

REALTEK

ALC5627

I²S/PCM STEREO DAC + MULTIPLE ANALOG INPUTS, HEADPHONE, AND MONO CLASS-D SPEAKER AMPLIFIER

DATASHEET

Rev. 1.2

26 June 2009

Track ID: JATR-1076-21



Realtek Semiconductor Corp.

No. 2, Innovation Road II, Hsinchu Science Park, Hsinchu 300, Taiwan

Tel.: +886-3-578-0211. Fax: +886-3-577-6047

www.realtek.com

COPYRIGHT

©2009 Realtek Semiconductor Corp. All rights reserved. No part of this document may be reproduced, transmitted, transcribed, stored in a retrieval system, or translated into any language in any form or by any means without the written permission of Realtek Semiconductor Corp.

DISCLAIMER

Realtek provides this document “as is”, without warranty of any kind. Realtek may make improvements and/or changes in this document or in the product described in this document at any time. This document could include technical inaccuracies or typographical errors.

TRADEMARKS

Realtek is a trademark of Realtek Semiconductor Corporation. Other names mentioned in this document are trademarks/registered trademarks of their respective owners.

USING THIS DOCUMENT

This document is intended for the hardware and software engineer’s general information on the Realtek ALC5627 Audio DAC IC.

Though every effort has been made to ensure that this document is current and accurate, more information may have become available subsequent to the production of this guide.

REVISION HISTORY

Revision	Release Date	Summary
1.0	2008/11/07	Preliminary version.
1.1	2008/12/24	First release.
1.2	2009/06/26	Revised Figure 3, page 6. Revised Table 3, page 7. Revised Figure 20, page 41. Revised section 11 Mechanical Dimensions, page 42. Revised Table 50 Ordering Information, page 43.

Table of Contents

1. GENERAL DESCRIPTION	1
2. FEATURES	2
3. SYSTEM APPLICATIONS	3
4. BLOCK DIAGRAM	4
4.1. FUNCTION BLOCK.....	4
4.2. AUDIO MIXER PATH.....	5
5. PIN ASSIGNMENTS	6
5.1. GREEN PACKAGE AND VERSION IDENTIFICATION.....	6
6. PIN DESCRIPTION	7
6.1. DIGITAL I/O.....	7
6.2. ANALOG I/O.....	7
6.3. FILTER/REFERENCE.....	7
6.4. POWER/GROUND.....	8
6.5. NOT CONNECTED.....	8
7. FUNCTIONAL DESCRIPTION	9
7.1. POWER.....	9
7.2. RESET.....	9
7.2.1. <i>Power-On Reset (POR)</i>	9
7.3. CLOCKING.....	10
7.4. I ² C CONTROL INTERFACE.....	11
7.4.1. <i>Addressing Setting</i>	11
7.4.2. <i>Complete Data Transfer</i>	11
7.4.3. <i>Odd-Addressed Register Access</i>	12
7.5. DIGITAL DATA INTERFACE.....	12
7.5.1. <i>I²S/PCM Interface</i>	12
7.6. ANALOG SIGNAL PATH.....	14
7.6.1. <i>Line Input</i>	14
7.6.2. <i>Auxiliary Input</i>	14
7.6.3. <i>Speaker Output</i>	15
7.6.4. <i>Headphone Output</i>	15
7.6.5. <i>Stereo DAC</i>	16
7.6.6. <i>Headphone Mixer</i>	16
7.6.7. <i>Speaker Mixer</i>	16
7.7. POWER MANAGEMENT.....	17
7.8. GPIO AND JACK DETECT (JD) FUNCTION.....	17
7.8.1. <i>GPIO Interface</i>	17
7.8.2. <i>Interrupt</i>	17
7.9. HEADPHONE DEPOP.....	17
7.10. AVC CONTROL.....	18
7.11. ZERO CROSS.....	19
8. REGISTER DESCRIPTIONS	20
8.1. REG-00H: SOFTWARE RESET.....	20
8.2. REG-02H: SPEAKER OUTPUT VOLUME.....	20
8.3. REG-04H: HEADPHONE OUTPUT VOLUME.....	20
8.4. REG-08: AUXILIARY INPUT VOLUME.....	21

8.5.	REG-0A: LINE INPUT VOLUME	21
8.6.	REG-0C: STEREO DAC DIGITAL VOLUME	22
8.7.	REG-16H: SOFT DELAY VOLUME CONTROL TIME	22
8.8.	REG-1CH: OUTPUT MIXER CONTROL	23
8.9.	REG-34H: STEREO AUDIO SERIAL DATA PORT CONTROL	24
8.10.	REG-38H: STEREO DAC CLOCK CONTROL	24
8.11.	REG-3AH: POWER MANAGEMENT ADDITION 1	25
8.12.	REG-3CH: POWER MANAGEMENT ADDITION 2	26
8.13.	REG-3EH: POWER MANAGEMENT ADDITION 3	27
8.14.	REG-40H: GENERAL PURPOSE CONTROL	27
8.15.	REG-42H: GLOBAL CLOCK CONTROL	28
8.16.	REG-44H: PLL M/N CODE CONTROL	29
8.17.	REG-48H: INTERNAL STATUS AND IRQ CONTROL	29
8.18.	REG-4AH: GPIO CONTROL	30
8.19.	REG-5AH: JACK DETECT CONTROL	30
8.20.	REG-5CH: MISC1 CONTROL	31
8.21.	REG-5EH: MISC2 CONTROL	32
8.22.	REG-68H: AVC CONTROL	32
8.23.	REG-6AH: PRIVATE REGISTER INDEX	33
8.24.	REG-6CH: PRIVATE REGISTER DATA	33
8.25.	PRIVATE-21H: AUTO VOLUME CONTROL REGISTER 1	33
8.26.	PRIVATE-22H: AUTO VOLUME CONTROL REGISTER 2	33
8.27.	PRIVATE-23H: AUTO VOLUME CONTROL REGISTER 3	34
8.28.	PRIVATE-24H: AUTO VOLUME CONTROL REGISTER 4	34
8.29.	PRIVATE-25H: AUTO VOLUME CONTROL REGISTER 5	34
8.30.	PRIVATE-39H: DIGITAL INTERNAL REGISTER	35
8.31.	REG-7CH: VENDOR ID 1	35
8.32.	REG-7EH: VENDOR ID 2	35
9.	ELECTRICAL CHARACTERISTICS	36
9.1.	DC CHARACTERISTICS	36
9.1.1.	<i>Absolute Maximum Ratings</i>	36
9.1.2.	<i>Recommended Operating Conditions</i>	36
9.1.3.	<i>Static Characteristics</i>	36
9.2.	ANALOG PERFORMANCE CHARACTERISTICS	37
9.3.	AC TIMING CHARACTERISTICS	38
9.3.1.	<i>I²C Control Interface</i>	38
9.3.2.	<i>I²S/PCM Interface Master Mode</i>	39
9.3.3.	<i>I²S/PCM Interface Slave Mode</i>	40
10.	APPLICATION CIRCUITS	41
11.	MECHANICAL DIMENSIONS	42
12.	ORDERING INFORMATION	43

List of Tables

TABLE 1. DIGITAL I/O PINS	7
TABLE 2. ANALOG I/O PINS	7
TABLE 3. FILTER/REFERENCE PINS	7
TABLE 4. POWER/GROUND PINS	8
TABLE 5. NOT CONNECTED PINS	8
TABLE 6. RESET OPERATION	9
TABLE 7. POWER-ON RESET VOLTAGE	9
TABLE 8. PLL CLOCK SETTING TABLE FOR 48K (UNIT: MHz)	10
TABLE 9. PLL CLOCK SETTING TABLE FOR 44.1K (UNIT: MHz)	10
TABLE 10. MX00 SOFTWARE RESET	20
TABLE 11. MX02 SPEAKER OUTPUT VOLUME	20
TABLE 12. MX04 HEADPHONE OUTPUT VOLUME	20
TABLE 13. MX08 AUXILIARY INPUT VOLUME	21
TABLE 14. MX0A LINE INPUT VOLUME	21
TABLE 15. MX0C STEREO DAC DIGITAL VOLUME	22
TABLE 16. MX16 SOFT DELAY VOLUME CONTROL TIME	22
TABLE 17. MX1C OUTPUT MIXER CONTROL	23
TABLE 18. MX34 STEREO AUDIO SERIAL DATA PORT CONTROL	24
TABLE 19. MX38 STEREO DAC CLOCK CONTROL	24
TABLE 20. MX3A POWER MANAGEMENT ADDITION 1	25
TABLE 21. HEADPHONE DRIVE ABILITY SELECTION	25
TABLE 22. MX3C POWER MANAGEMENT ADDITION 2	26
TABLE 23. MX3E POWER MANAGEMENT ADDITION 3	27
TABLE 24. MX40 GENERAL PURPOSE CONTROL	27
TABLE 25. MX42 GLOBAL CLOCK CONTROL	28
TABLE 26. MX44 PLL M/N CODE CONTROL	29
TABLE 27. MX48 INTERNAL STATUS AND IRQ CONTROL	29
TABLE 28. MX4A GPIO CONTROL	30
TABLE 29. MX5A JACK DETECT CONTROL	30
TABLE 30. MX5C MISC1 CONTROL	31
TABLE 31. MX5E MISC2 CONTROL	32
TABLE 32. MX68 AVC CONTROL	32
TABLE 33. MX6A PRIVATE REGISTER INDEX	33
TABLE 34. MX6C PRIVATE REGISTER DATA	33
TABLE 35. PR21 AUTO VOLUME CONTROL REGISTER 1	33
TABLE 36. PR22 AUTO VOLUME CONTROL REGISTER 2	33
TABLE 37. PR23 AUTO VOLUME CONTROL REGISTER 3	34
TABLE 38. PR24 AUTO VOLUME CONTROL REGISTER 4	34
TABLE 39. PR25 AUTO VOLUME CONTROL REGISTER 5	34
TABLE 40. PR39 DIGITAL INTERNAL REGISTER	35
TABLE 41. MX7C VENDOR ID 1	35
TABLE 42. MX7E VENDOR ID 2	35
TABLE 43. ABSOLUTE MAXIMUM RATINGS	36
TABLE 44. RECOMMENDED OPERATING CONDITIONS	36
TABLE 45. THRESHOLD VOLTAGE	36
TABLE 46. ANALOG PERFORMANCE CHARACTERISTICS	37
TABLE 47. I ² C CONTROL INTERFACE TIMING	38
TABLE 48. I ² S MASTER MODE TIMING	39
TABLE 49. I ² S SLAVE MODE TIMING	40
TABLE 50. ORDERING INFORMATION	43

List of Figures

FIGURE 1. BLOCK DIAGRAM.....	4
FIGURE 2. AUDIO MIXER PATH.....	5
FIGURE 3. PIN ASSIGNMENTS	6
FIGURE 4. DATA TRANSFER OVER I ² C CONTROL INTERFACE.....	11
FIGURE 5. WRITE WORD PROTOCOL.....	11
FIGURE 6. READ WORD PROTOCOL	11
FIGURE 7. PCM STEREO DATA MODE A FORMAT (SEL_I2S_DATA_FORMAT=10'B, CTRL_I2S_BCLK_POLARITY=0'B).....	12
FIGURE 8. PCM STEREO DATA MODE A FORMAT (SEL_I2S_DATA_FORMAT=10'B, CTRL_I2S_BCLK_POLARITY=1'B).....	13
FIGURE 9. PCM STEREO DATA MODE B FORMAT (SEL_I2S_DATA_FORMAT=11'B, CTRL_I2S_BCLK_POLARITY=0'B).....	13
FIGURE 10. I ² S DATA FORMAT (SEL_I2S_DATA_FORMAT=00'B).....	13
FIGURE 11. LEFT-JUSTIFIED DATA FORMAT (SEL_I2S_DATA_FORMAT=01'B, CTRL_I2S_BCLK_POLARITY=0'B).....	14
FIGURE 12. AVC BLOCK OF DAC MODULE.....	18
FIGURE 13. AVC BEHAVIOR	18
FIGURE 14. ZERO CROSS DISABLED WHEN OUTPUT MUTED.....	19
FIGURE 15. ZERO CROSS ENABLED WHEN OUTPUT MUTED.....	19
FIGURE 16. GLOBAL CLOCK CONTROL	28
FIGURE 17. I ² C CONTROL INTERFACE WAVEFORM.....	38
FIGURE 18. I ² S MASTER MODE WAVEFORM	39
FIGURE 19. I ² S SLAVE MODE WAVEFORM	40
FIGURE 20. APPLICATION CIRCUITS	41

1. General Description

The ALC5627 is a highly-integrated I²S/PCM interface audio DAC with multiple input/output ports, and is designed for multimedia handheld devices. It provides a Stereo Hi-Fi DAC for playback via the I²S/PCM interface.

To reduce component count, the ALC5627 can connect to:

- LINEIN_L/R stereo Single-Ended analog inputs that can be configured to Differential analog input
- AUXIN_L/R stereo Single-Ended analog inputs that can be configured to Differential analog input
- Single-Ended stereo Headphone
- MONO Bridge-Tied Load (BTL) Speaker

Multiple analog input and output pins are provided for seamless integration with analog connected wireless communication devices. Differential input/output connections efficiently reduce noise interference, providing better sound quality. Class-D amplifiers can be directly connected to an up to 2.4 Watt Mono Speaker, removing the need for an additional amplifier, further cutting both cost and required board area.

The ALC5627 AVDD operates at supply voltages from 2.3V to 3.6V. DCVDD and DBVDD operate from 1.8 to 3.6V, and SPKVDD operates from 2.3 to 5V. To extend battery life, each section of the ALC5627 can be powered down individually under software control. Leakage current in maximum power saving state is less than 10 μ A.

The ALC5627 is available in a 5x5mm ‘Green’ QFN-32 package, making it ideal for use in handheld portable systems.

2. Features

- Digital-to-Analog Converter with 100dB SNR, and –86dB THD+N at 3.3V
- Two analog stereo single-ended or one stereo differential input, LINEIN_L/R and AUXIN_L/R
- BTL (Bridge-Tied Load) Class-D Speaker output with on-chip 2.4W speaker driver (SPKVDD=5V, 4Ω load)
- Supports playback soft-mute, digital volume, digital AVC
- Stereo headphone output with on-chip 45mW headphone driver (AVDD=3.3V, 16Ω load)
- Supports pop noise suppression with external capacitor
- Speaker amplifier power supplies from 2.3V to 5V
- Digital power supplies from 1.8V to 3.6V
- Analog power and headphone power supplied from 2.3V to 3.6V
- Power management and enhanced power saving
- Internal PLL can receive wide range of clock input
- Supports sampling rate 8KHz ~ 192KHz
- Supports I²C control interface
- Supports three programmable data interfaces
 - ◆ I²S, left justified, or DSP
 - ◆ 16/20/24 bits word length
 - ◆ Master or Slave clock mode
- 32-pin QFN 5x5mm package for small footprint

3. System Applications

- Portable media player
- MP3 player
- Bluetooth A2DP (Advanced Audio Distribution Profile) headsets
- Portable Navigation Device (PND)

4. Block Diagram

4.1. Function Block

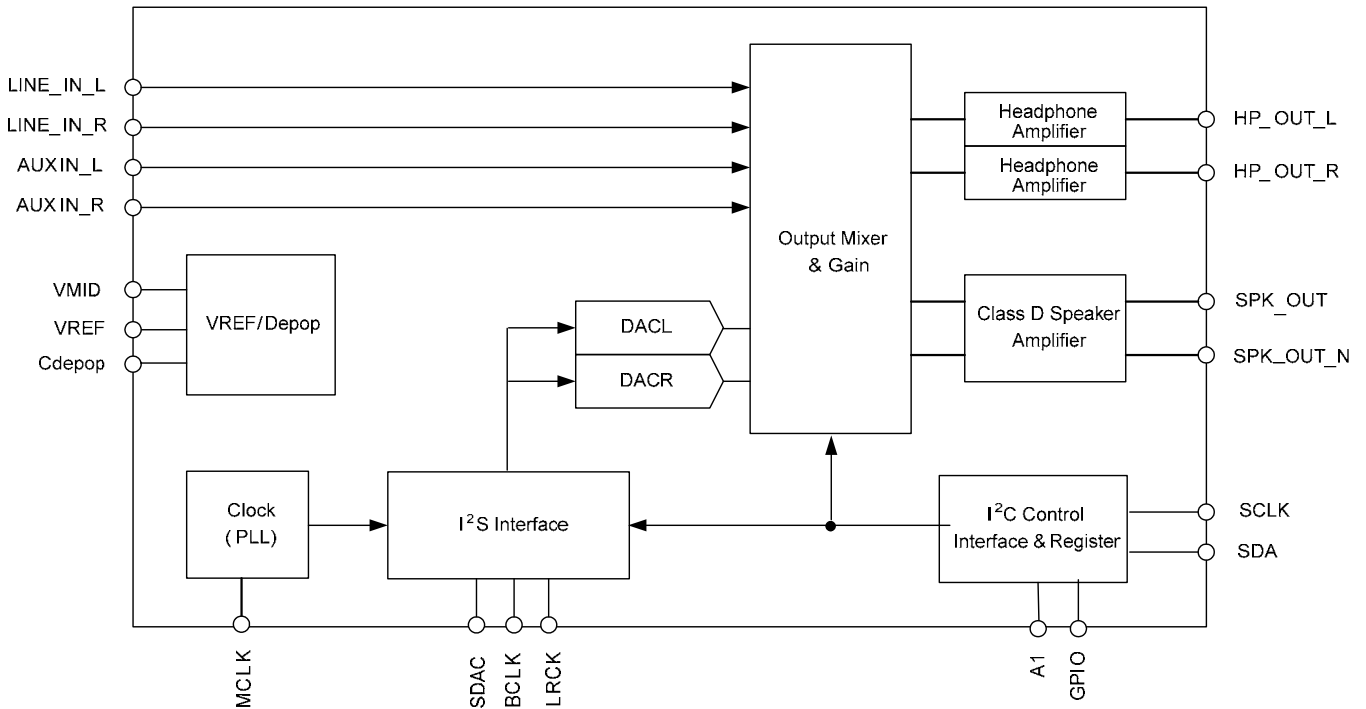


Figure 1. Block Diagram

4.2. Audio Mixer Path

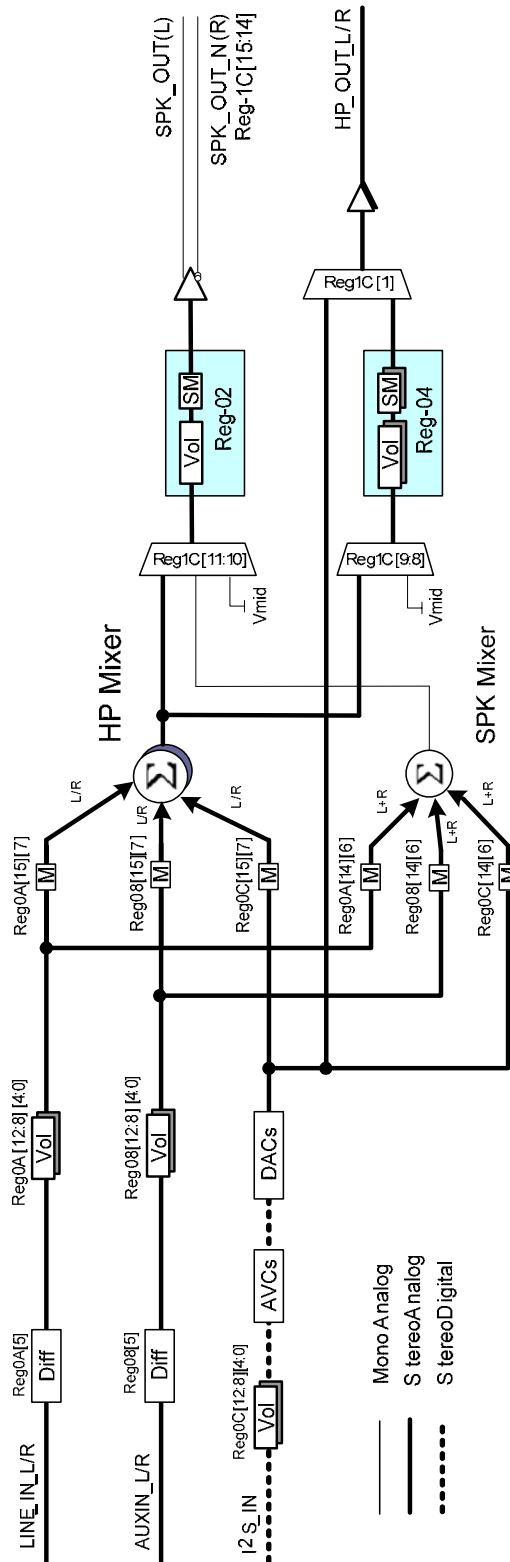


Figure 2. Audio Mixer Path

5. Pin Assignments

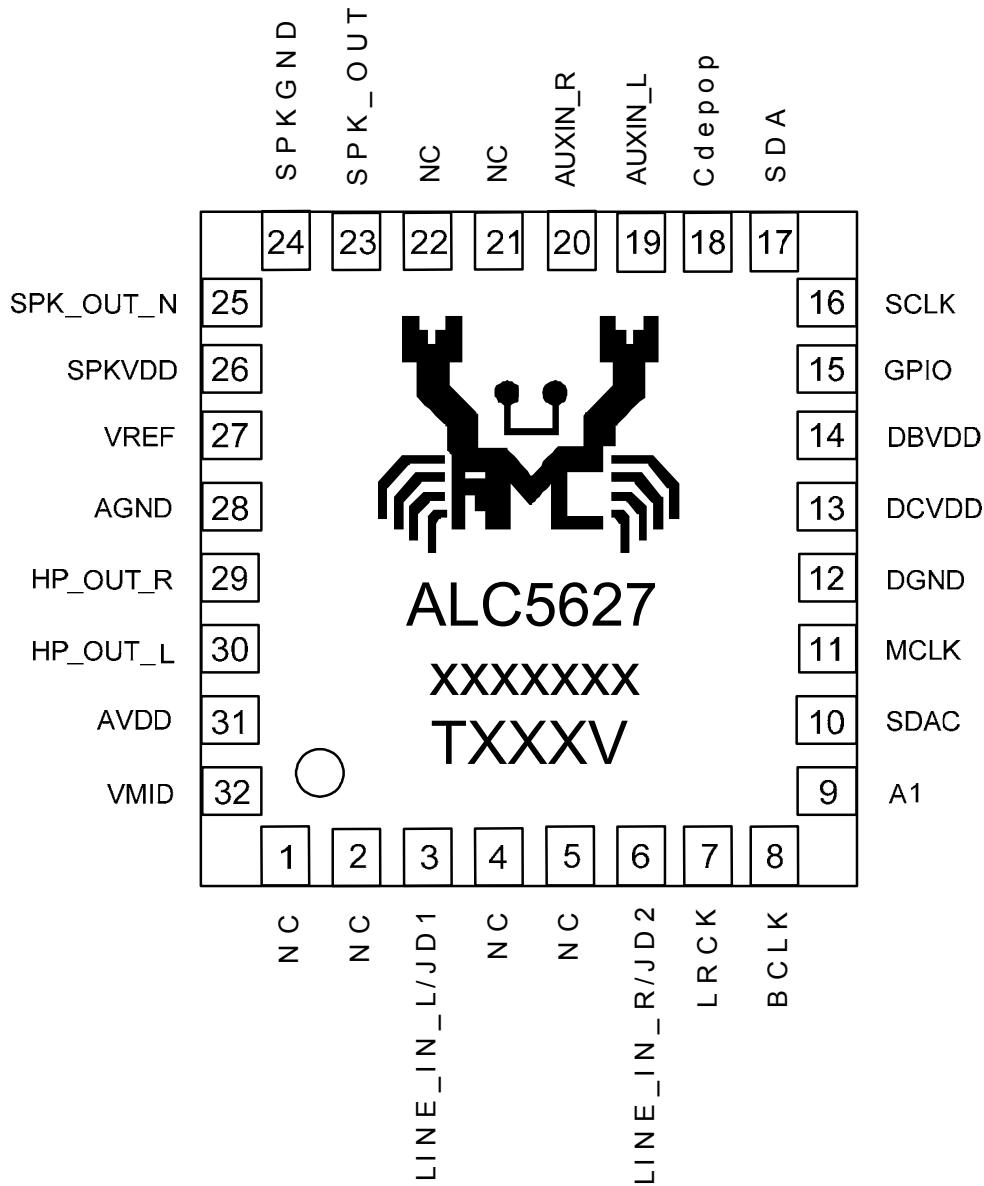


Figure 3. Pin Assignments

5.1. Green Package and Version Identification

Green package is indicated by a ‘G’ in the location marked ‘T’ in Figure 3.

6. Pin Description

6.1. Digital I/O

Table 1. Digital I/O Pins

Pin Name	Type	Pin No	Description	Characteristic Definition
LRCK	IO	7	Digital Audio Input Frame Sync	Schmitt Trigger Input, Output
BCLK	IO	8	Digital Audio Serial Clock	Schmitt Trigger Input, Output
A1	I	9	I ² C Address A1, Must Be Directly Connected to VCC or GND	-
SDAC	I	10	Digital Audio Serial Data Input	Schmitt Trigger Input
MCLK	I	11	Main Clock Input	Schmitt Trigger Input
GPIO	IO	15	General Purpose I/O, IR Remote Output	Schmitt Trigger Input, Output
SCLK	I	16	I ² C: Clock Input	Schmitt Trigger Input
SDA	IO	17	I ² C: Data Input and Output	Schmitt Trigger Input, Output

6.2. Analog I/O

Table 2. Analog I/O Pins

Pin Name	Type	Pin No	Description	Characteristic Definition
LINE_IN_L/JD1	I	3	Line Input Left Channel/Jack Detect 1	Analog Input
LINE_IN_R/JD2	I	6	Line Input Right Channel/Jack Detect 2	Analog Input
AUXIN_L	I	19	Aux Input Left Channel	Analog Input
AUXIN_R	I	20	Aux Input Right Channel	Analog Input
SPK_OUT	O	23	Speaker Out Left Channel or Positive Out	Speaker Amplifier Output
SPK_OUT_N	O	25	Speaker Out Right Channel, Negative Right Channel, or Negative Output	Speaker Amplifier Output
HP_OUT_R	O	29	Headphone Out Left Channel	Analog Amplifier Output
HP_OUT_L	O	30	Headphone Out Right Channel	Analog Amplifier Output

6.3. Filter/Reference

Table 3. Filter/Reference Pins

Pin Name	Type	Pin No	Description	Characteristic Definition
Cdepop	IO	18	De-Pop Capacitor, Connect 1 μ F Capacitor to Analog GND	Capacitor to Analog Ground
VREF	O	27	Reference Voltage Output, Connect 4.7 μ F Capacitor to Analog GND	Capacitor to Analog Ground
VMID	O	32	Reference Voltage Output, Connect 4.7 μ F Capacitor to Analog GND	Capacitor to Analog Ground

6.4. Power/Ground

Table 4. Power/Ground Pins

Pin Name	Type	Pin No	Description	Characteristic Definition
DGND	P	12	Digital GND	-
DCVDD	P	13	Digital VDD	1.8V~3.6V (Core)
DBVDD	P	14	Digital VDD	1.8V~3.6V (IO Buffer)
SPKGND	P	24	Speaker Amplifier GND	-
SPKVDD	P	26	Speaker Amplifier VDD	2.3V~5V
AGND	P	28	Analog GND	-
AVDD	P	31	Analog VDD	2.3V~3.6V
SPKGND	P	Exposed Pad	Speaker Amplifier GND Must be Connected to System DGND	-

6.5. Not Connected

Table 5. Not Connected Pins

Pin Name	Type	Pin No	Description	Characteristic Definition
NC	-	1, 2, 4, 5, 21, 22	Not Connected	-

7. Functional Description

7.1. Power

The ALC5627 has many power blocks. The power supplier limit conditions are $DBVDD \geq DCVDD$ and $SPKVDD \geq AVDD \geq DCVDD$. To prevent pop noise, we suggest that you power on DCVDD before powering on AVDD.

7.2. Reset

There are two type of reset operation: Power-On-Reset (POR) and Register reset.

Table 6. Reset Operation

Reset Type	Trigger Condition	Codec Response
POR	Monitor Digital Power Supply Voltage Reach V_{POR}	Reset all hardware logic and all registers to default values.
Register Reset	Write Reg00	Reset all registers to default values.

7.2.1. Power-On Reset (POR)

When power is on, DCVDD passes through the V_{POR} band of the ALC5627 ($V_{PORH} \sim V_{PORL}$). A Power-On Reset (POR) will generate an internal reset signal (POR reset 'LOW') to reset the whole chip.

Table 7. Power-On Reset Voltage

Symbol	Min	Typical	Max	Unit
V_{POR_ON}	1.0	-	1.6	V
V_{POR_OFF}	-	1.3	-	V

Note: The V_{POR_OFF} must below V_{POR_ON} .

7.3. Clocking

The ALC5627 supports an external oscillator as internal system clock. The audio system clock can be selected from MCLK or PLL. If an external oscillator is applied, 256/384/512/768Fs is required from MCLK. If using internal PLL as audio internal clock, set the PLL output to 512Fs.

A Phase-Lock Loop (PLL) is used to provide a flexible input clock from 2.048MHz (64Fs of 32KHz) to 40MHz. Typical choices are 2.048MHz, 4.096MHz, and 13MHz. The source of the PLL can be set to MCLK or BCLK by setting sel_pll_sour (Reg42[14]). F/W can setup PLL to output the desired frequency as the system clock.

The PLL transmit formula is: $F_{OUT} = (MCLK * (N+2)) / ((M+2) * (K+2))$ (Typical K=2)

Table 8. PLL Clock Setting Table for 48K (Unit: MHz)

MCLK	M Code	N Code	Fvco	K Code	Fout
2.048	0	94	98.304	2	24.576
3.6864	1	78	98.304	2	24.576
4.096	0	46	98.304	2	24.576
12	14	129	98.25	2	24.5625
13	14	119	98.3125	2	24.57812
15.36	3	30	98.304	2	24.576
16	5	41	98.28571	2	24.57143
19.2	15	85	98.25882	2	24.5647
19.68	0	8	98.4	2	24.6

Table 9. PLL Clock Setting Table for 44.1K (Unit: MHz)

MCLK	M Code	N Code	Fvco	K Code	Fout
2.048	0	86	90.112	2	22.528
3.6864	0	47	90.3168	2	22.5792
4.096	9	241	90.48436	2	22.62109
12	15	126	90.35294	2	22.58824
13	15	116	90.23529	2	22.55882
15.36	15	98	90.35294	2	22.58824
16	12	77	90.28571	2	22.57143
19.2	15	78	90.35294	2	22.58824
19.68	15	76	90.29647	2	22.57412

7.4. I²C Control Interface

I²C is a 2-wire half-duplex serial communication interface, supporting only slave mode. The host must support MCLK during register access.

7.4.1. Addressing Setting

(MSB)	BIT						(LSB)
0	0	1	1	0	0	A1	RW

Note: A1 must be directly connected to VCC or GND.

7.4.2. Complete Data Transfer

Data Transfer over I²C Control Interface

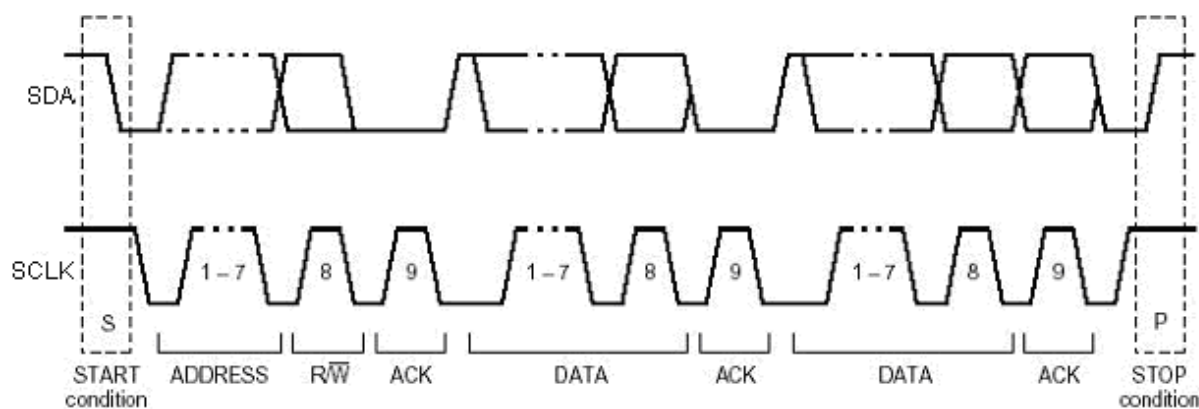


Figure 4. Data Transfer Over I²C Control Interface

Write WORD Protocol

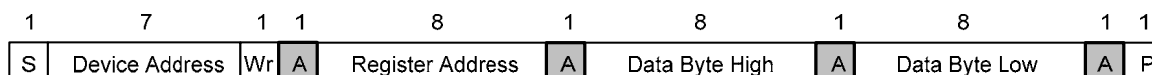
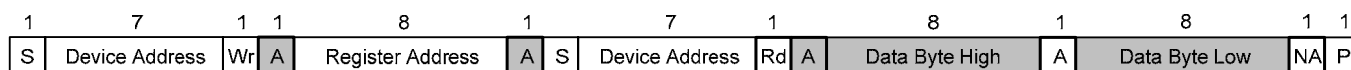


Figure 5. Write WORD Protocol

Read WORD Protocol



S: Start Condition

A: 0 for ACK, 1 for NACK

Slave Address: 7-bit Device Address

Data Byte: 16-bit Mixer data

Wr: 0 for Write Command

□: Master-to-Slave

Rd: 1 for Read Command

■: Slave-to-Master

Command Code: 8-bit Register Address

Figure 6. Read WORD Protocol

7.4.3. Odd-Addressed Register Access

The ALC5627 will return '0000h' when odd-addressed and unimplemented registers are read.

7.5. Digital Data Interface

7.5.1. I²S/PCM Interface

The Digital to Analog Converter (DAC) serial data is input via the SDAC pin. The serial data is shifted in on the rising edge of BCLK (ctrl_i2s_bclk_polarity=0'b) or the falling edge (ctrl_i2s_bclk_polarity=1'b). The Left/Right Clock (LRCK) signal is the frame sync signal. Left/Right data can be swapped by en_dac_lrck_swap.

The ALC5627 I²S/PCM interface can be configured as Master mode or Slave mode. In Master mode (sel_i2s_mode=0'b), BCLK and LRCK are configured as output. In Slave mode (sel_i2s_mode=1'b), BCLK and LRCK are configured as input. The MCLK provides BCLK synchronized clock externally as Stereo System Clock.

The ALC5627 supports three independent I²S/PCM interfaces for Stereo Audio data formats:

- PCM/DSP mode
- Left justified mode
- I²S mode

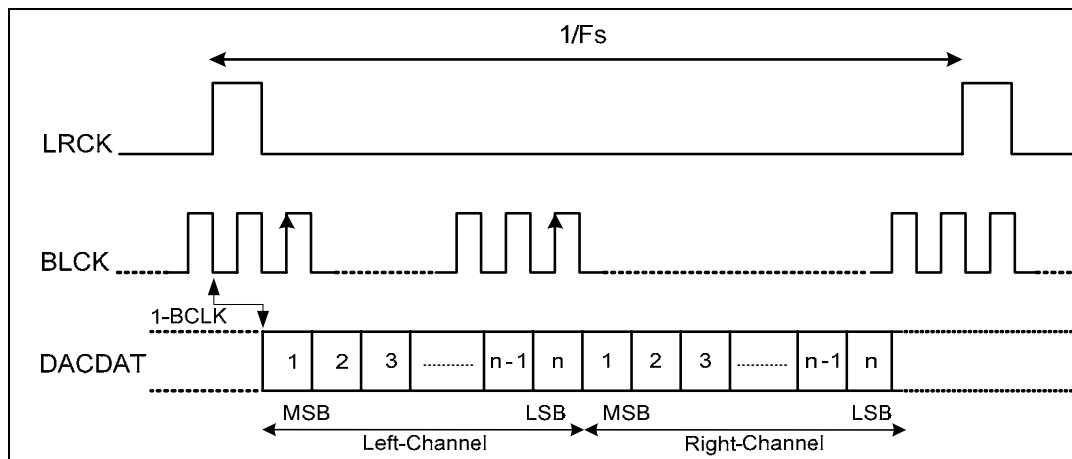


Figure 7. PCM Stereo Data Mode A Format-1 (sel_i2s_data_format=10'b, ctrl_i2s_bclk_polarity=0'b)

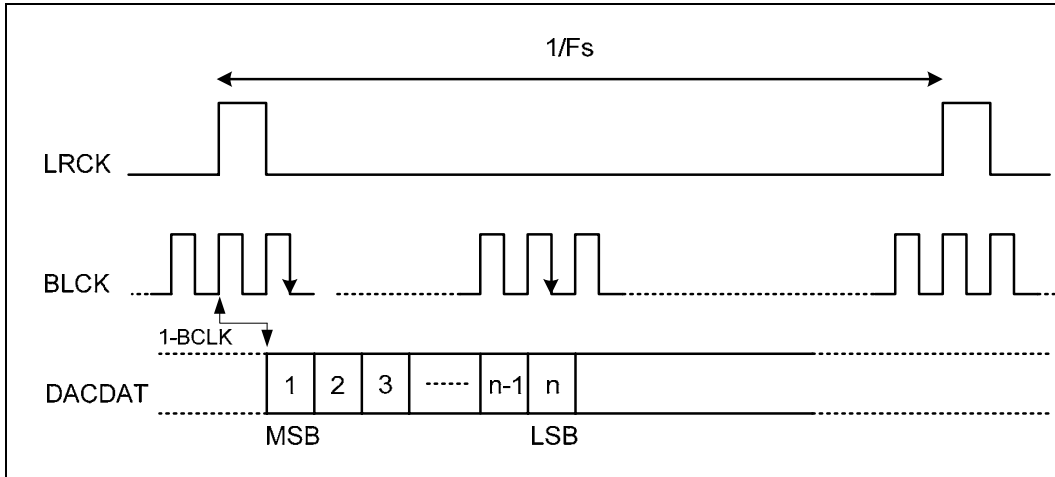


Figure 8. PCM Stereo Data Mode A Format-2 (sel_i2s_data_format=10'b, ctrl_i2s_bclk_polarity=1'b)

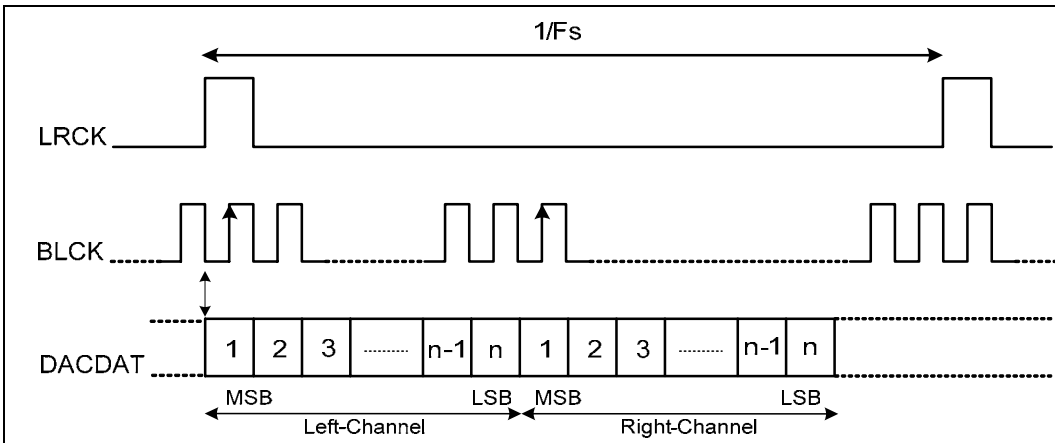


Figure 9. PCM Stereo Data Mode B Format (sel_i2s_data_format=11'b, ctrl_i2s_bclk_polarity=0'b)

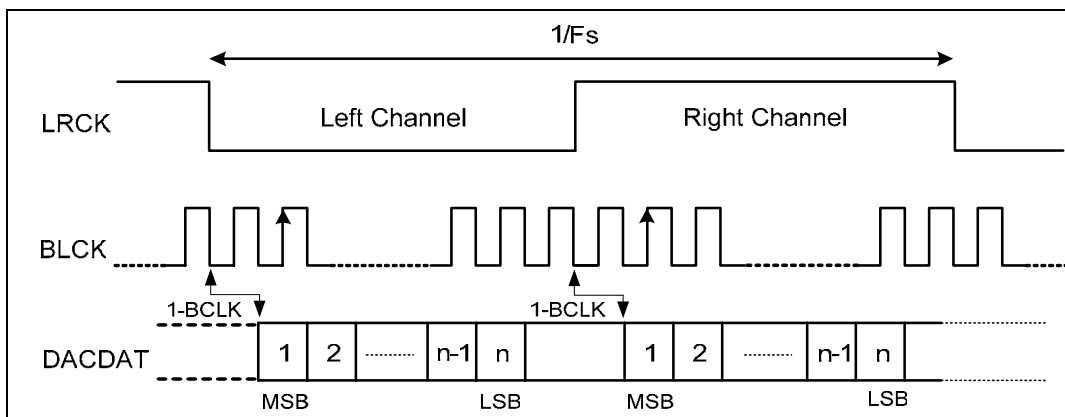


Figure 10. I²S Data Format (sel_i2s_data_format=00'b)

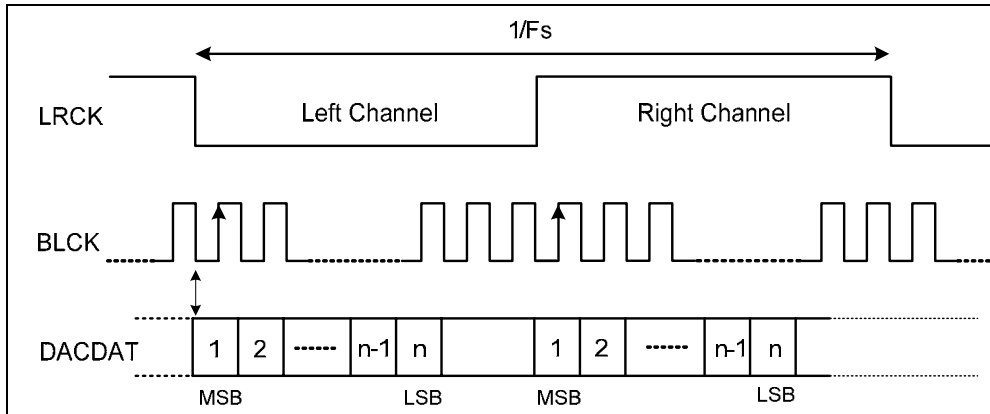


Figure 11. Left-Justified Data Format (`sel_i2s_data_format=01'b`, `ctrl_i2s_bclk_polarity=0'b`)

7.6. Analog Signal Path

7.6.1. Line Input

LINE_IN_L and LINE_IN_R provide 2-channel stereo single-ended inputs that can be mixed into any analog output mixer. In addition, LINE_IN_L and LINE_IN_R can be configured as mono channel differential input by `en_li_diff`, which can only output to the HP mixer.

- LINE_IN_L/R volume and mute are controlled by Reg0A.
- `sel_li_l_vol` and `sel_li_r_vol` can be used to power down LINE_IN volume control.
- LINE_IN_L is pin shared with JD1 and can be configured by `sel_jd_source`.
- LINE_IN_R is pin shared with JD2 and can be configured by `sel_jd_source`.

7.6.2. Auxiliary Input

AUXIN_L and AUXIN_R provide 2-channel stereo single-ended input that can be mixed into any analog output mixer. In addition, AUXIN_L and AUXIN_R can be configured as mono channel differential input by `en_auxi_diff`, which can only output to the HP mixer.

- AUXIN_L/R volume and mute are controlled by Reg08.
- `sel_auxi_l_vol` and `sel_auxi_r_vol` can be used to power down AUXIN_L/R volume control.

7.6.3. Speaker Output

SPK_OUT provides one-channel differential output and can be configured to dual single-ended output.

The SPK_OUT source is selected in sel_spk_vol_in as below:

- No Input (V_{MID})
- Headphone mixer
- Speaker mixer

The ALC5627 Speaker-out supports a Class-D type amplifier. As the power voltage of SPKVDD is usually higher than AVDD, it must set Class-D V_{MID} ratio at spk_ampd_ratio_clsd in order to extend the output level.

The SPK_OUT volume and mute are controlled by Reg02. Reg3E[12]: pow_spk_vol can be used to power down Speaker output. Reg3C[14]: pow_clsd is used to power down the Class-D amplifier.

SPK_OUT supports ‘Soft Volume Delay Mute’ and ‘Zero-Crossing Detect’ functions which can be enabled by Reg5C[15]:en_sp_l_dezero, Reg5C[14]:en_sp_l_softvol, Reg5C[13]:en_sp_r_dezero, and Reg5C[12]:en_sp_r_softvol.

7.6.4. Headphone Output

HP_OUT_L/R provides 2-channel single-ended output. The source of HP_OUT_L/R can be selected from sel_hp_l_in & sel_hp_r_in as below.

- V_{MID}
- Headphone mixer

The HP_OUT_L/R volume and mute are controlled by Reg04. Besides, Reg3E[10]: pow_hp_l_vol and Reg3E[9]: pow_hp_r_vol can be used to power down the HP output volume.

HP_OUT supports ‘Soft Volume Delay Mute’ and ‘Zero-Crossing Detect’ functions which can be enabled by Reg5C[11]:en_hp_l_dezero, Reg5C[10]:en_hp_l_softvol, Reg5C[9]:en_hp_r_dezero, and Reg5C[8]:en_hp_r_softvol.

HP_OUT_L/R source can be selected from DAC Stereo output (Reg1C[1]: en_dac_hp) for high quality performance playback.

7.6.5. Stereo DAC

The stereo DAC can be configured to different sample rates by driving 256Fs/384Fs into audio SYSCLK, and individual set to `sel_i2s_bclk_ms` (Reg38[12]).

`dac_l_vol` & `dac_r_vol` can be used to control the DAC output volume.

7.6.6. Headphone Mixer

The headphone (HP) mixer is used to drive stereo output, including `HP_OUT_L/R` and `SPK_OUT (P/N)` (`SPK_OUT_L/R`).

The following signals can be mixed into the headphone mixer:

- `LINE_IN_L/R` (Controlled by Reg0A)
- `AUXIN_L/R` (Controlled by Reg08)
- Stereo DAC output (Controlled by Reg0C)

When the `SPK_OUT` source is from HP mixer, `SPK_OUT` can be configured to stereo single-ended or mono differential output by setting `spkon_source_clsd` (Reg1C[15:14]). The headphone mixer can be powered down by setting `pow_mix_hp_l` (Reg3C[5]) & `pow_mix_hp_r` (Reg3C[4]).

7.6.7. Speaker Mixer

The speaker (SPK) mixer is used to drive `SPK_OUT`.

The following signals can be mixed into the speaker mixer:

- `LINE_IN_L/R` (Controlled by Reg0A)
- `AUXIN_L/R` (Controlled by Reg08)
- Stereo DAC output (Controlled by Reg0C)

Note: The speaker mixer can be powered down by setting `pow_mix_spk` (Reg3C[3]).

7.7. Power Management

The ALC5627 supports detailed Power Management control registers within Reg3A, 3C, and 3E. Each particular block will be active only when individual bits of Reg3A, 3C, and 3E are set to enable.

7.8. GPIO and Jack Detect (JD) Function

7.8.1. GPIO Interface

The ALC5627 supports one GPIO that can be configured as Input/Output by Reg4A[3]: sel_gpio_io. When GPIO is configured as Input, The status will be indicated in Reg4A[0]:status_gpio_in. When GPIO is configured as Output, Reg4A[2]:sel_gpio_o_logic is used to drive GPIO to High (1'b) or Low (0'b), and the status can be read in Reg4A[0]:status_gpio_in.

GPIO input polarity can be changed by setting Reg4A[1]:sel_polarity_gpio, and setting Reg48 in order to generate the interrupt (IRQ).

The ALC5627 supports Jack Detect (JD1/JD2/GPIO) to switch ON/OFF the Analog Output (Headphone Out and Speaker Out) and Mute (VMID). JD1 and JD2 can be pin-shared from LINE_IN_L/R, and are used to enable specified Analog Output configured in the Reg5A Jack Detect Control Register.

In addition, GPIO can be configured to PLLOUT or IRQ_Output by setting Reg4A.

7.8.2. Interrupt

Independent of GPIOs, some Internal Event Signals (over-temperature or over-current) are handled the same as GPIO input, and can be treated as Interrupts sources. The application of an Internal Event Signal is the same as GPIO.

7.9. Headphone Depop

The ALC5627 provides a headphone depop mechanism in order to eliminate the pop noise of headphone out. An external 1 μ F Capacitor is required in this application. Refer to the ALC5627 Application Notes (separate document) for details.

7.10. AVC Control

The Automatic Volume Control (AVC) function dynamically adjusts the input signal quantized by the DAC to an expected sound level by setting THmax and THmin.

When the average level of input signal quantized by the DAC is higher than THmax, the AVC will decrease the selected analog gain to attenuate the quantized Pulse Code Modulation (PCM) signal to a lower amplitude than THmax. When the average level of input signal quantized by DAC is lower than THmin, the AVC will increase the selected analog gain to amplify the input signal. The quantized PCM signal is then set to a higher amplitude than THmin. The quantized PCM has an average level between THmin and THmax.

In order to avoid outputting a strong amplified signal when the gain detector input level is transiting from a very small signal to a normal signal, the AVC block will limit the selected analog gain to unit gain (=0dB) when the input level of the gain detector is lower than THnonact.

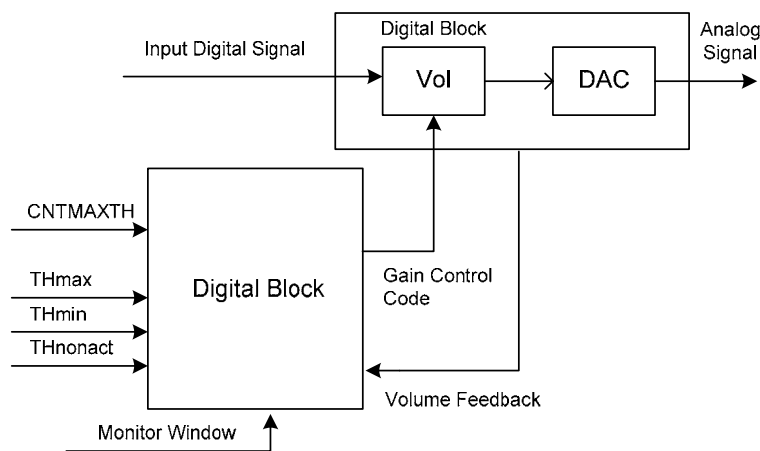


Figure 12. AVC Block of DAC Module

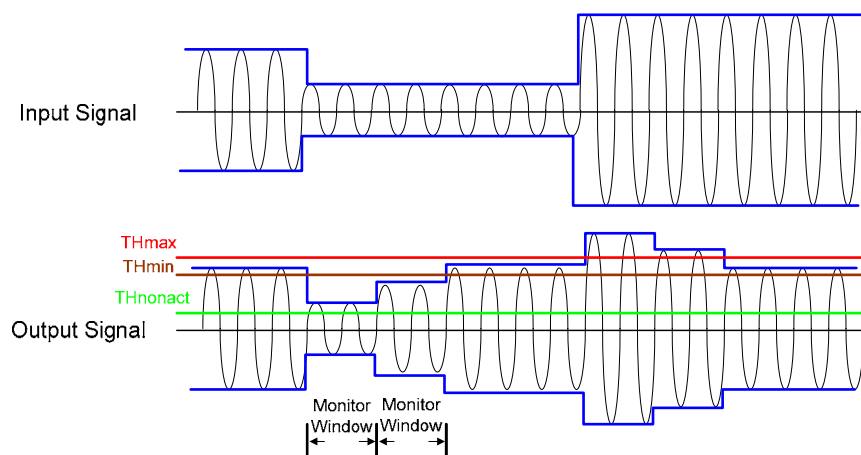


Figure 13. AVC Behavior

7.11. Zero Cross

When Zero-Cross detect is enabled, the ALC5627 will change each output volume or mute only if the signal swing crosses the zero point. This function can avoid pop noise when volume is changed or muted.

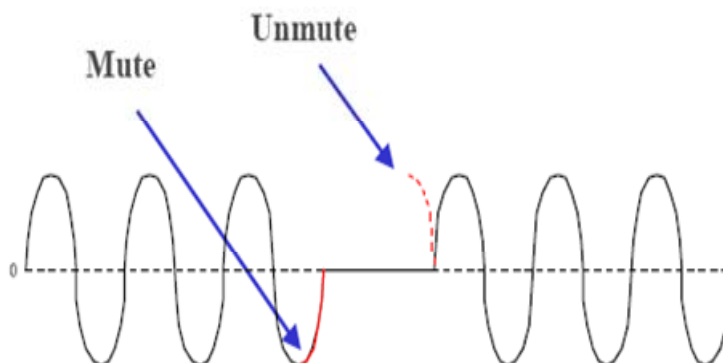


Figure 14. Zero Cross Disabled when Output Muted

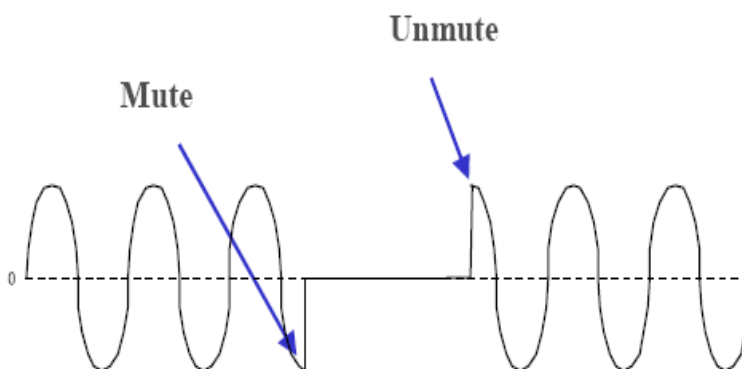


Figure 15. Zero Cross Enabled when Output Muted

8. Register Descriptions

8.1. Reg-00h: Software Reset

Default: 0003'h

Table 10. MX00 Software Reset

Name	Bits	RW	Default	Description
id	15:8	R	00'h	Chip ID
Reserved	7:0	R	03'h	Reserved

8.2. Reg-02h: Speaker Output Volume

Default: 9F9F'h

Table 11. MX02 Speaker Output Volume

Name	Bits	RW	Default	Description
mute_sp_l	15	RW	1'h	Mute Speaker Output Positive/Negative 0: On 1: Mute (-∞ dB)
Reserved	14:13	R	0'h	Reserved
sel_sp_l_vol	12:8	RW	1F'h	SPK Left Output Volume (SPKL[4..0]) in 1.5dB Steps
mute_sp_r	7	RW	1'h	Mute SPK Right Channel Reg1C[15:14] = 01'b, Mute by Reg02[15] 0: On 1: Mute (-∞ dB)
Reserved	6:5	R	0'h	Reserved
sel_sp_r_vol	4:0	RW	1F'h	SPK Right Output Volume (SPKR[4..0]) in 1.5dB Steps <i>Note: For SPKR/SPKL: 00h: 0dB attenuation. 1Fh: 46.5dB attenuation.</i>

8.3. Reg-04h: Headphone Output Volume

Default: 9F9F'h

Table 12. MX04 Headphone Output Volume

Name	Bits	RW	Default	Description
mute_hp_l	15	RW	1'h	Mute Left Headphone Amp Control 0: On 1: Mute Left Channel (-∞ dB)
Reserved	14:13	R	0'h	Reserved
sel_hp_l_vol	12:8	RW	1F'h	Headphone Output Left Volume (HPL[4..0]) in 1.5dB Steps
mute_hp_r	7	RW	1'h	Mute Right Headphone Amp Control 0: On 1: Mute Left Channel (-∞ dB)
Reserved	6:5	R	0'h	Reserved
sel_hp_r_vol	4:0	RW	1F'h	Headphone Output Right Volume (HPR[4..0]) in 1.5dB Steps <i>Note: For HPR/HPL: 00h: 0dB attenuation. 1Fh: 46.5dB attenuation.</i>

8.4. Reg-08h: Auxiliary Input Volume

Default: C8C8'h

Table 13. MX08 Auxiliary Input Volume

Name	Bits	RW	Default	Description
mute_auxil2hp	15	RW	1'h	Mute AUXIN Left Volume Output to Headphone Left Mixer Control 0: On 1: Mute
mute_auxil2spk	14	RW	1'h	Mute AUXIN Left Volume Output to Speaker Mixer Control 0: On 1: Mute
Reserved	13	R	0'h	Reserved
sel_auxi_l_vol	12:8	RW	08'h	AUXIN Left Volume (AUXLV [4..0]) in 1.5dB Step
mute_auxir2hp	7	RW	1'h	Mute AUXIN Right Volume Output to Headphone Right Mixer Control* 0: On 1: Mute
mute_auxir2spk	6	RW	1'h	Mute AUXIN Right Volume Output to Speaker Mixer Control* 0: On 1: Mute
en_auxi_diff	5	RW	0'h	AUXIN Differential Input Control 0: Disable 1: Enable. Only output to HP right mixer
sel_auxi_r_vol	4:0	RW	8'h	AUXIN Right Volume (AUXIRV [4..0]) in 1.5dB Steps* <i>Note: For AUXIRV/AUXI LV: 00h: +12dB gain. 08h: 0dB attenuation. 1Fh: 34.5dB attenuation.</i>

Note: '*' indicates no function when Reg-08[5] = 1'b.

8.5. Reg-0Ah: LINE Input Volume

Default: C8C8'h

Table 14. MX0A LINE Input Volume

Name	Bits	RW	Default	Description
mute_lil2hp	15	RW	1'h	Mute Left Volume Output to Headphone Left Mixer Control 0: On 1: Mute
mute_lil2spk	14	RW	1'h	Mute Left Volume Output to Speaker Mixer Control 0: On 1: Mute
Reserved	13	R	0'h	Reserved
sel_li_l_vol	12:8	RW	08'h	Line-In Left Volume (NLV[4..0]) in 1.5dB Step
mute_lir2hp	7	RW	1'h	Mute Right Volume Output to Headphone Right Mixer Control* 0: On 1: Mute
mute_lir2spk	6	RW	1'h	Mute Right Volume Output to Speaker Mixer Control* 0: On 1: Mute
en_li_diff	5	RW	0'h	Line-In Differential Input Control 0: Disable 1: Enable. Only output to HP left mixer
sel_li_r_vol	4:0	RW	08'h	Line-In Right Volume (NRV[4..0]) in 1.5dB Steps* <i>Note: For NRV/NLV: 00h: +12dB gain. 08h: 0dB attenuation. 1Fh: 34.5dB attenuation.</i>

Note: '*' indicates no function when Reg-0A[5] = 1'b.

8.6. Reg-0Ch: Stereo DAC Digital Volume

Default: FFFF'h

Table 15. MX0C Stereo DAC Digital Volume

Name	Bits	RW	Default	Description
mute_dacl2hp	15	RW	1'h	Mute DAC Left Channel Digital Volume Output to Headphone Mixer Control 0: On 1: Mute (-∞ dB)
mute_dacl2spk	14	RW	1'h	Mute DAC Left Channel Digital Volume Output to Speaker Mixer Control 0: On 1: Mute (-∞ dB)
dac_l_vol	13:8	RW	3F'h	DAC Left Channel Digital Volume (PLV[5..0]) in 0.75dB Steps
mute_dacr2hp	7	RW	1'h	Mute Right Channel DAC Digital Volume Output to Headphone Mixer Control 0: On 1: Mute (-∞ dB)
mute_dacr2spk	6	RW	1'h	Mute Right Channel DAC Digital Volume Output to Speaker Mixer Control 0: On 1: Mute (-∞ dB)
dac_r_vol	5:0	RW	3F'h	DAC Right Channel Digital Volume (PRV[5..0]) in 0.75dB Steps <i>Note: For PRV/PLV: 00h: +12dB gain. 10h: 0dB attenuation. 3Fh: 35.25dB attenuation.</i>

8.7. Reg-16h: Soft Delay Volume Control Time

Default: 0009'h

Table 16. MX16 Soft Delay Volume Control Time

Name	Bits	RW	Default	Description
Reserved	15:4	R	0'h	Reserved
sel_sync_softvol	3:0	RW	1001'b	Soft Volume Change Delay Time (Default=1001b) 0000: 1 SVSYNC 0001: 2 SVSYNC 0010: 4 SVSYNC 0011: 8 SVSYNC 0100: 16 SVSYNC 0101: 32 SVSYNC 0110: 64 SVSYNC 0111: 128 SVSYNC 1000: 256 SVSYNC 1001: 512 SVSYNC 1010: 1024 SVSYNC Others: Reserved

Note: SVSYNC=1/Fs, Step: -1.5dBFS.

8.8. Reg-1Ch: Output Mixer Control

Default: 8004'h

Table 17. MX1C Output Mixer Control

Name	Bits	RW	Default	Description																																	
spkon_source_clsd	15:14	RW	2'h	<table border="1"> <thead> <tr> <th rowspan="3">Reg1C [15:14]</th> <th colspan="4">Any Mixer to SPKOUT</th> </tr> <tr> <th colspan="2">SPK_OUT</th> <th colspan="2">SPK_OUT_N</th> </tr> <tr> <th>Config</th> <th>Control Register</th> <th>Config</th> <th>Control Register</th> </tr> </thead> <tbody> <tr> <td>00'b</td> <td>VOL_LP</td> <td>Reg02[15:8]</td> <td>VOL_RN</td> <td>Reg02[7:0]</td> </tr> <tr> <td>01'b</td> <td>VOL_LP</td> <td>Reg02[15:8]</td> <td>VOL_RP</td> <td>Reg02[7:0]</td> </tr> <tr> <td>10'b</td> <td>VOL_LP</td> <td>Reg02[15:8]</td> <td>VOL_LN</td> <td>Reg02[15:8]</td> </tr> <tr> <td>11'b</td> <td>MUTE</td> <td>MUTE</td> <td>MUTE</td> <td>MUTE</td> </tr> </tbody> </table>	Reg1C [15:14]	Any Mixer to SPKOUT				SPK_OUT		SPK_OUT_N		Config	Control Register	Config	Control Register	00'b	VOL_LP	Reg02[15:8]	VOL_RN	Reg02[7:0]	01'b	VOL_LP	Reg02[15:8]	VOL_RP	Reg02[7:0]	10'b	VOL_LP	Reg02[15:8]	VOL_LN	Reg02[15:8]	11'b	MUTE	MUTE	MUTE	MUTE
				Reg1C [15:14]		Any Mixer to SPKOUT																															
						SPK_OUT		SPK_OUT_N																													
					Config	Control Register	Config	Control Register																													
				00'b	VOL_LP	Reg02[15:8]	VOL_RN	Reg02[7:0]																													
01'b	VOL_LP	Reg02[15:8]	VOL_RP	Reg02[7:0]																																	
10'b	VOL_LP	Reg02[15:8]	VOL_LN	Reg02[15:8]																																	
11'b	MUTE	MUTE	MUTE	MUTE																																	
Reserved	13:12	R	0'h	Reserved																																	
sel_spk_vol_in	11:10	RW	00'h	SPK Volume Output Source Select 00: VMID (No input) 01: HP Mixer 10: Speaker mixer (diff out) 11: Reserved																																	
sel_hp_l_in	9	RW	0'h	HPL Volume Output Source Select 0: VMID (No input) 1: HP Left Mixer																																	
sel_hp_r_in	8	RW	0'h	HPR Volume Output Source Select 0: VMID (No input) 1: HP Right Mixer																																	
Reserved	7:3	R	0'b	Reserved																																	
en_spk_vol_diff	2	RW	1'h	SPK Volume Differential Negative Signal Output Enable 0: Disable negative signal 1: Enable negative signal																																	
en_dac_hp	1	RW	0'b	DAC Direct Output to HP Amplifier Control 0: Normal 1: Enable direct output																																	
Reserved	0	R	0'b	Reserved																																	

8.9. Reg-34h: Stereo Audio Serial Data Port Control

Default: 8000'h

Table 18. MX34 Stereo Audio Serial Data Port Control

Name	Bits	RW	Default	Description
sel_i2s_mode	15	RW	1'h	Main Serial Data Port Mode Selection 0: Master 1: Slave
Reserved	14:8	R	0'h	Reserved
ctrl_i2s_bclk_polarity	7	RW	0'h	Stereo I ² S BCLK Polarity Control 0: Normal 1: Invert
Reserved	6:5	R	0'h	Reserved
en_dac_lrck_swap	4	RW	0'h	DAC Data L/R Swap 0: DAC data appear at left phase of LRCK 1: DAC data appear at right phase of LRCK <i>Note: Support to I²S & PCM.</i>
sel_i2s_data_len	3:2	RW	0'h	Data Length Selection 00: 16 bits 01: 20 bits 10: 24 bits 11: Reserved
sel_i2s_data_format	1:0	RW	0'h	Stereo PCM Data Format Selection 00: I ² S format 01: Left justified 10: PCM Mode A (LRCK One Plus at Master Mode) 11: PCM Mode B (LRCK One Plus at Master Mode)

8.10. Reg-38h: Stereo DAC Clock Control

Default: 2000'h

Table 19. MX38 Stereo DAC Clock Control

Name	Bits	RW	Default	Description
sel_i2s_pre_div	15:13	RW	1'h	I ² S Pre-Divider 000b: ÷1 001b: ÷2 010b: ÷4 011b: ÷8 100b: ÷16 101b: ÷32 Others: Reserved
sel_i2s_bclk_ms	12	RW	0'b	Master Mode Clock Relative of BCLK and LRCK 0b: 32bits (64FS) 1b: 16bits (32FS)
Reserved	11:3	R	0'h	Reserved
sel_dac_filter_clk	2	RW	0'b	Stereo DAC Filter Clock Select 0b: 256Fs 1b: 384Fs
Reserved	1:0	R	0'h	Reserved

8.11. Reg-3Ah: Power Management Addition 1

Default: 0000'h

Table 20. MX3A Power Management Addition 1

Name	Bits	RW	Default	Description
en_main_i2s	15	RW	0'h	I ² S Digital Interface Enable 0: Disable 1: Enable
pow_zcd	14	RW	0'h	All Zero Cross Detect Power Down (Include Digital) 0: Disable 1: Enable
Reserved	13:9	R	0'h	Reserved
pow_softgen	8	RW	0'h	Power on Softgen 1: Power on 0: Power down <i>Note: When pow_softgen=1, whether the HP can be driven depends on the level on Cdepop (depedns on depop mode selection)</i>
Reserved	7:6	R	0'h	Reserved
en_hp_out_amp	5	RW	0'h	1: Enable HP Output buffer for normal loading (used to drive High Impedance) 0: Disable (DPOP mode)
en_hp_enhance_amp	4	RW	0'h	1: Enable HP Enhance Output buffer 0: Disable (DPOP mode or normal loading mode)
Reserved	3:0	R	0'h	Reserved

The following table describes Bit 4 & Bit 5:

Table 21. Headphone Drive Ability Selection

en_hp_out_amp	en_hp_enhance_amp	Description
0'b	0'b	HP Output Off
0'b	1'b	Not Used
1'b	0'b	HP Output for High-Impedance Loading (>KOhm)
1'b	1'b	HP Output for Low-Impedance Loading (<100Ohm)

8.12. Reg-3Ch: Power Management Addition 2

Default: 0000'h

Table 22. MX3C Power Management Addition 2

Name	Bits	RW	Default	Description
Reserved	15	R	0'h	Reserved
pow_clsd	14	RW	0'b	0: Disable 1: Enable All Class-D Power
pow_vref	13	RW	0'h	0: Disable 1: Enable VREF for All analog circuit (control to Vref pin)
pow_pll	12	RW	0'h	0: Disable 1: Enable PLL
pow_thermal	11	RW	0'h	0: Disable 1: Enable thermal shutdown (temp sensor)
pow_dac_ref	10	RW	0'h	0: Disable 1: Enable DAC reference circuit (Vref+/Vref-)
pow_dac_l	9	RW	0'h	0: Disable 1: Enable left STEREO DAC and its filter clock
pow_dac_r	8	RW	0'h	0: Disable 1: Enable right STEREO DAC and its filter clock
pow_dacl2mixer_direct	7	RW	0'h	0: Disable 1: Enable left DAC to mixer and direct path power
pow_dacr2mixer_direct	6	RW	0'h	0: Disable 1: Enable Right DAC to mixer and direct path power
pow_mix_hp_l	5	RW	0'h	0: Disable 1: Enable left headphone mixer
pow_mix_hp_r	4	RW	0'h	0: Disable 1: Enable right headphone mixer
pow_mix_spk	3	RW	0'h	0: Disable 1: Enable Speaker mixer
Reserved	2:0	R	0'h	Reserved

8.13. Reg-3Eh: Power Management Addition 3

Default: 0000'h

Table 23. MX3E Power Management Addition 3

Name	Bits	RW	Default	Description
pow_main_bias	15	RW	0'h	0: Disable 1: Enable Main bias of analog circuit
Reserved	14:13	R	0'h	Reserved
pow_spk_vol	12	RW	0'h	0: Disable 1: Enable SPK_OUT output <i>Note: Power speaker volume controls the Class-D speaker output.</i>
Reserved	11	R	0'h	Reserved
pow_hp_l_vol	10	RW	0'h	0: Disable 1: Enable HP_OUT_L Volume control & HP_L Amplifier
pow_hp_r_vol	9	RW	0'h	0: Disable 1: Enable HP_OUT_R Volume control & HP_R Amplifier
Reserved	8	R	0'h	Reserved
pow_li_l_vol	7	RW	0'h	0: Disable 1: Enable LINE_IN Left Volume control
pow_li_r_vol	6	RW	0'h	0: Disable 1: Enable LINE_IN Right Volume control
pow_auxin_l_vol	5	RW	0'h	0: Disable 1: Enable AUXIN Left Volume control
pow_auxin_r_vol	4	RW	0'h	0: Disable 1: Enable AUXIN Right Volume control
Reserved	3:0	R	0'h	Reserved

8.14. Reg-40h: General Purpose Control

Default: 0100'h

Table 24. MX40 General Purpose Control

Name	Bits	RW	Default	Description
Reserved	15:12	R	0'h	Reserved
spk_ampd_ratio_clsd	11:9	RW	0'h	Speaker Class-D Amplifier V_{MID} Ratio Control (Output Gain Control) 000: 2.25Vdd 001: 2.00Vdd 010: 1.75Vdd 011: 1.5Vdd 100: 1.25Vdd 101: 1Vdd Others: Not allowed
en_dac_hpf	8	RW	1'h	STEREO DAC High Pass Filter 0: Disable 1: Enable
Reserved	7:0	R	0'h	Reserved

8.15. Reg-42h: Global Clock Control

Default: 0000'h

Table 25. MX42 Global Clock Control

Name	Bits	RW	Default	Description
sel_sysclk	15	RW	0'h	Clock Source MUX Control 0: MCLK 1: PLL
sel_pll_sour	14	RW	0'h	PLL Source Select 0: From MCLK 1: From BIT_CLK
Reserved	13:3	R	0'h	Reserved
sel_pllout_div_ratio	2:1	RW	0'b	PLL Output Division Ratio PLL output to GPIO divider 00: ÷1 01: ÷2 10: ÷4 11: ÷8
sel_pll_pre_div	0	RW	0'b	PLL Pre Divider 0b: ÷1 1b: ÷2

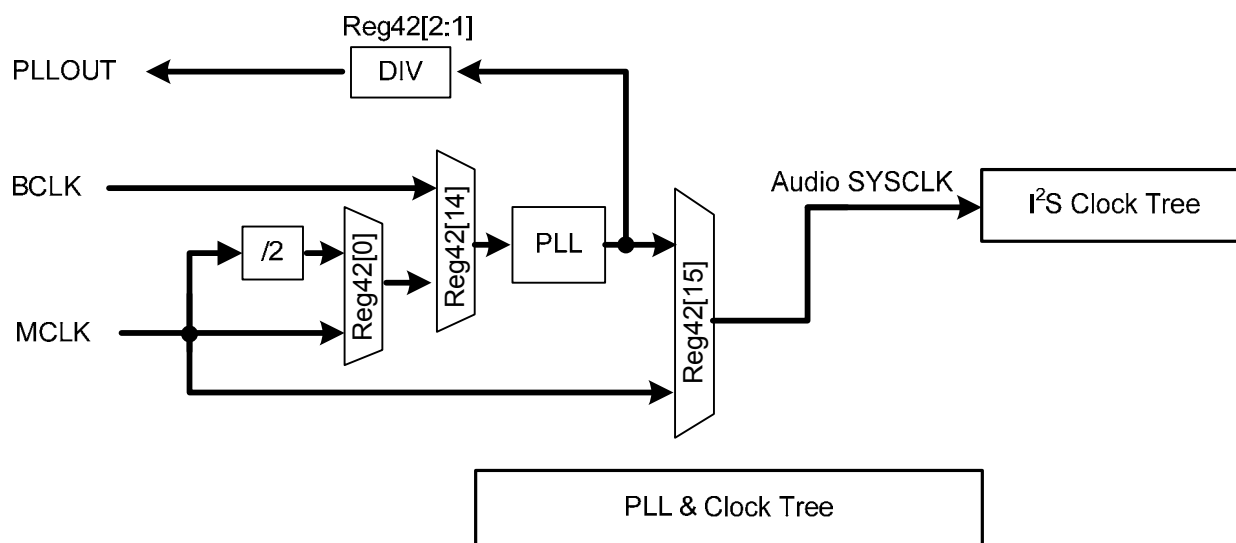


Figure 16. Global Clock Control

8.16. Reg-44h: PLL M/N Code Control

Default: 0000'h

Table 26. MX44 PLL M/N Code Control

Name	Bits	RW	Default	Description
sel_pll_n_code	15:8	RW	00'h	N[7:0] Code for Analog PLL 00000000: Div 2 00000001: Div 3 11111111: Div 257
sel_pll_m_bypass	7	RW	0'h	Bypass PLL M 0b: No bypass 1b: Bypass
sel_pll_k_code	6:4	RW	0'h	K[2:0] Code for Analog PLL 000: Div 2 001: Div 3 111: Div 9
sel_pll_m_code	3:0	RW	0'h	M[3:0] Code for Analog PLL 0000: Div 2 0001: Div 3 1111: Div 17

8.17. Reg-48h: Internal Status and IRQ Control

Default: 0000'h

Table 27. MX48 Internal Status and IRQ Control

Name	Bits	RW	Default	Description
en_irq_over_curr	15	RW	0'h	IRQ Output Source Configure of Over Current Status 0: Bypass 1: Normal
en_irq_over_temp	14	RW	0'h	IRQ Output Source Configure of Over-Temperature Status 0: Bypass 1: Normal
en_irq_jd_conf	13	RW	0'h	IRQ Output Source Configure of Jack Detection Status 0: Bypass 1: Normal
Reserved	12:6	R	0'h	Reserved
sel_polarity_over_temp	5	RW	0'h	Over-Temperature Sensor Status Polarity 0: Normal 1: Output Invert
status_over_temp	4	R	0'h	Over-Temperature Sensor Status Read: Return status of each status pin
Reserved	3:2	R	0'h	Reserved
sel_polarity_over_curr	1	RW	0'h	Speaker Amplifier Over Current Status Polarity 0: Normal 1: Output Invert
status_over_curr	0	R	0'h	Speaker Amplifier Over Current Status Read: Return status of each status pin

8.18. Reg-4Ah: GPIO Control

Default: 0000'h

Table 28. MX4A GPIO Control

Name	Bits	RW	Default	Description
sel_gpio_o_conf	15:14	RW	0'h	GPIO Output Pin Select 00b: Logic Output (GPIO_out_logic) 01b: IRQ 10b: Reserved 11b: PLLOUT
Reserved	13:4	R	0'h	Reserved
sel_gpio_io	3	RW	0'h	GPIO Pin Configuration 0: Output 1: Input
sel_gpio_o_logic	2	RW	0'h	GPIO Output Pin Control 0: Drive Low 1: Drive High
sel_polarity_gpio	1	RW	0'h	GPIO Pin Polarity 0: Normal 1: Output Invert
status_gpio_in	0	R	0'h	GPIO Pin Status Read: Return status of each GPIO pin

8.19. Reg-5Ah: Jack Detect Control

Default: 0000'h

Table 29. MX5A Jack Detect Control

Name	Bits	RW	Default	Description
SEL_JD_SOURCE	15:14	RW	0'h	Jack Detect Select 00: OFF 01: GPIO 10: JD1 and enable Line in Left Ch. pin share 11: JD2 and enable Line in Right Ch. pin share
en_jd_vref	13	RW	0'b	Enable Jack Detect Trigger Vref 0: Disable 1: Enable
polarity_jd_tri_vref	12	RW	0'b	Selected Jack Detect Polarity Trigger Vref 0: Low trigger 1: High trigger
en_jd_hpout	11	RW	0'h	Enable Jack Detect Trigger HPOUT 0: Disable 1: Enable
polarity_jd_tri_hpout	10	RW	0'h	Select Jack Detect Polarity Trigger HPOUT 0: Low trigger 1: High trigger
en_jd_spkout	9	RW	0'h	Enable Jack Detect Trigger SPKOUT 0: Disable 1: Enable
polarity_jd_tri_spkout	8	RW	0'h	Select Jack Detect Polarity Trigger SPKOUT 0: Low trigger 1: High trigger
Reserved	7:4	R	0'b	Reserved

Name	Bits	RW	Default	Description
polarity_jd_out	3	RW	0'h	Jack Detect Polarity 0: Normal 1: Output Invert
status_jd_internal	2	R	0'h	Jack Detect Status Read: Return status of Jack Detect Select output
Reserved	1:0	R	0'b	Reserved

8.20. Reg-5Ch: MISC1 Control

Default: 0000'h

Table 30. MX5C MISC1 Control

Name	Bits	RW	Default	Description
en_sp_l_dezero	15	RW	0'h	SPK Volume Zero Cross Detector Control (SPK Left Volume Zero Cross Detector when Reg1C[15:14] = 01'b) 0: Disable 1: Enable
en_sp_l_softvol	14	RW	0'h	SPK Soft Volume Change Enable (SPK Left Soft Volume Change Enable when Reg1C[15:14] = 01'b) 0: Disable 1: Enable
en_sp_r_dezero	13	RW	0'h	SPK Right Zero Cross Detector 0: Disable 1: Enable
en_sp_r_softvol	12	RW	0'h	SPK Right Soft Volume Change Enable 0: Disable 1: Enable
en_hp_l_dezero	11	RW	0'h	HP Out Left Zero Cross Detector Control 0: Disable 1: Enable
en_hp_l_softvol	10	RW	0'h	HP Out Left Soft Volume Change Control 0: Disable 1: Enable
en_hp_r_dezero	9	RW	0'h	HP Out Right Zero Cross Detector Control 0: Disable 1: Enable
en_hp_r_softvol	8	RW	0'h	HP Out Right Soft Volume Control 0: Disable 1: Enable
Reserved	7:4	R	0'h	Reserved
en_dac_zc	3	RW	0'b	Enable DAC Digital Volume Zero Crossing Detect 0: Disable 1: Enable
en_dac_soft_vol	2	RW	0'b	Enable DAC Digital Soft Volume 0: Disable 1: Enable
Reserved	1:0	R	0'h	Reserved

Note: When zero cross detector is enabled, change mute volume only on zero crossing or after timeout.

8.21. Reg-5Eh: MISC2 Control

Default: 0000'h

Table 31. MX5E MISC2 Control

Name	Bits	RW	Default	Description
en_vref_fastb	15	RW	0'b	Enable Fast Vref (This Bit must be Disabled in Normal Use) 0: Enable fast Vref 1: Disable fast Vref
en_thermal_shutdown	14	RW	0'b	Thermal Shut Down Enable 0: Disable 1: Enable
Reserved	13:10	R	0'h	Reserved
en_dp2_hp	9	RW	0'h	Enable De-Pop Mode 2 of HP_Out 0: Disable 1: Enable
en_dp1_hp	8	RW	0'h	Enable De-Pop Mode 1 of HP_Out 0: Disable 1: Enable
en_smt_hp_l	7	RW	0'h	Enable HP_L Mute-Unmute Depop 0: Disable 1: Enable
en_smt_hp_r	6	RW	0'h	Enable HP_R Mute-Unmute Depop 0: Disable 1: Enable
smt_en	5	RW	0'h	Mute-Unmute Depop 0: Disable 1: Enable
Reserved	4	R	0'h	Reserved
mute_dac_l	3	RW	0'h	Mute Main DAC Left Input 0: On 1: Mute (-∞ dB)
mute_dac_r	2	RW	0'h	Mute Main DAC Right Input 0: On 1: Mute (-∞ dB)
Reserved	1:0	R	0'h	Reserved

8.22. Reg-68h: AVC Control

Default: 100B'h

Table 32. MX68 AVC Control

Name	Bits	RW	Default	Description
EN_AVC	15	RW	0'b	AVC Enable (Default: 00b) 0: Disable AVC 1: Enable AVC to control Digital gain
sel_avc_ref_ch	14	RW	0'b	AVC Reference Channel Selection 0: Left Channel 1: Right Channel
sel_nonact_action	13	RW	0'b	Gain Action of Non-active Region 0: Keep previous Gain 1: Unit Gain
Reserved	12:5	R	80'h	Reserved
sel_monitor_window	4:0	RW	0B'h	Monitor Window Control (Unit: 2 ^{^(n+1)} Samples) (Default: 01011b) 00000b: 2 ^{^(1)} samples 00001b: 2 ^{^(2)} samples 00010b: 2 ^{^(3)} samples 10000b: 2 ^{^(17)} samples Others: Reserved (Maximum=10000000000000000=2 ^{^(17)})

8.23. Reg-6Ah: Private Register Index

Default: 0000'h

Table 33. MX6A Private Register Index

Name	Bits	RW	Default	Description
Reserved	15:7	R	0'h	Reserved
private_reg_index	6:0	RW	0'h	Private Register Index

8.24. Reg-6Ch: Private Register Data

Default: 0000'h

Table 34. MX6C Private Register Data

Name	Bits	RW	Default	Description
private_reg_data	15:0	RW	0'h	Private Register Data Port

8.25. Private-21h: Auto Volume Control Register 1

Default: 0400'h

Table 35. PR21 Auto Volume Control Register 1

Name	Bits	RW	Default	Description
Reserved	15	R	0'h	Reserved
sel_ave_thmax	14:0	RW	0400'h	The Maximum PCM Absolute Level After AVC, Thmax (=0 ~ 2 ¹⁵ -1)

8.26. Private-22h: Auto Volume Control Register 2

Default: 0390'h

Table 36. PR22 Auto Volume Control Register 2

Name	Bits	RW	Default	Description
Reserved	15	R	0'h	Reserved
sel_ave_thmin	14:0	RW	0390'h	The Minimum PCM Absolute Level After AVC, Thmin (=0 ~ 2 ¹⁵ -1)

8.27. Private-23h: Auto Volume Control Register 3

Default: 0040'h

Table 37. PR23 Auto Volume Control Register 3

Name	Bits	RW	Default	Description
Reserved	15	R	0'h	Reserved
sel_avc_thnonact	14:0	RW	0040'h	The Non-Active PCM Absolute Level AVC Will Keep Analog Unit Gain, Thnonact (=0 ~ 2 ¹⁵ -1)

8.28. Private-24h: Auto Volume Control Register 4

Default: 03FF'h

Table 38. PR24 Auto Volume Control Register 4

Name	Bits	RW	Default	Description
sel_avc_cntminth	15:0	RW	03FF'h	The CNTMAXTH1 to Control the Sensitivity to Increase Gain (unit:2 ¹) This value should be less than CNTMAXTH2 (Max=1111111111111110=2 ¹⁷ -2)

8.29. Private-25h: Auto Volume Control Register 5

Default: 0400'h

Table 39. PR25 Auto Volume Control Register 5

Name	Bits	RW	Default	Description
sel_avc_cntmaxth	15:0	RW	0400'h	The CNTMAXTH2 to Control the Sensitivity to Decrease Gain (Unit: 2 ¹) This value should be less than Monitor Window (Optimalized: 1/2 Monitor Window) (Max=1111111111111110=2 ¹⁷ -2)

8.30. Private-39h: Digital Internal Register

Default: 8800'h

Table 40. PR39 Digital Internal Register

Name	Bits	RW	Default	Description
sel_pad_drive	15	RW	1'h	Pad Drive Capability 0b: 5mA 1b: (5+6) 11mA
Reserved	14:12	R	0'b	Reserved
osc_curr	11:9	RW	100'b	Oscillator Drive Current Control 000: 1x bias current 001: 2x 010: 4x 011: 8x 100: 16x 111: 128x <i>Note: The oscillator startup current is set to maximum, and controlled by osc_curr after 512 clocks. The digital clock input is enabled after 1024 clocks.</i>
Reserved	8:0	R	0'b	Reserved

8.31. Reg-7Ch: Vendor ID 1

Default: 10EC'h

Table 41. MX7C Vendor ID 1

Name	Bits	RW	Default	Description
vender_id1	15:0	R	10EC'h	Vender ID '10EC'

8.32. Reg-7Eh: Vendor ID 2

Default: 2700'h

Table 42. MX7E Vendor ID 2

Name	Bits	RW	Default	Description
device_id	15:8	R	27'h	Device ID '27'
version_id2	7:0	R	00'h	Version ID '00' for A Version

9. Electrical Characteristics

9.1. DC Characteristics

9.1.1. Absolute Maximum Ratings

Table 43. Absolute Maximum Ratings

Parameter	Symbol	Minimum	Typical	Maximum	Units
Power Supplies					
Digital Power for Core	DCVDD	-0.3	-	3.63	V
Digital Power for IO and PLL	DBVDD	-0.3	-	3.63	V
Analog and HP Amplifier Power	AVDD	-0.3	-	3.63	V
Speaker Amplifier Power	SPKVDD	-0.3	-	7	V
Ambient Operating Temperature	Ta	-20	-	+85	°C
Storage Temperature	Ts	-40	-	+125	°C

9.1.2. Recommended Operating Conditions

Table 44. Recommended Operating Conditions

Parameter	Symbol	Min	Typ	Max	Units
Digital IO Buffer	DBVDD	1.8	3.3	3.6	V
Digital Core	DCVDD	1.8	3.3	3.6	V
Analog	AVDD	2.3	3.3	3.6	V
Speaker	SPKVDD*	2.3	3.3	5	V

Note: A 10 μ F Capacitor must be connected from SPKVDD to SPKGND, and should be placed as close as possible to the SPKVDD pin of the ALC5627.

9.1.3. Static Characteristics

DBVDD= 3.3V, T_{ambient}=25°C, with 25pF external load.

Table 45. Threshold Voltage

Parameter	Symbol	Minimum	Typical	Maximum	Units
Input Voltage Range	V _{in}	-0.30	-	DBVDD +0.30	V
Low Level Input Voltage	V _{IL}	-	-	0.33*DBVDD	V
High Level Input Voltage	V _{IH}	0.66*DBVDD	-	-	V
High Level Output Voltage	V _{OH}	0.9*DBVDD	-	-	V
Low Level Output Voltage	V _{OL}	-	-	0.1*DBVDD	V
Low Level Input Voltage (JD2)	V _{IL}	-	-	0.33*AVDD	V
High Level Input Voltage(JD2)	V _{IH}	0.66*AVDD	-	-	V

9.2. Analog Performance Characteristics

Standard Test Conditions • $T_{\text{ambient}}=25^{\circ}\text{C}$, $\text{DBVDD}=\text{DCVDD}=1.8\text{V}$, $\text{AVDD}=3.3\text{V}$, $\text{SPKVDD}=5\text{V}$, 1kHz input sine wave; Sampling frequency=48kHz; 0dB=1Vrms, 10K Ω /50pF load; Test bench Characterization BW: 10Hz~22kHz, 0dB attenuation

Table 46. Analog Performance Characteristics

Parameter	Minimum	Typical	Maximum	Units
Full Scale Input Voltage LINE_IN Inputs (Gain=0dB)	-	1.0	-	Vrms
Full Scale Output Voltage				
DAC Outputs	-	1.0	-	Vrms
HP_OUT Outputs	-	1.0	-	Vrms
SPK_OUT Outputs	-	1.5	-	Vrms
S/N (A Weighted)				
DAC	-	100	-	dB FSA
Headphone Amplifier Output (RL=32 Ω , PO=20mW)	-	95	-	dB FSA
THD+N				
DAC	-	-86	-	dB FS
Headphone Amplifier Output (RL=32 Ω , PO=20mW)	-	-80	-	dB FS
Power Supply Rejection (217Hz)	-	-50	-	dB
Amplifier Gain Step	-	1.5	-	dB
Crosstalk Between Input Channels	-	-80	-	dB
HP Amplifier Quiescent Current (RL=32 Ω @ 3.3V)	-	600	-	μA
HP Amplifier Output Power (RL=16 Ω)	25	45	-	mW
SPK Class-D Amplifier Quiescent Current (RL=8 Ω @ 5V)	-	4	-	mA
SPK Class-D Amplifier Output Power (RL=4 Ω @ 5V, 0.1% THD+N)	-	1.6	-	W
SPK Class-D Amplifier Output Power (RL=8 Ω @ 5V, 0.1% THD+N)	-	1	-	W
SPK Class-D Amplifier Output Power (RL=4 Ω @ 5V, 1% THD+N)	-	1.7	-	W
SPK Class-D Amplifier Output Power (RL=8 Ω @ 5V, 1% THD+N)	-	1.1	-	W
SPK Class-D Amplifier Output Power (RL=4 Ω @ 5V, 10% THD+N)	-	2.4	-	W
SPK Class-D Amplifier Output Power (RL=8 Ω @ 5V, 10% THD+N)	-	1.5	-	W
Digital Power Supply Current (Power Down Mode) DCVDD=1.8V, DBVDD=1.8V (Include POR Circuit)	-	-	10	μA
Analog Power Supply Current (DAC to Headphone Without Load) AVDD=DCVDD=DBVDD=SPKVDD=3.3V	-	8	-	mA
Analog Power Supply Current (Power Down Mode) AVDD=3.3V	-	-	1	μA
VREF Output Voltage	-	0.5	-	AVDD
VREF Rising Time at Fast Mode (C=4.7 μF)	-	-	50	ms

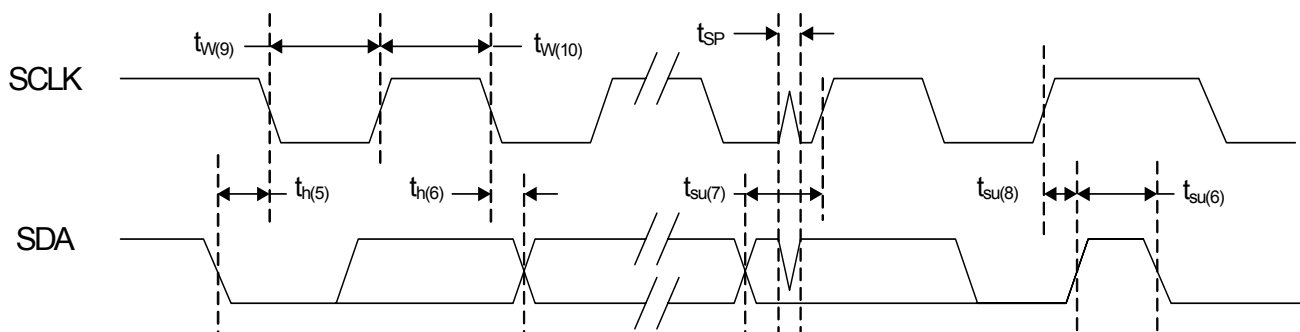
9.3. AC Timing Characteristics

9.3.1. I²C Control Interface

Table 47. I²C Control Interface Timing

Parameter	Symbol	Minimum	Typical	Maximum	Units
Clock Pulse Duration	$t_{w(9)}$	1.3	-	-	μ S
Clock Pulse Duration	$t_{w(10)}$	600	-	-	ns
Clock Frequency	f	0	-	400K*	Hz
Re-Start Setup Time	$t_{su(6)}$	600	-	-	ns
Start Hold Time	$t_{h(5)}$	600	-	-	ns
Data Setup Time	$t_{su(7)}$	100	-	-	ns
Data Hold Time	$t_{h(6)}$	-	-	900	ns
Rising Time	t_r	-	-	300	ns
Falling Time	t_f	-	-	300	ns
Stop Setup Time	$t_{su(8)}$	600	-	-	ns
Pulse Width of Spikes Suppressed Input Filter	t_{sp}	0	-	50	ns

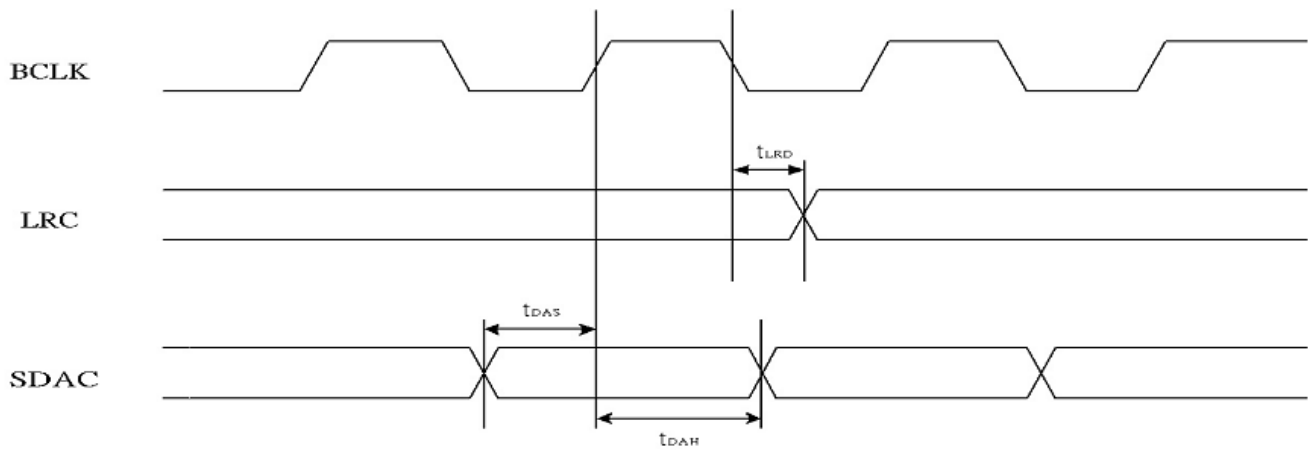
Note: '*' indicates the host must provide MCLK higher than 4MHz to the ALC5627 during I²C control interface access. If MCLK provides 128*8KHz, the I²C clock frequency only can support 100KHz.


Figure 17. I²C Control Interface Waveform

9.3.2. I²S/PCM Interface Master Mode

Table 48. I²S Master Mode Timing

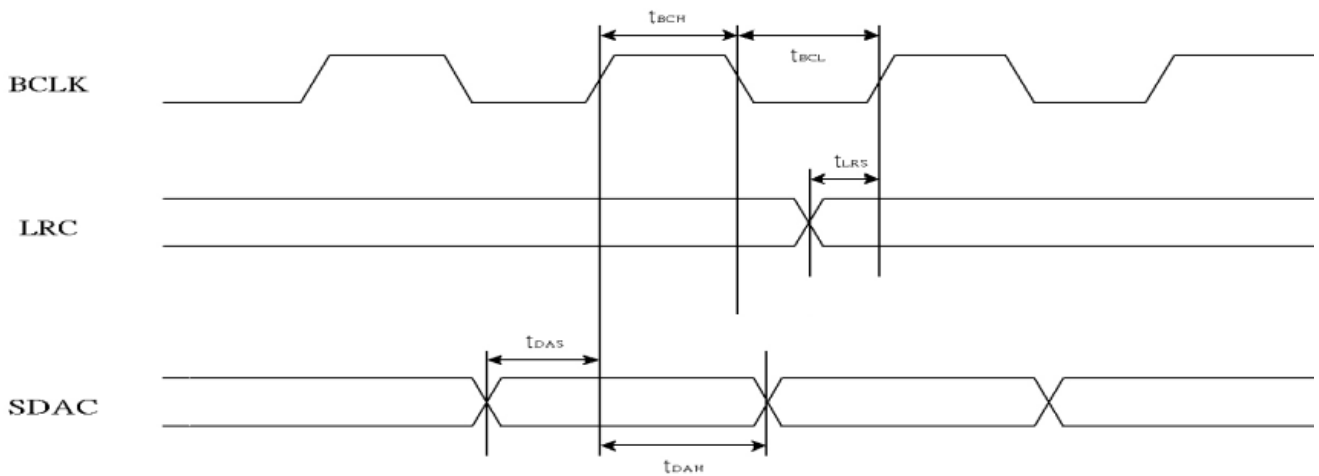
Parameter	Symbol	Minimum	Typical	Maximum	Units
LRCK Output to BCLK Delay	t_{LRD}	-	-	30	ns
Data Output to BCLK Delay	t_{ADD}	-	-	30	ns
Data Input Setup Time	t_{DAS}	10	-	-	ns
Data Input Hold Time	t_{DAH}	10	-	-	ns


Figure 18. I²S Master Mode Waveform

9.3.3. I²S/PCM Interface Slave Mode

Table 49. I²S Slave Mode Timing

Parameter	Symbol	Minimum	Typical	Maximum	Units
BCLK High Pulse Width	t_{BCH}	20	-	-	ns
BCLK Low Pulse Width	t_{BCL}	20	-	-	ns
LRCK Input Setup Time	t_{LRS}	30	-	-	ns
Data Input Setup Time	t_{DAS}	10	-	-	ns
Data Input Hold Time	t_{DAH}	10	-	-	ns


Figure 19. I²S Slave Mode Waveform

10. Application Circuits

Application circuits are for design reference only. System designers are suggested to visit Realtek's web site to download the latest application circuits. To get the best compatibility in hardware design and software driver, Realtek should confirm modifications of application circuits.

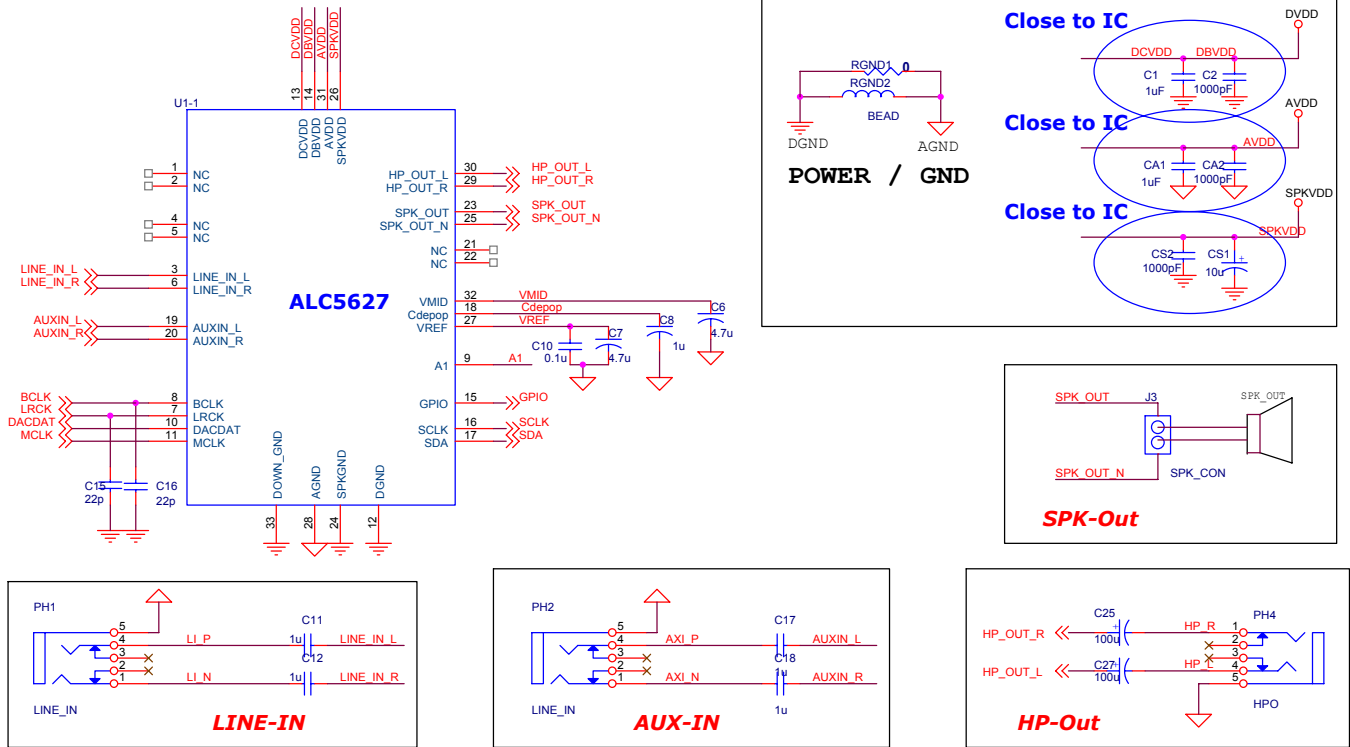
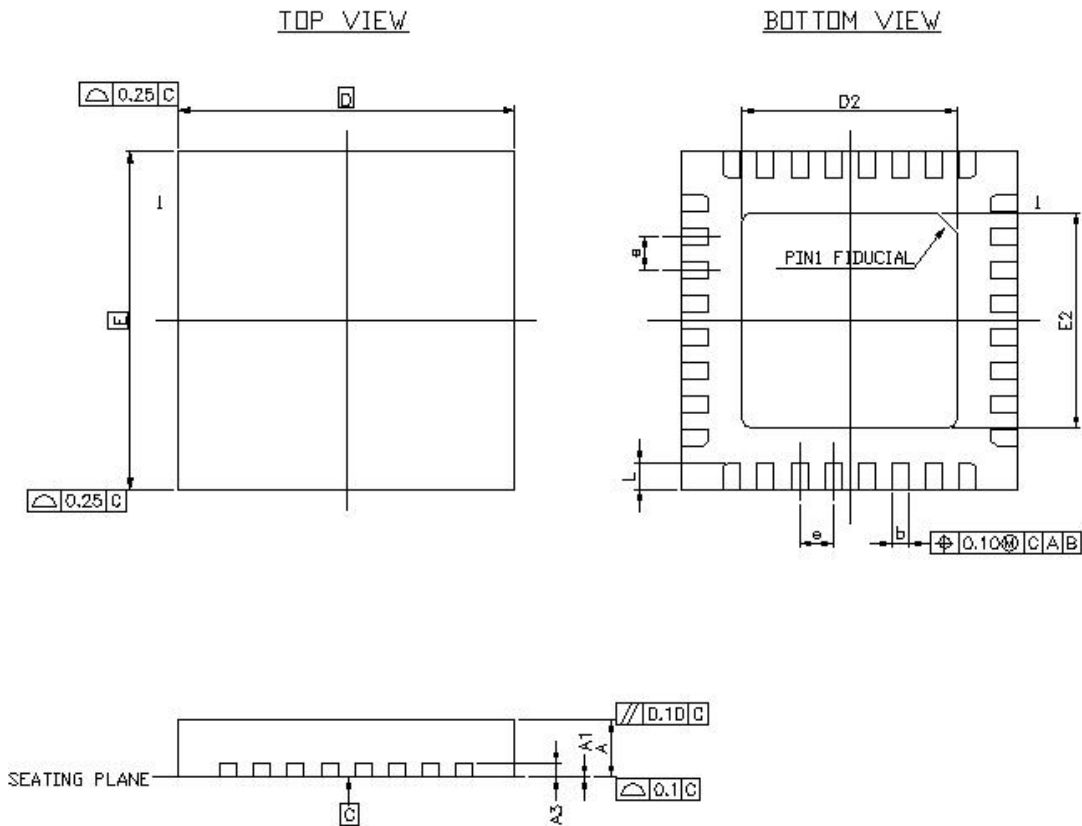


Figure 20. Application Circuits

11. Mechanical Dimensions

QFN-32 Package; 5x5mm Outline



Symbol	Dimension in mm			Dimension in inch		
	Min	Nom	Max	Min	Nom	Max
A	0.75	0.85	1.00	0.030	0.034	0.039
A ₁	0.00	0.02	0.05	0.000	0.001	0.002
A ₃	0.20REF			0.008REF		
b	0.18	0.25	0.30	0.007	0.010	0.012
c	-	-	0.6	-	-	0.024
D/E	5.00BSC			0.197BSC		
D ₂ /E ₂	3.10	3.35	3.60	0.122	0.132	0.142
e	0.50BSC			0.020BSC		
L	0.30	0.40	0.50	0.012	0.016	0.020

Note 1: CONTROLLING DIMENSION: MILLIMETER (mm).

Note 2: REFERENCE DOCUMENT: JEDEC MO-220.

12. Ordering Information

Table 50. Ordering Information

Part Number	Package	Status
ALC5627-GR	QFN-32 in 'Green' Package (Tray)	Mass Production
ALC5627-GRT	QFN-32 in 'Green' Package (Tape & Reel)	Mass Production

Note: See page 6 for package and version identification.

Realtek Semiconductor Corp.

Headquarters

No. 2, Innovation Road II

Hsinchu Science Park, Hsinchu 300, Taiwan

Tel.: +886-3-578-0211. Fax: +886-3-577-6047

www.realtek.com

*I2S/PCM Stereo DAC + Multiple Analog Inputs,
Headphone, and Mono Class-D Speaker Amplifier*