

DATA SHEET



SAA7113H 9-bit video input processor

Product specification
File under Integrated Circuits, IC22

1999 Jul 01

9-bit video input processor**SAA7113H****CONTENTS**

| | |
|------|--|
| 1 | FEATURES |
| 2 | APPLICATIONS |
| 3 | GENERAL DESCRIPTION |
| 4 | QUICK REFERENCE DATA |
| 5 | ORDERING INFORMATION |
| 6 | BLOCK DIAGRAM |
| 7 | PINNING |
| 8 | FUNCTIONAL DESCRIPTION |
| 8.1 | Analog input processing |
| 8.2 | Analog control circuits |
| 8.3 | Chrominance processing |
| 8.4 | Luminance processing |
| 8.5 | Synchronization |
| 8.6 | Clock generation circuit |
| 8.7 | Power-on reset and CE input |
| 8.8 | Multi-standard VBI data slicer |
| 8.9 | VBI-raw data bypass |
| 8.10 | Digital output port VPO7 to VPO0 |
| 8.11 | RTCO output |
| 8.12 | RTS0, RTS1 terminals |
| 9 | BOUNDARY SCAN TEST |
| 9.1 | Initialization of boundary scan circuit |
| 9.2 | Device identification codes |
| 10 | LIMITING VALUES |
| 11 | THERMAL CHARACTERISTICS |
| 12 | CHARACTERISTICS |
| 13 | TIMING DIAGRAMS |
| 14 | APPLICATION INFORMATION |
| 15 | I ² C-BUS DESCRIPTION |
| 15.1 | I ² C-bus format |
| 15.2 | I ² C-bus detail |
| 16 | I ² C-BUS START SET-UP |
| 17 | PACKAGE OUTLINE |
| 18 | SOLDERING |
| 18.1 | Introduction to soldering surface mount packages |
| 18.2 | Reflow soldering |
| 18.3 | Wave soldering |
| 18.4 | Manual soldering |
| 18.5 | Suitability of surface mount IC packages for wave and reflow soldering methods |
| 19 | DEFINITIONS |
| 20 | LIFE SUPPORT APPLICATIONS |
| 21 | PURCHASE OF PHILIPS I ² C COMPONENTS |

9-bit video input processor

SAA7113H

1 FEATURES

- Four analog inputs, internal analog source selectors, e.g. 4 × CVBS or 2 × Y/C or (1 × Y/C and 2 × CVBS)
- Two analog preprocessing channels in differential CMOS style for best S/N-performance
- Fully programmable static gain or automatic gain control for the selected CVBS or Y/C channel
- Switchable white peak control
- Two built-in analog anti-aliasing filters
- Two 9-bit video CMOS Analog-to-Digital Converters (ADCs), digitized CVBS or Y/C-signals are available on the VPO-port via I²C-bus control
- On-chip clock generator
- Line-locked system clock frequencies
- Digital PLL for horizontal sync processing and clock generation, horizontal and vertical sync detection
- Requires only one crystal (24.576 MHz) for all standards
- Automatic detection of 50 and 60 Hz field frequency, and automatic switching between PAL and NTSC standards
- Luminance and chrominance signal processing for PAL BGHI, PAL N, combination PAL N, PAL M, NTSC M, NTSC N, NTSC 4.43, NTSC-Japan and SECAM
- User programmable luminance peaking or aperture correction
- Cross-colour reduction for NTSC by chrominance comb filtering
- PAL delay line for correcting PAL phase errors
- Brightness Contrast Saturation (BCS) and hue control on-chip
- Real-time status information output (RTCO)
- Two multi functional real-time output pins controlled by I²C-bus
- Multi-standard VBI-data slicer decoding World Standard Teletext (WST), North-American Broadcast Text System (NABTS), closed caption, Wide Screen Signalling (WSS), Video Programming System (VPS), Vertical Interval Time Code (VITC) variants (EBU/SMPTE) etc.
- Standard ITU 656 YUV 4 : 2 : 2 format (8-bit) on VPO output bus
- Enhanced ITU 656 output format on VPO output bus containing:
 - active video
 - raw CVBS data for INTERCAST applications (27 MHz data rate)
 - decoded VBI data
- Boundary scan test circuit complies with the "IEEE Std. 1149.b1 - 1994" (ID-Code = 1 7113 02B)
- I²C-bus controlled (full read-back ability by an external controller, bit rate up to 400 kbits/s)
- Low power (<0.5 W), low voltage (3.3 V), small package (QFP44)
- Power saving mode by chip enable input
- 5 V tolerant digital I/O ports
- Detection of copy protected input signals according to the macrovision standard. Can be used to prevent unauthorized recording of pay-TV or video tape signals.

**2 APPLICATIONS**

- Notebook (low power consumption)
- PCMCIA card application
- AGP based graphics cards
- Image processing
- Video phone applications
- Intercast and PC teletext applications
- Security applications.

9-bit video input processor

SAA7113H

3 GENERAL DESCRIPTION

The 9-bit video input processor is a combination of a two-channel analog preprocessing circuit including source selection, anti-aliasing filter and ADC, an automatic clamp and gain control, a Clock Generation Circuit (CGC), a digital multi-standard decoder (PAL BGHI, PAL M, PAL N, combination PAL N, NTSC M, NTSC-Japan, NTSC N and SECAM), a brightness, contrast and saturation control circuit, a multi-standard VBI data slicer and a 27 MHz VBI data bypass; see Fig.1.

The pure 3.3 V (5 V compatible) CMOS circuit SAA7113H, analog front-end and digital video decoder, is a highly integrated circuit for desktop video applications.

The decoder is based on the principle of line-locked clock decoding and is able to decode the colour of PAL, SECAM and NTSC signals into CCIR-601 compatible colour component values. The SAA7113H accepts as analog inputs CVBS or S-video (Y/C) from TV or VTR sources. The circuit is I²C-bus controlled.

The integrated high performance multi-standard data slicer supports several VBI data standards:

- Teletext [WST (World Standard Teletext), CCST (Chinese teletext)] (625 lines)
- Teletext [US-WST, NABTS (North-American Broadcast Text System) and MOJI (Japanese teletext)] (525 lines)
- Closed caption [Europe, US (line 21)]
- Wide Screen Signalling (WSS)
- Video Programming Signal (VPS)
- Time codes (VITC EBU/SMPTE)
- HIGH-speed VBI data bypass for intercast application.

4 QUICK REFERENCE DATA

| SYMBOL | PARAMETER | MIN. | TYP. | MAX. | UNIT |
|------------------|--------------------------------------|------|------|------|------|
| V _{DDD} | digital supply voltage | 3.0 | 3.3 | 3.6 | V |
| V _{DDA} | analog supply voltage | 3.1 | 3.3 | 3.5 | V |
| T _{amb} | operating ambient temperature | 0 | 25 | 70 | °C |
| P _{A+D} | analog and digital power dissipation | – | 0.4 | – | W |

5 ORDERING INFORMATION

| TYPE NUMBER | PACKAGE | | |
|-------------|---------|--|----------|
| | NAME | DESCRIPTION | VERSION |
| SAA7113H | QFP44 | plastic quad flat package; 44 leads (lead length 1.3 mm); body 10 × 10 × 1.75 mm | SOT307-2 |

9-bit video input processor

SAA7113H

6 BLOCK DIAGRAM

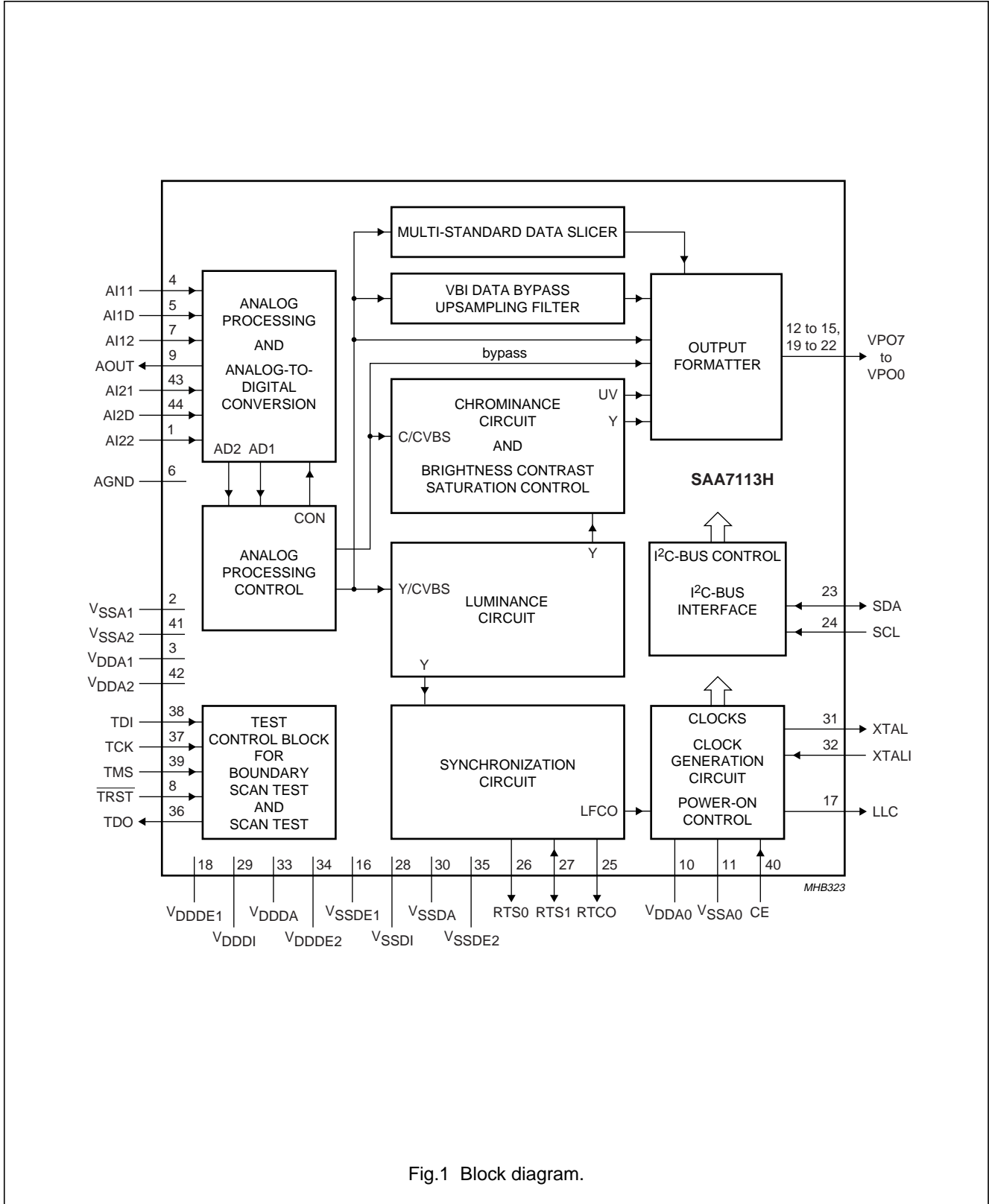


Fig.1 Block diagram.

9-bit video input processor

SAA7113H

7 PINNING

| SYMBOL | PIN | I/O/P | DESCRIPTION |
|--------------------|----------|-------|--|
| AI22 | 1 | I | analog input 22 |
| V _{SSA1} | 2 | P | ground for analog supply voltage channel 1 |
| V _{DDA1} | 3 | P | positive supply voltage for analog channel 1 (+3.3 V) |
| AI11 | 4 | I | analog input 11 |
| AI1D | 5 | I | differential analog input for AI11 and AI12; has to be connected to ground via a capacitor; see application diagram of Fig.31 |
| AGND | 6 | P | analog signal ground connection |
| AI12 | 7 | I | analog input 12 |
| TRST | 8 | I | test reset input (active LOW), for boundary scan test; notes 1, 2 and 3 |
| AOUT | 9 | O | analog test output; for testing the analog input channels, 75 Ω termination possible |
| V _{DDA0} | 10 | P | positive supply voltage (+3.3 V) for internal Clock Generation Circuit (CGC) |
| V _{SSA0} | 11 | P | ground for internal clock generation circuit |
| VPO7 to VPO4 | 12 to 15 | O | digital VPO-bus output signal; higher bits of the 8-bit output bus. The output data types of the VPO-bus are controlled via I ² C-bus registers LCR2 to LCR24; see Table 4. If I ² C-bus bit VIPB = 1, the higher bits of the digitized input signal are connected to these outputs, configured by the I ² C-bus control signals MODE3 to MODE0 |
| V _{SSDE1} | 16 | P | ground 1 or digital supply voltage input E (external pad supply) |
| LLC | 17 | O | line-locked system clock output (27 MHz) |
| V _{DDDE1} | 18 | P | digital supply voltage E1 (external pad supply 1; +3.3 V) |
| VPO3 to VPO0 | 19 to 22 | O | digital VPO-bus output signal; lower bits of the 8-bit output bus. The output data types of the VPO-bus are controlled via I ² C-bus registers LCR2 to LCR24; see Table 4. If I ² C-bus bit VIPB = 1, the lower bits of the digitized input signal are connected to these outputs, configured by the I ² C-bus control signals MODE3 to MODE0 |
| SDA | 23 | I/O | serial data input/output (I ² C-bus) 5 V-compatible |
| SCL | 24 | I | serial clock input (I ² C-bus) 5 V-compatible |
| RTCO | 25 | (I/O) | real-time control output: contains information about actual system clock frequency, field rate, odd/even sequence, decoder status, subcarrier frequency and phase and PAL sequence (see external document "RTC Functional Description", available on request); the RTCO pin is enabled via I ² C-bus bit OERT; this pin is also used as an input pin for test purposes and has an internal pull-down resistor; do not connect any pull-up resistor to this pin |
| RTS0 | 26 | (I/O) | real-time signal output 0: multi functional output, controlled by I ² C-bus bits RTSE03 to RTSE00; see Table 49. RTS0 is strapped during power-on or CE driven reset, defines which I ² C-bus slave address is used; 0 = 48H for write, 49H for read, external pull-down resistor of 3.3 kΩ is needed; 1 = 4AH for write, 4BH for read, default slave address (default, internal pull-up) |
| RTS1 | 27 | I/O | real-time signal I/O terminal 1: multi functional output, controlled by I ² C-bus bit RTSE13 to RTSE10; see Table 50 |
| V _{SSDI} | 28 | P | ground for internal digital core supply |
| V _{DDDI} | 29 | P | internal core supply (+3.3 V) |
| V _{SSDA} | 30 | P | digital ground for internal crystal oscillator |
| XTAL | 31 | O | second terminal of crystal oscillator; not connected if external clock signal is used |

9-bit video input processor

SAA7113H

| SYMBOL | PIN | I/O/P | DESCRIPTION |
|--------------------|-----|-------|--|
| XTALI | 32 | I | input terminal for crystal oscillator or connection of external oscillator with CMOS compatible square wave clock signal |
| V _{DDDA} | 33 | P | digital positive supply voltage for internal crystal oscillator (+3.3 V) |
| V _{DDDE2} | 34 | P | digital supply voltage E2 (external pad supply 2; +3.3 V) |
| V _{SSDE2} | 35 | P | ground 2 for digital supply voltage input E (external pad supply) |
| TDO | 36 | O | test data output for boundary scan test; note 3 |
| TCK | 37 | I | test clock for boundary scan test; note 3 |
| TDI | 38 | I | test data input for boundary scan test; note 3 |
| TMS | 39 | I | test mode select input for boundary scan test or scan test; note 3 |
| CE | 40 | I | chip enable, 'sleep mode' with low power consumption if connected to ground (internal pull-up); internal reset sequence is generated when released |
| V _{SSA2} | 41 | P | ground for analog supply voltage channel 2 |
| V _{DDA2} | 42 | P | positive supply voltage for analog channel 2 (+3.3 V) |
| AI21 | 43 | I | analog input 21 |
| AI2D | 44 | I | differential analog input for AI21 and AI22; has to be connected to ground via a capacitor; see application diagram of Fig.31 |

Notes

1. For board design without boundary scan implementation connect the $\overline{\text{TRST}}$ pin to ground.
2. This pin provides easy initialization of BST circuit. $\overline{\text{TRST}}$ can be used to force the Test Access Port (TAP) controller to the TEST_LOGIC_RESET state (normal operation) at once.
3. In accordance with the *IEEE1149.1* standard the pads TDI, TMS and $\overline{\text{TRST}}$ are input pads with an internal pull-up transistor and TDO is a 3-state output pad.

9-bit video input processor

SAA7113H

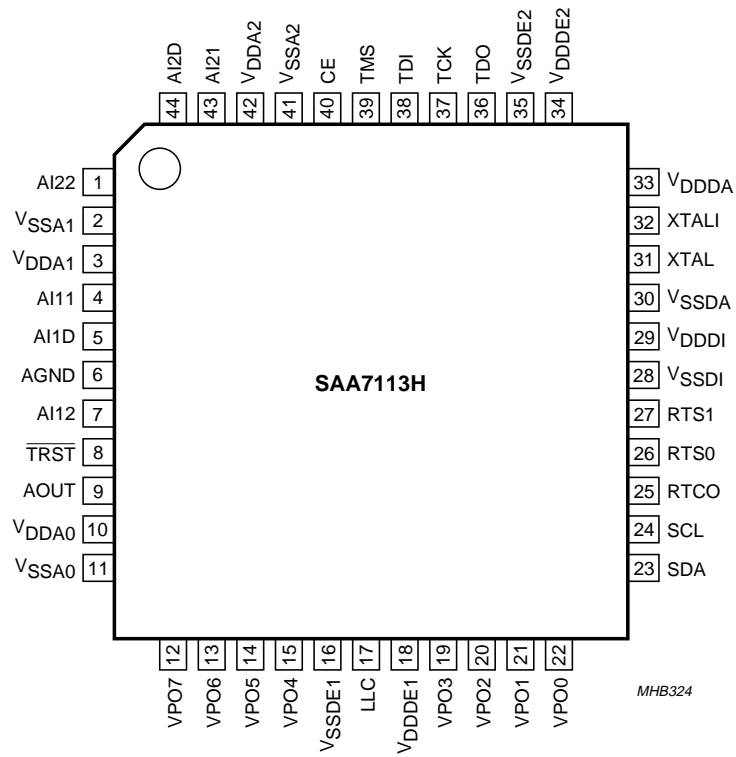


Fig.2 Pin configuration.

9-bit video input processor

SAA7113H

8 FUNCTIONAL DESCRIPTION

8.1 Analog input processing

The SAA7113H offers four analog signal inputs, two analog main channels with source switch, clamp circuit, analog amplifier, anti-alias filter and video 9-bit CMOS ADC; see Fig.6.

8.2 Analog control circuits

The anti-alias filters are adapted to the line-locked clock frequency via a filter control circuit. The characteristics are shown in Fig.3. During the vertical blanking period, gain and clamping control are frozen.

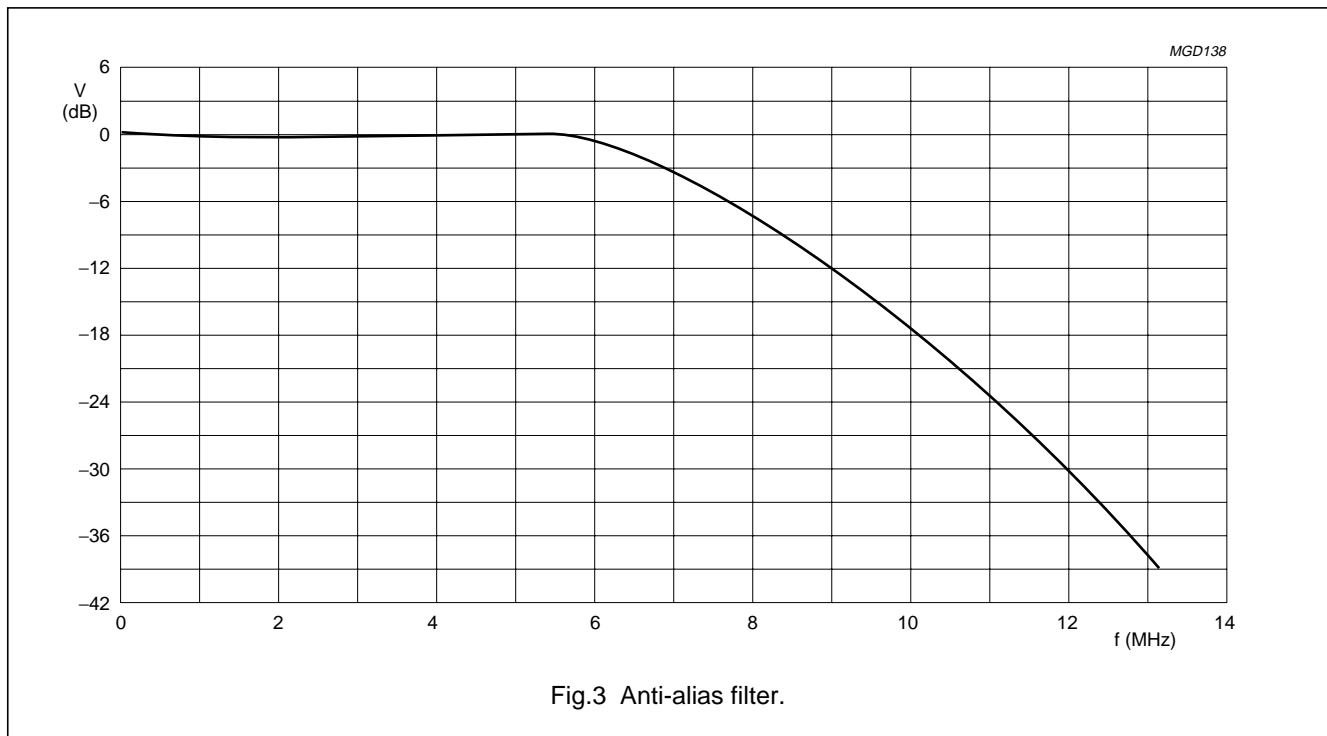


Fig.3 Anti-alias filter.

8.2.1 CLAMPING

The clamp control circuit controls the correct clamping of the analog input signals. The coupling capacitor is also used to store and filter the clamping voltage. An internal digital clamp comparator generates the information with respect to clamp-up or clamp-down. The clamping levels for the two ADC channels are fixed for luminance (120) and chrominance (256). Clamping time in normal use is set with the HCL pulse at the back porch of the video signal.

8.2.2 GAIN CONTROL

The gain control circuit receives (via the I²C-bus) the static gain levels for the two analog amplifiers or controls one of these amplifiers automatically via a built-in Automatic Gain Control (AGC) as part of the Analog Input Control (AICO). The AGC (automatic gain control for luminance) is used to amplify a CVBS or Y signal to the required signal

amplitude, matched to the ADCs input voltage range. The AGC active time is the sync bottom of the video signal.

Signal (white) peak control limits the gain at signal overshoots. The flow charts (see Figs 7 and 8) show more details of the AGC. The influence of supply voltage variation within the specified range is automatically eliminated by clamp and automatic gain control.

9-bit video input processor

SAA7113H

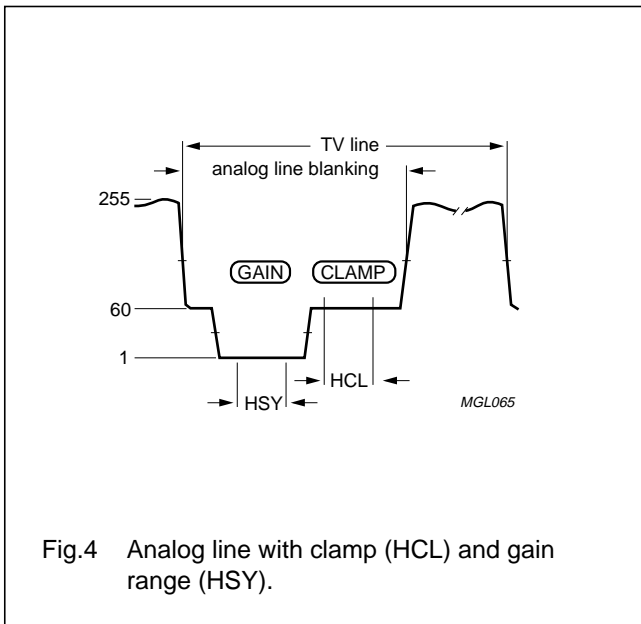


Fig.4 Analog line with clamp (HCL) and gain range (HSY).

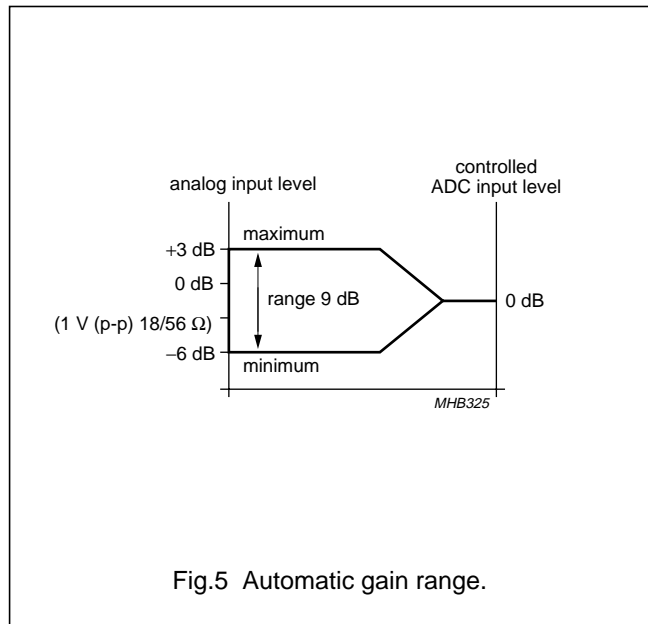


Fig.5 Automatic gain range.

9-bit video input processor

SAA7113H

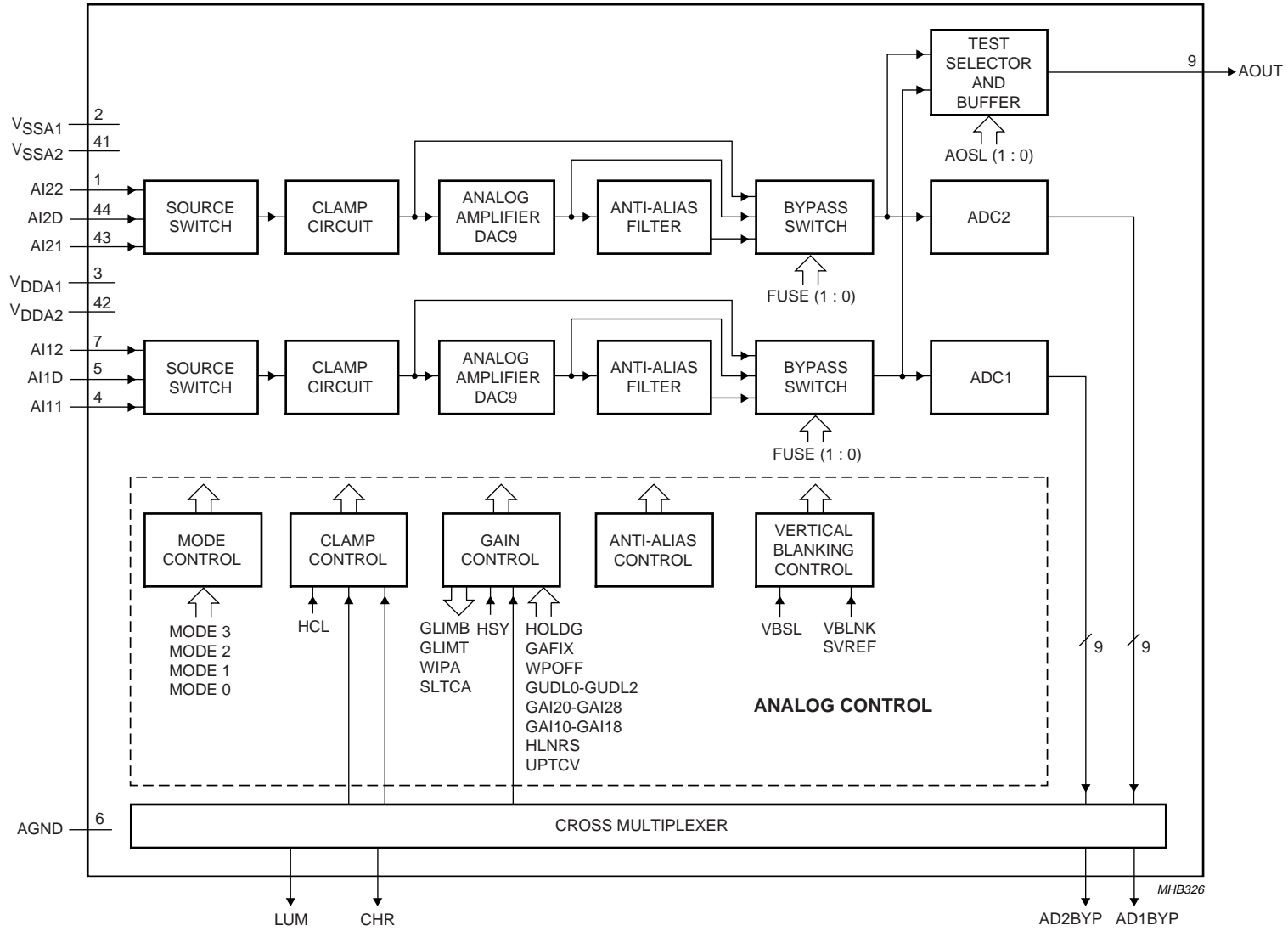
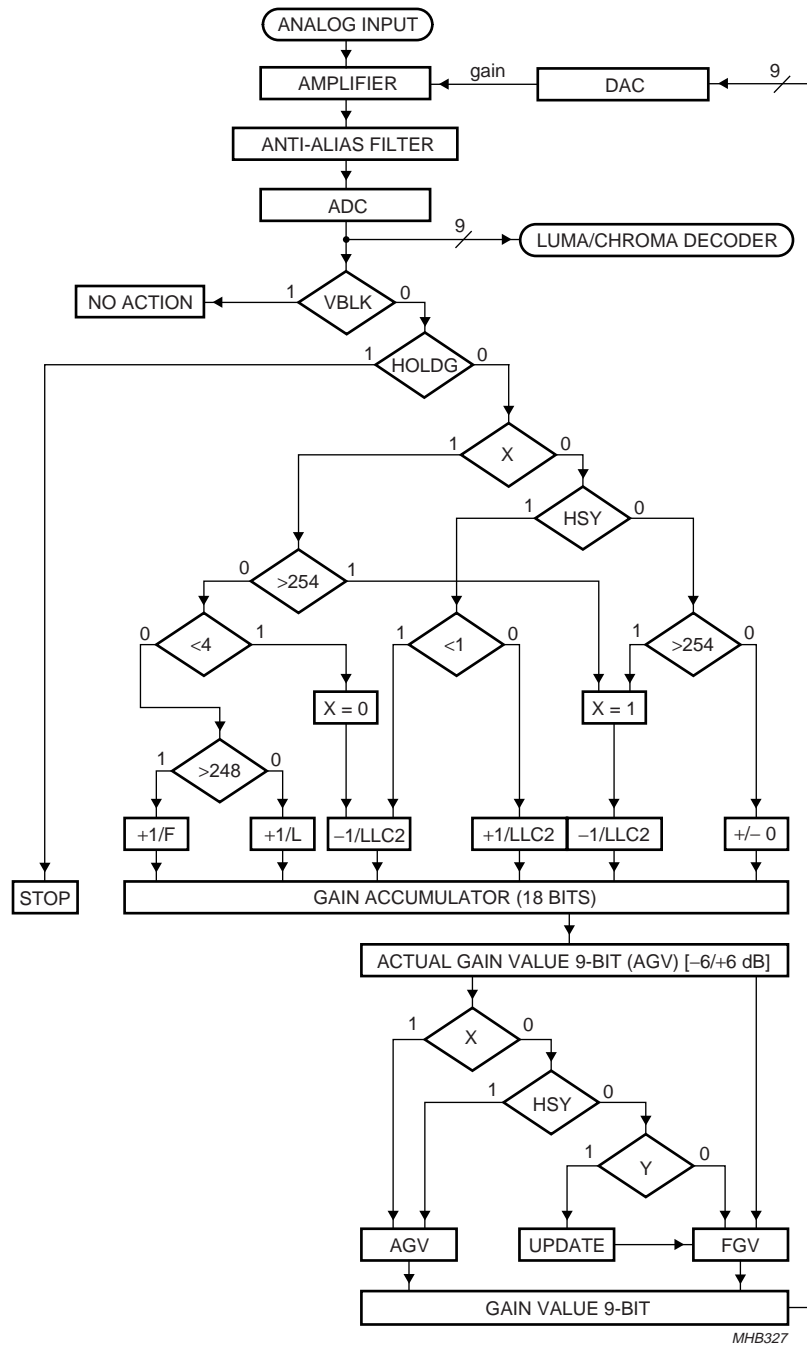


Fig.6 Analog input processing using the SAA7113H as differential front-end with 9-bit ADC.

9-bit video input processor

SAA7113H



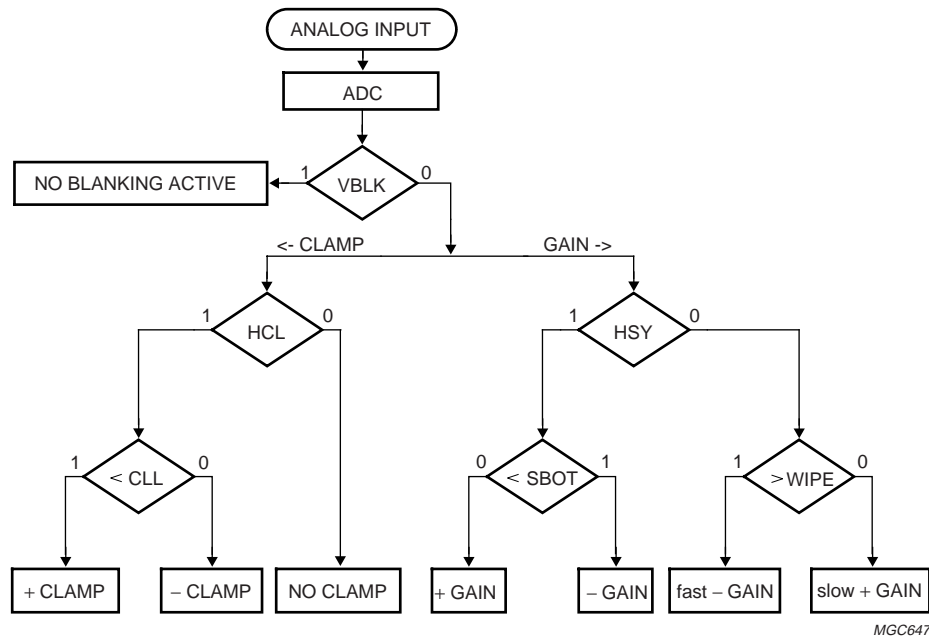
MHB327

X = system variable; Y = (IAGV - FGVI) > GUDL; VBLK = vertical blanking pulse; HSY = horizontal sync pulse; AGV = actual gain value; FGV = frozen gain value.

Fig.7 Gain flow chart.

9-bit video input processor

SAA7113H



WIPE = white peak level (254); SBOT = sync bottom level (1); CLL = clamp level [60 Y (128 C)]; HSY = horizontal sync pulse; HCL = horizontal clamp pulse.

Fig.8 Clamp and gain flow.

8.3 Chrominance processing

The 9-bit chrominance signal is fed to the multiplication inputs of a quadrature demodulator, where two subcarrier signals from the local oscillator DTO1 are applied (0 and 90° phase relationship to the demodulator axis). The frequency is dependent on the present colour standard. The output signals of the multipliers are low-pass filtered (four programmable characteristics) to achieve the desired bandwidth for the colour difference signals (PAL, NTSC) or the 0 and 90° FM signals (SECAM).

The colour difference signals are fed to the Brightness/Contrast/Saturation block (BCS), which includes the following five functions:

- AGC (automatic gain control for chrominance PAL and NTSC)
- Chrominance amplitude matching (different gain factors for (R – Y) and (B – Y) to achieve CCIR-601 levels C_R and C_B for all standards)
- Chrominance saturation control

- Luminance contrast and brightness
- Limiting YUV to the values 1 (minimum) and 254 (maximum) to fulfil CCIR-601 requirements.

The SECAM-processing contains the following blocks:

- Baseband 'bell' filters to reconstruct the amplitude and phase equalized 0 and 90° FM signals
- Phase demodulator and differentiator (FM-demodulation)
- De-emphasis filter to compensate the pre-emphasized input signal, including frequency offset compensation (DB or DR white carrier values are subtracted from the signal, controlled by the SECAM switch signal).

The burst processing block provides the feedback loop of the chrominance PLL and contains:

- Burst gate accumulator
- Colour identification and killer
- Comparison nominal/actual burst amplitude (PAL/NTSC standards only)

9-bit video input processor

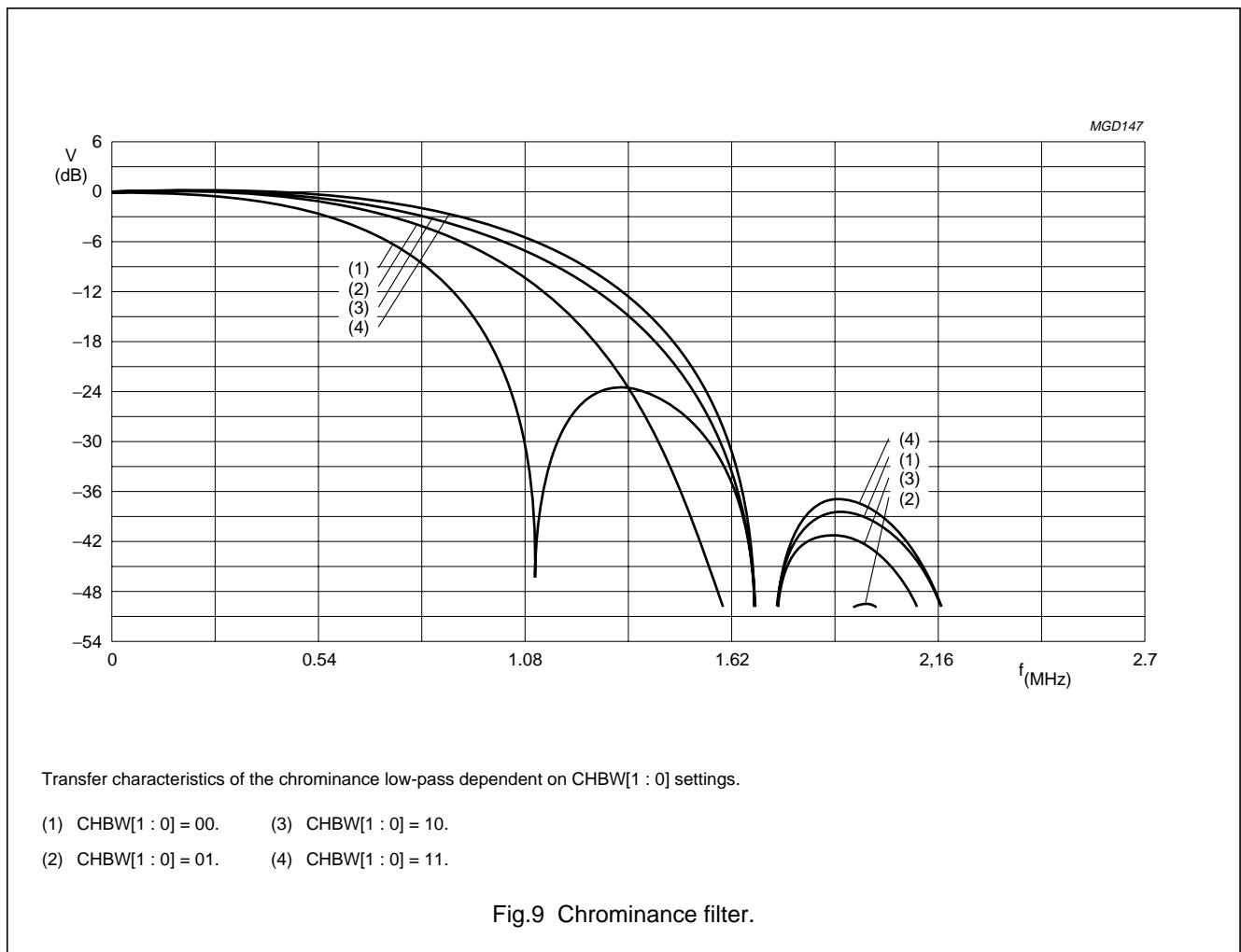
SAA7113H

- Loop filter chrominance gain control (PAL/NTSC standards only)
- Loop filter chrominance PLL (only active for PAL/NTSC standards)
- PAL/SECAM sequence detection, H/2-switch generation
- Increment generation for DTO1 with divider to generate stable subcarrier for non-standard signals.

The chrominance comb filter block eliminates crosstalk between the chrominance channels in accordance with the PAL standard requirements.

For NTSC colour standards the chrominance comb filter can be used to eliminate crosstalk from luminance to chrominance (cross-colour) for vertical structures. The comb filter can be switched off if desired. The embedded line delay is also used for SECAM recombination (cross-over switches).

The resulting signals are fed to the variable Y-delay compensation and the output interface, which contains the VPO output formatter and the output control logic, see Fig.10.



9-bit video input processor

SAA7113H

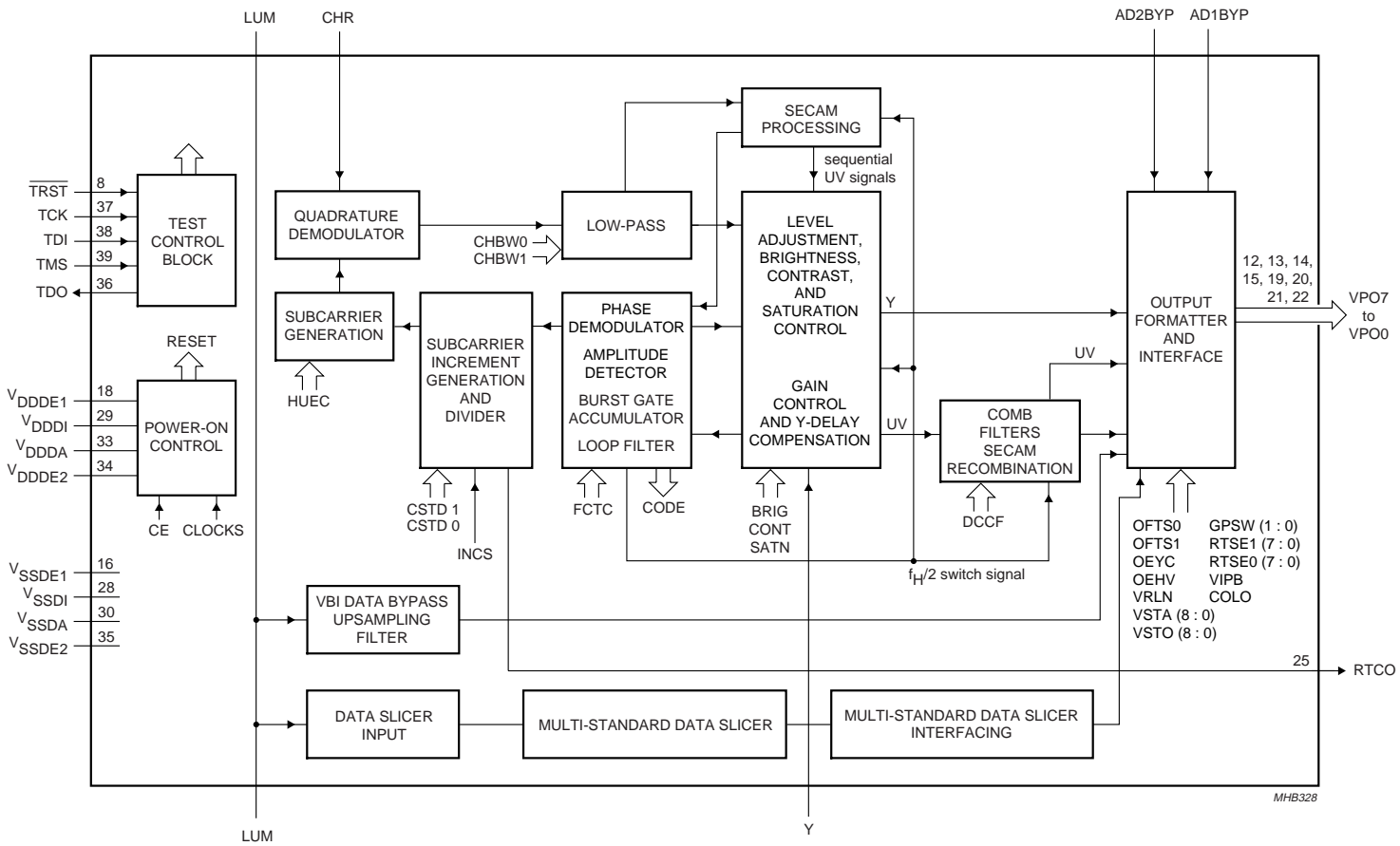


Fig.10 Chrominance circuit, text slicer, VBI-bypass, output formatting, power and test control.

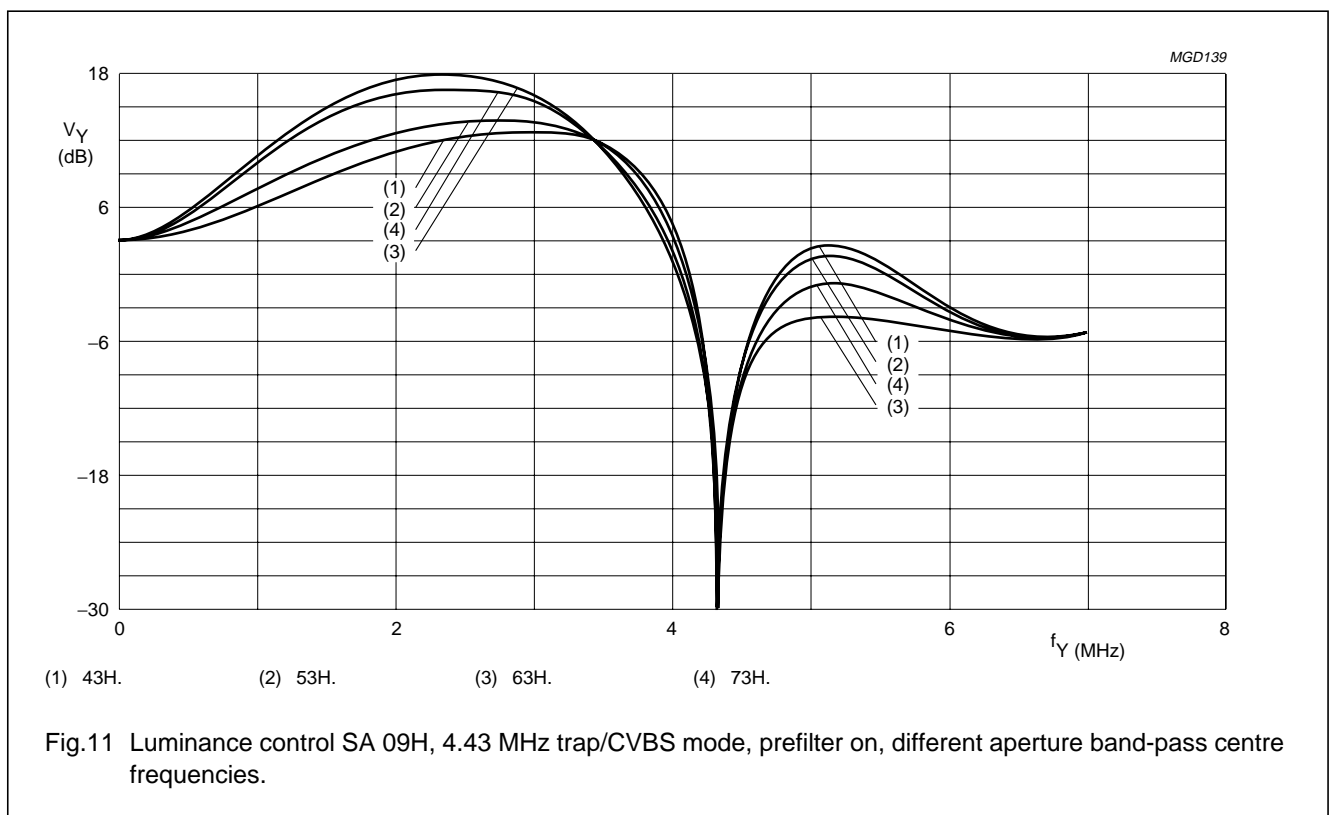
9-bit video input processor

SAA7113H

8.4 Luminance processing

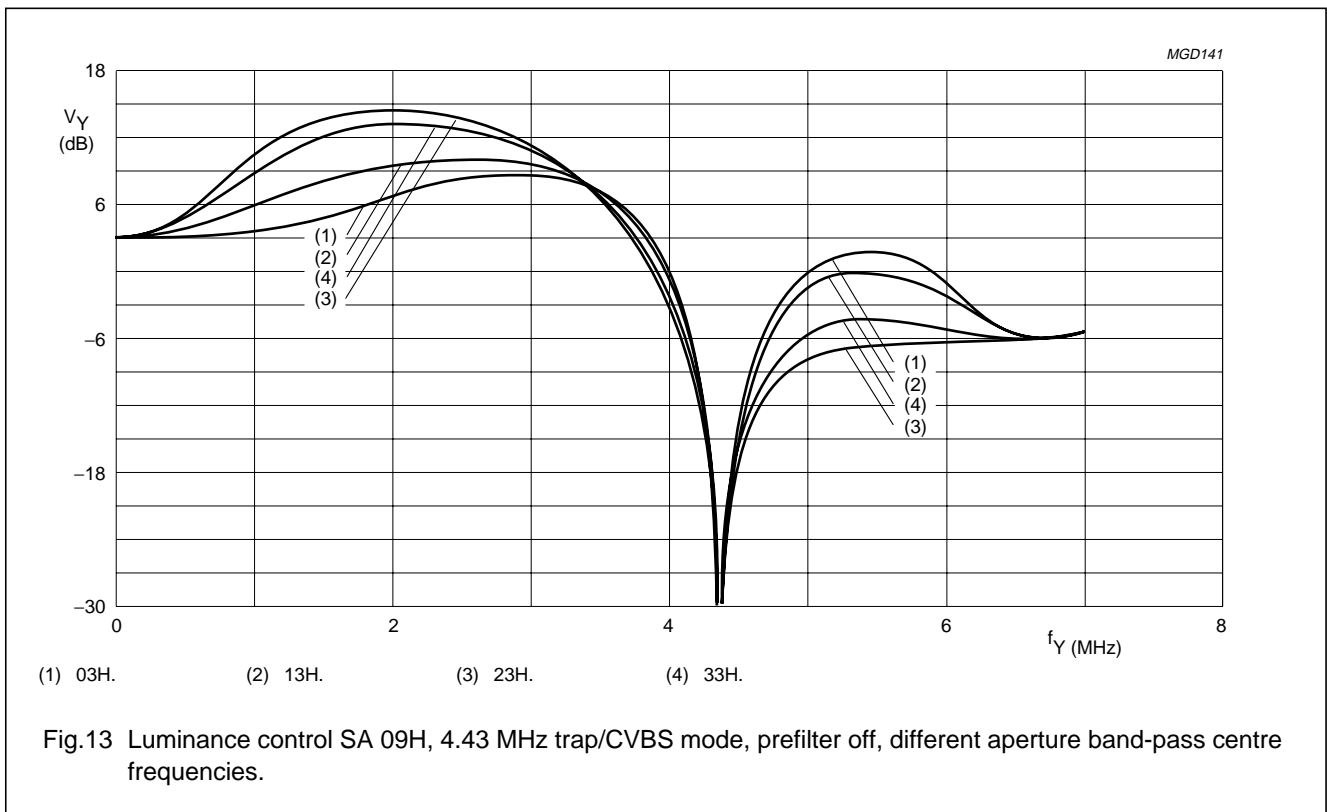
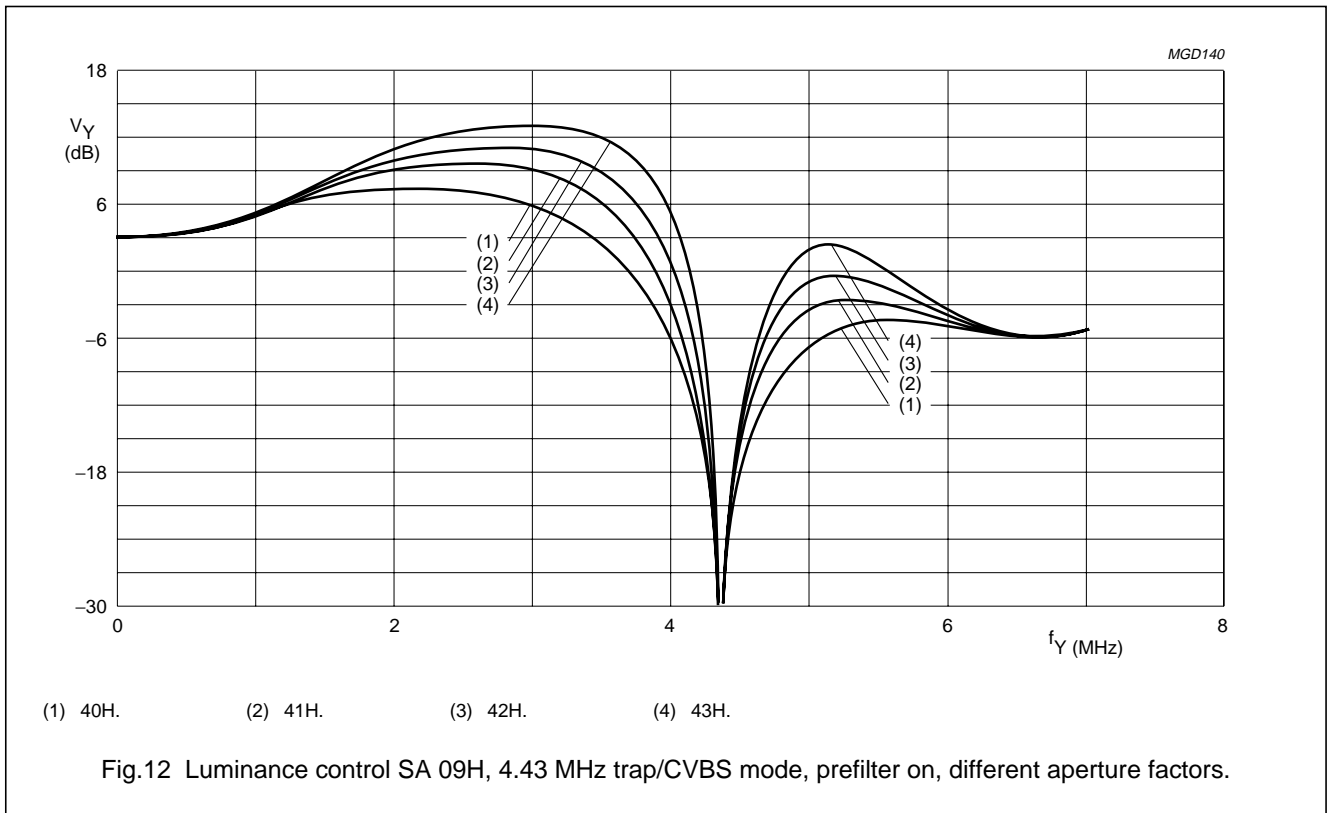
The 9-bit luminance signal, a digital CVBS format or a luminance format (S-VHS, HI8), is fed through a switchable prefilter. High frequency components are emphasized to compensate for loss. The following chrominance trap filter ($f_0 = 4.43$ or 3.58 MHz centre frequency set according to the selected colour standard) eliminates most of the colour carrier signal. It should be bypassed via I²C-bit BYPS (subaddress 09H, bit 7) for S-video (S-VHS, HI8) signals.

The high frequency components of the luminance signal can be peaked (control for sharpness improvement via I²C-bus subaddress 09H, see Table 36) in two band-pass filters with selectable transfer characteristic. This signal is then added to the original (unpeaked) signal. For the resulting frequency characteristics see Figs 11 to 18. A switchable amplifier achieves common DC amplification, because the DC gains are different in both chrominance trap modes. The improved luminance signal is fed to the BCS control located in the chrominance processing block, see Fig.19.



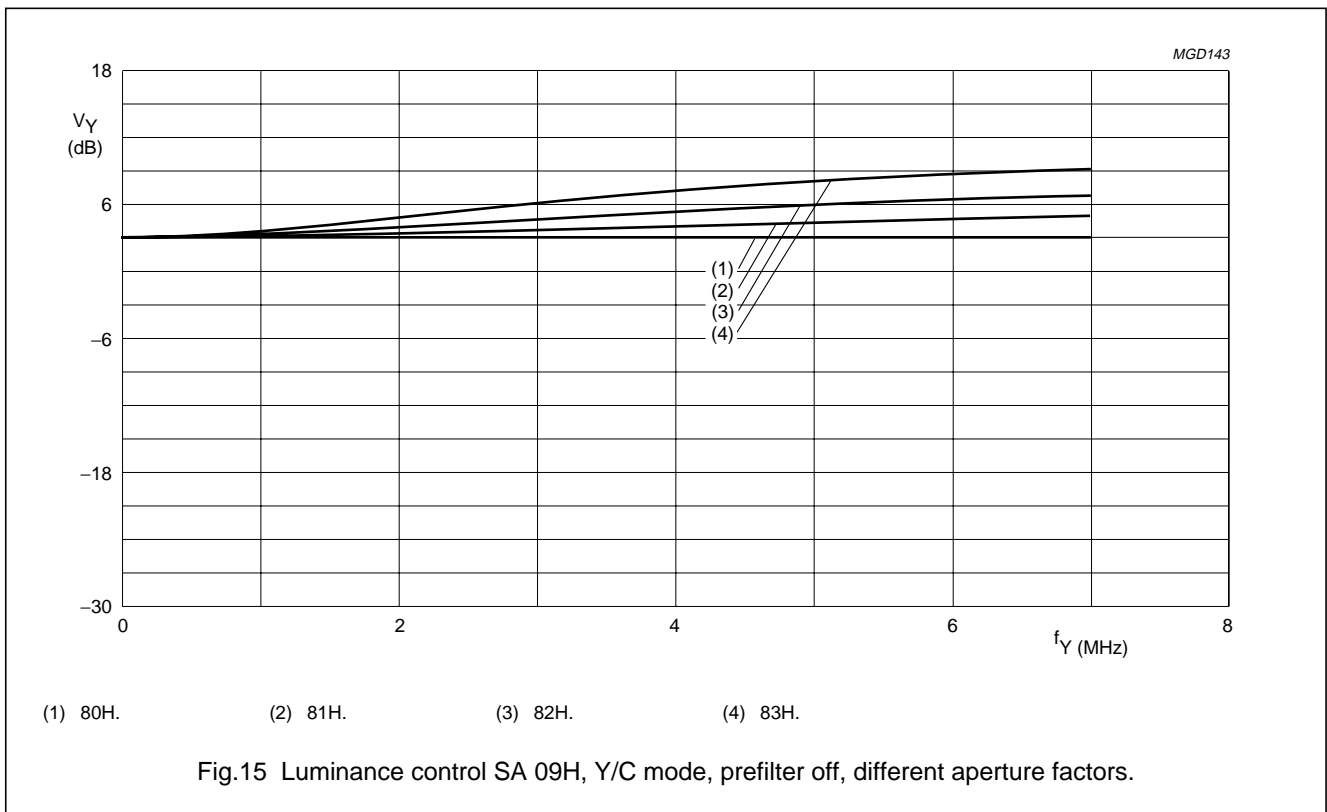
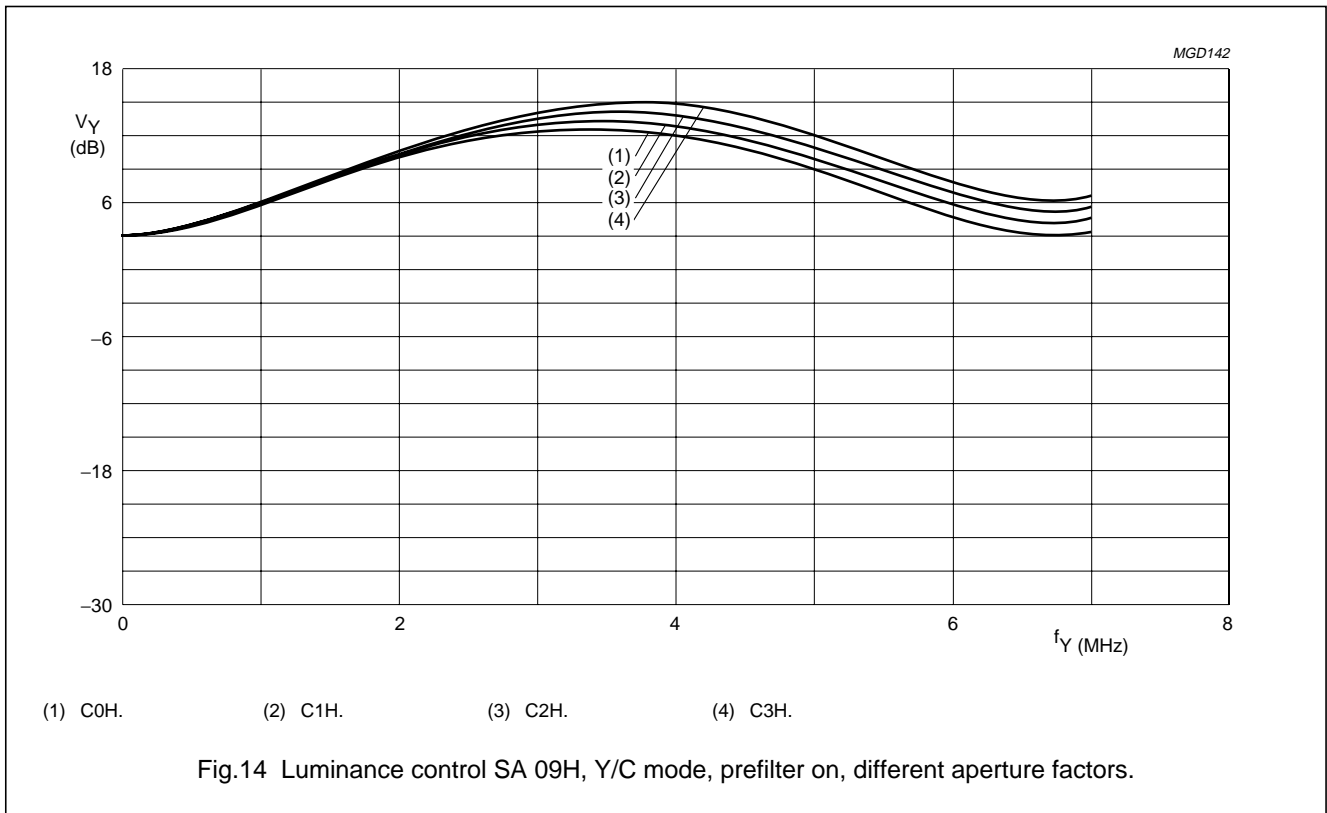
9-bit video input processor

SAA7113H



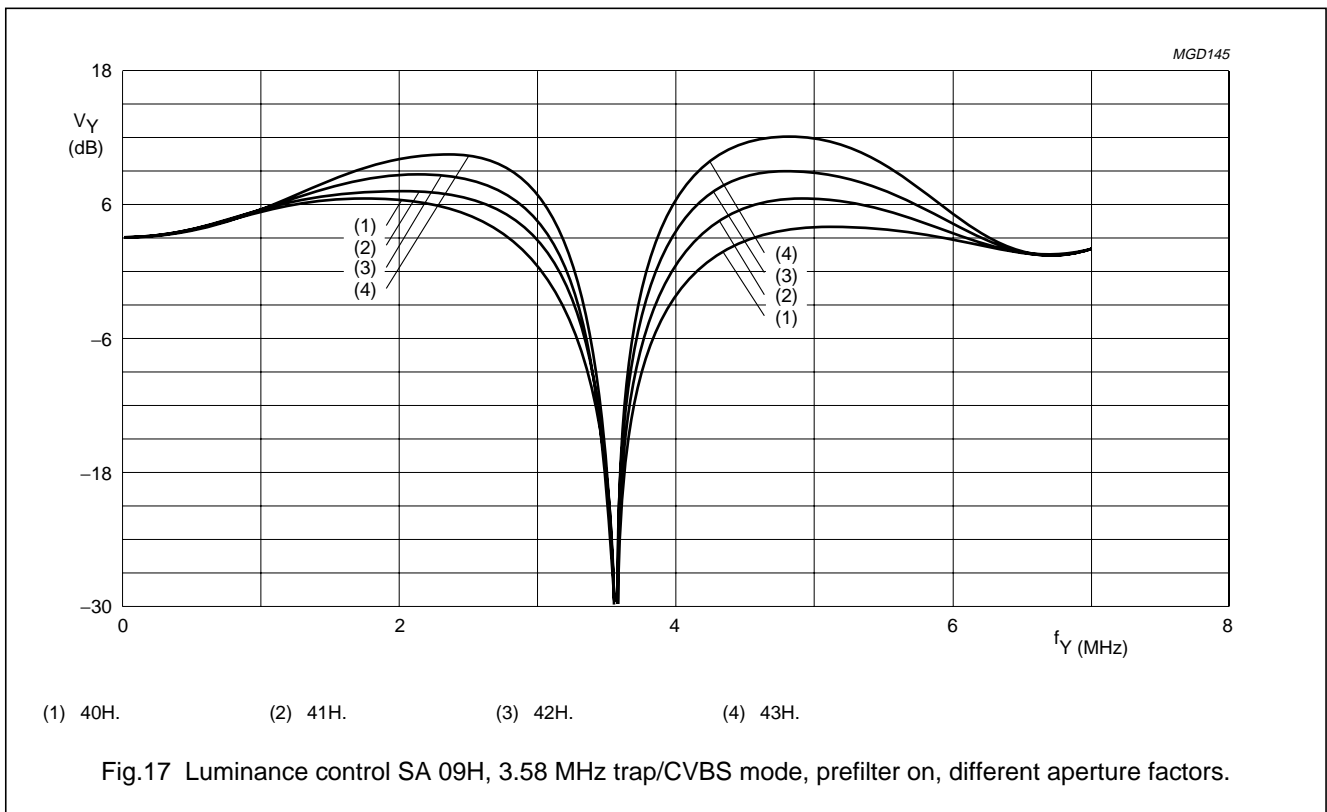
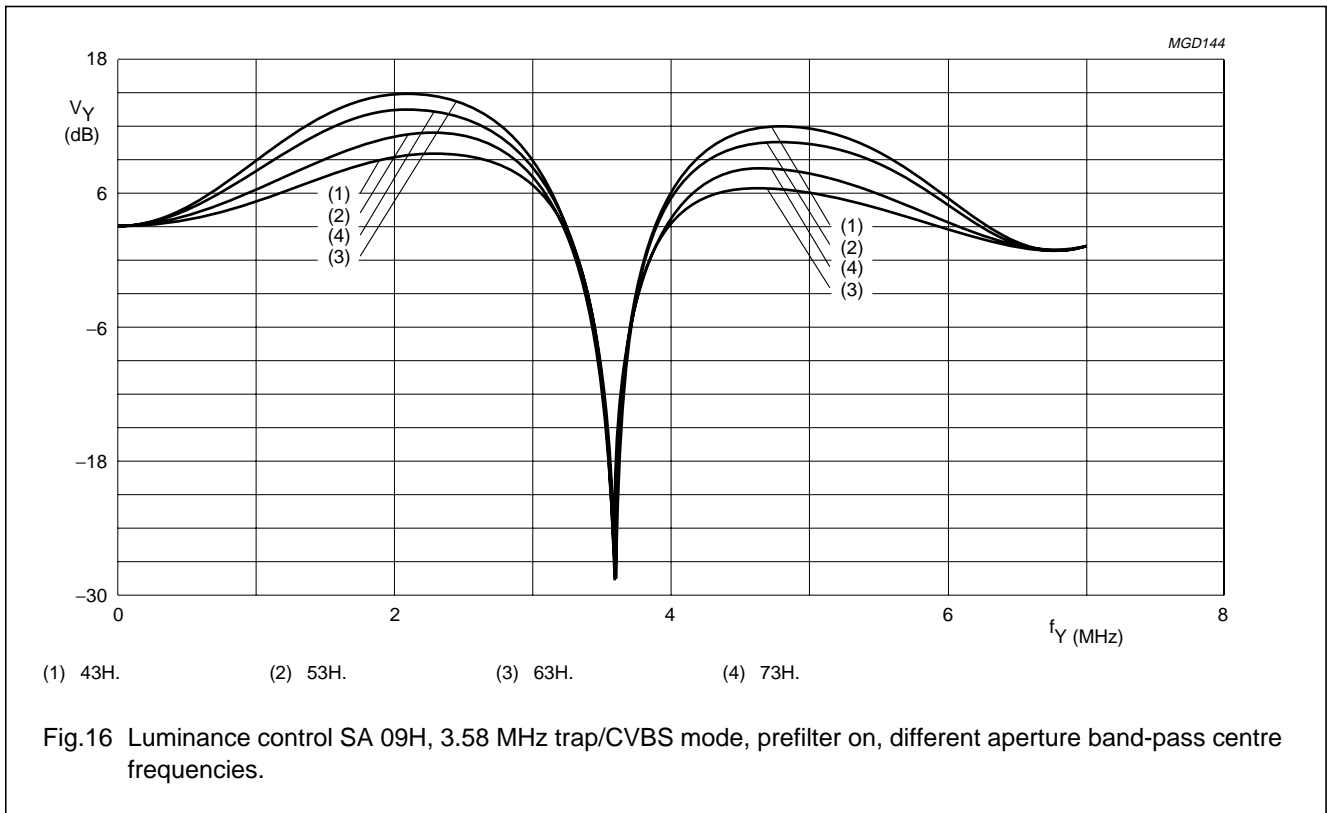
9-bit video input processor

SAA7113H



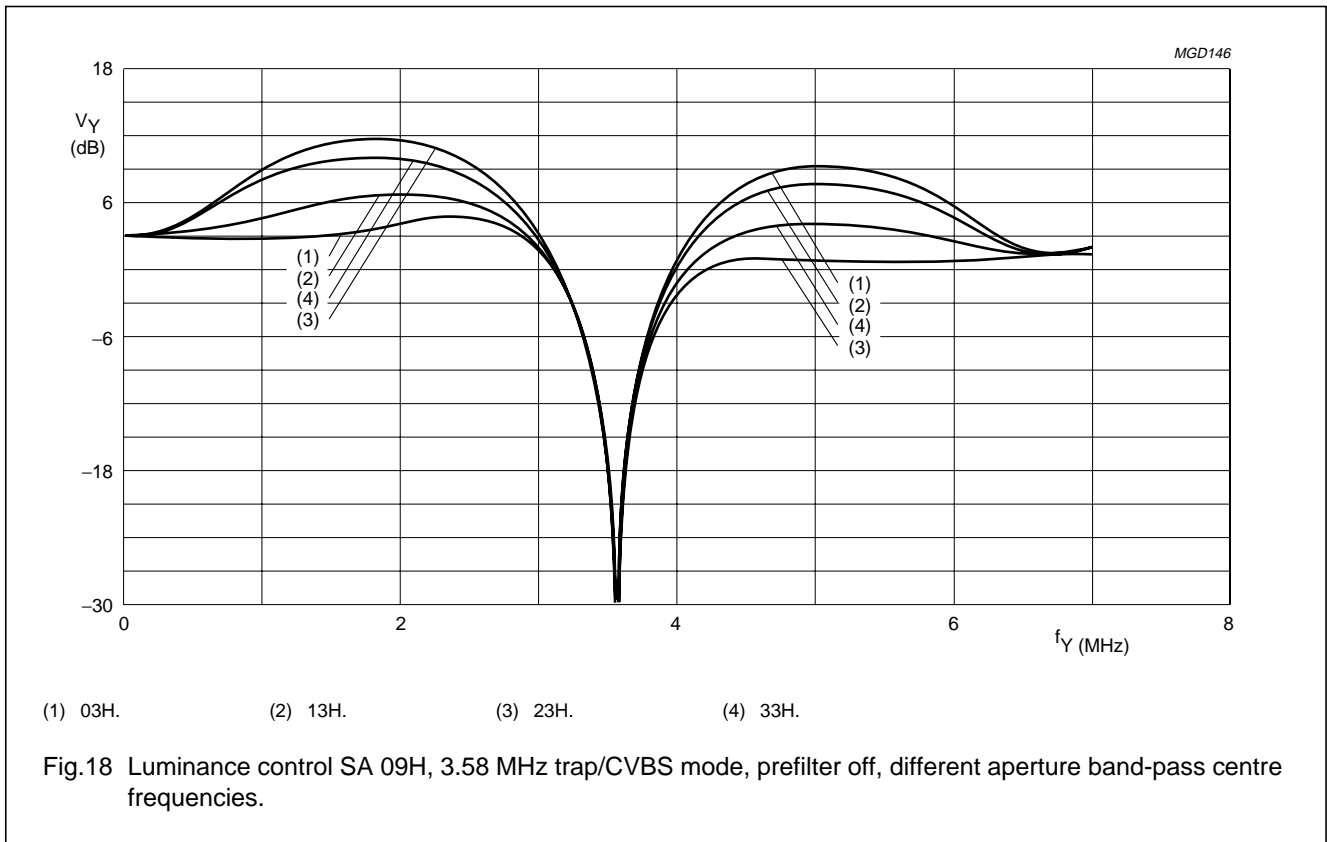
9-bit video input processor

SAA7113H



9-bit video input processor

SAA7113H



9-bit video input processor

SAA7113H

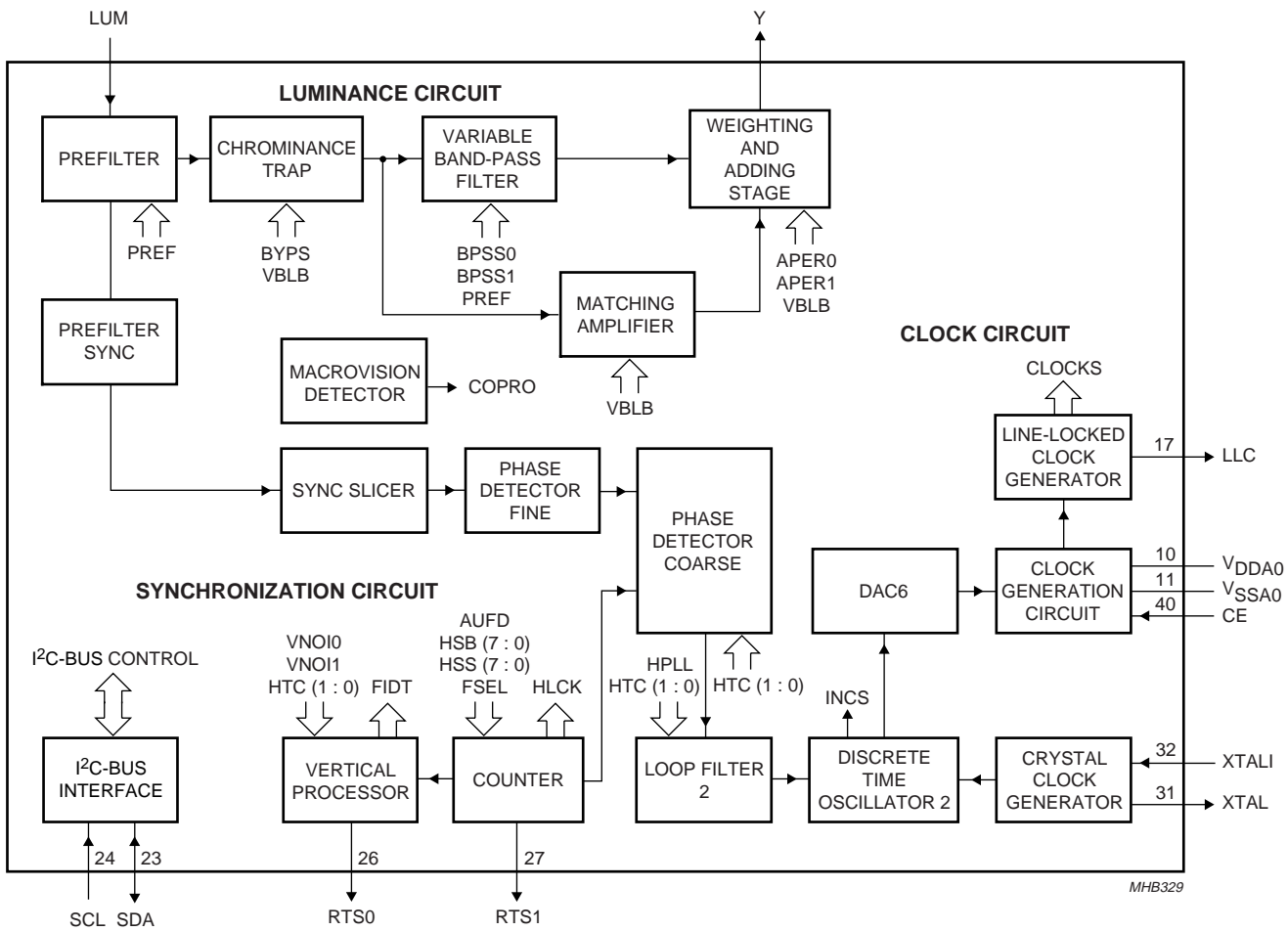


Fig.19 Luminance and sync processing.

MHB329

9-bit video input processor

SAA7113H

8.5 Synchronization

The prefiltered luminance signal is fed to the synchronization stage. Its bandwidth is further reduced to 1 MHz in a low-pass filter. The sync pulses are sliced and fed to the phase detectors where they are compared with the sub-divided clock frequency. The resulting output signal is applied to the loop filter to accumulate all phase deviations. Internal signals (e.g. HCL and HSY) are generated in accordance with analog front-end requirements. The loop filter signal drives an oscillator to generate the line frequency control signal LLC, see Fig.19.

The detection of 'pseudo syncs' as part of the macrovision copy protection standard is also done within the synchronization circuit.

The result is reported as flag COPRO within the decoder status byte at subaddress 1FH.

8.6 Clock generation circuit

The internal CGC generates all clock signals required for the video input processor. The internal signal LFCO is a digital-to-analog converted signal provided by the horizontal PLL. It is the multiple of the line frequency [6.75 MHz = 429 × f_H (50 Hz) or 432 × f_H (60 Hz)].

Internally the LFCO signal is multiplied by a factor of 2 and 4 in the PLL circuit (including phase detector, loop filtering, VCO and frequency divider) to obtain the output clock signals. The rectangular output clocks have a 50% duty factor.

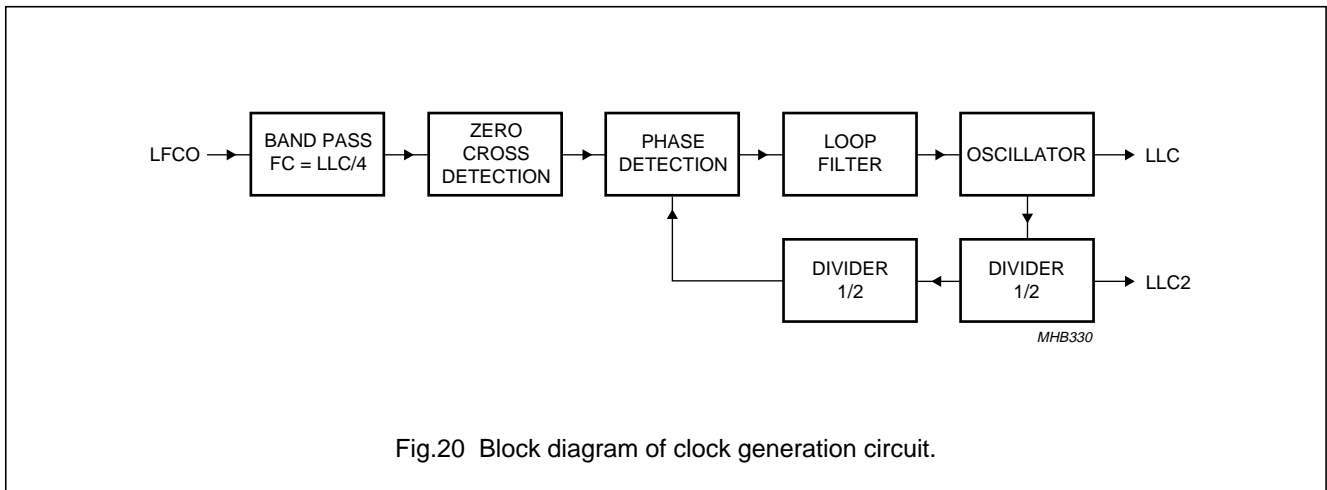


Fig.20 Block diagram of clock generation circuit.

Table 1 Clock frequencies

| CLOCK | FREQUENCY (MHz) |
|-----------------|-----------------|
| XTAL | 24.576 |
| LLC | 27 |
| LLC2 (internal) | 13.5 |
| LLC4 (internal) | 6.75 |
| LLC8 (virtual) | 3.375 |

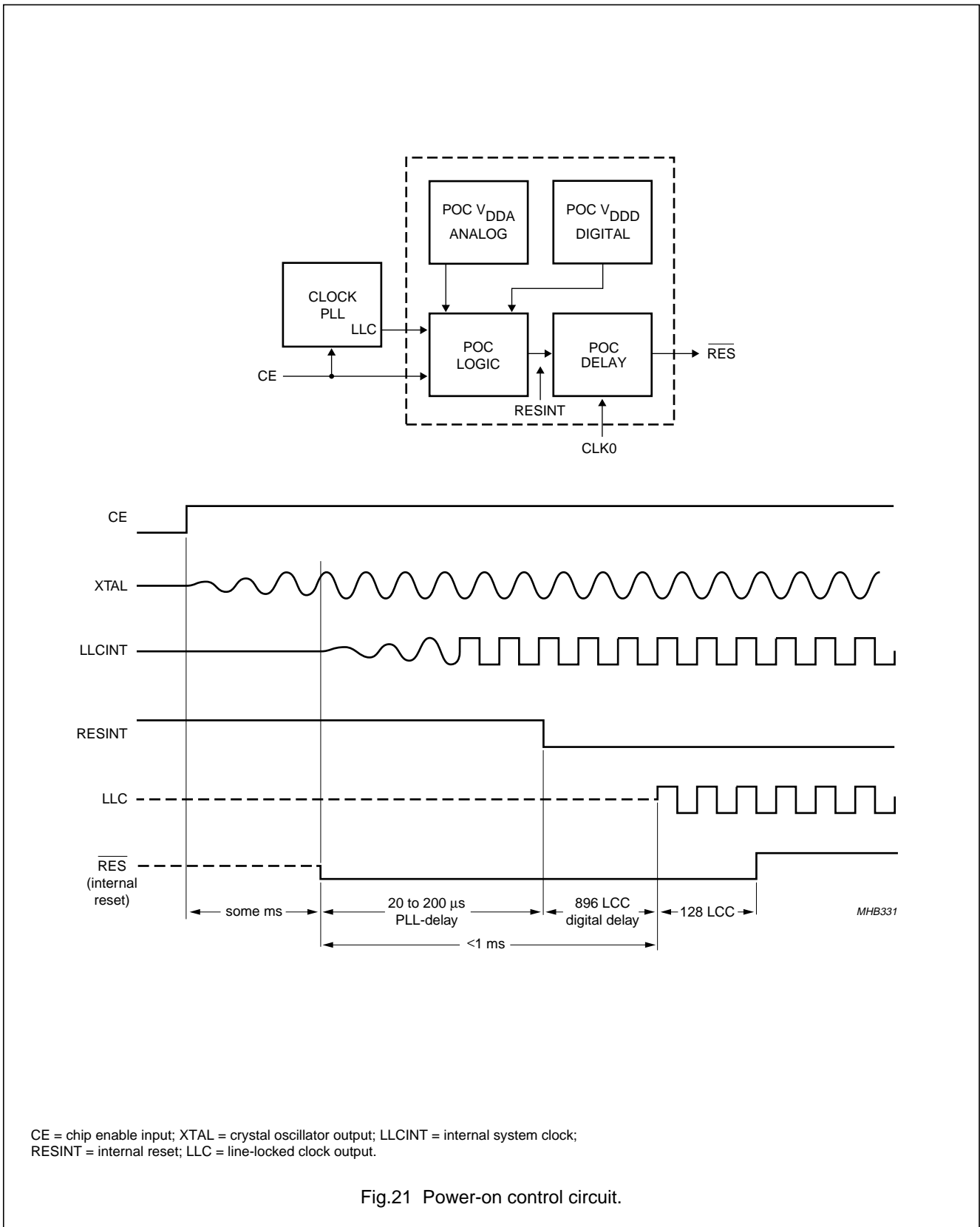
8.7 Power-on reset and CE input

A missing clock, insufficient digital or analog V_{DDA0} supply voltages (below 2.8 V) will initiate the reset sequence; all outputs are forced to 3-state (see Fig.21).

It is possible to force a reset by pulling the Chip Enable (CE) to ground. After the rising edge of CE and sufficient power supply voltage, the outputs LLC and SDA return from 3-state to active, while RTS0, RTS1 and RTCO remain in 3-state and have to be activated via I²C-bus programming (see Table 2).

9-bit video input processor

SAA7113H



9-bit video input processor

SAA7113H

Table 2 Power-on control sequence

| INTERNAL POWER-ON CONTROL SEQUENCE | PIN OUTPUT STATUS | REMARKS |
|--|---|--|
| Directly after power-on asynchronous reset | VPO7 to VPO0, RTCO, RTS0, RTS1, SDA and LLC are in high-impedance state | direct switching to high-impedance for 20 to 200 ms |
| Synchronous reset sequence | LLC and SDA become active; VPO7 to VPO0, RTCO, RTS0 and RTS1 are held in high-impedance state | internal reset sequence |
| Status after power-on control sequence | VPO7 to VPO0, RTCO, RTS0 and RTS1 are held in high-impedance state | after power-on (reset sequence) a complete I ² C-bus transmission is required |

8.8 Multi-standard VBI data slicer

The multi-standard data slicer is a Vertical Blanking Interval (VBI) and Full Field (FF) video data acquisition block. In combination with software modules the slicer acquires most existing formats of broadcast VBI and FF data.

The implementation and programming model of the multi-standard VBI data slicer is similar to the text slicer built in the "Multimedia Video Data Acquisition Circuit SAA5284".

The circuitry recovers the actual clock phase during the clock-run-in-period, slices the data bits with the selected data rate, and groups them into bytes. The clock frequency, signals source, field frequency and accepted error count must be defined via the I²C-bus in subaddress 40H, AC1: bits D7 to D4.

Several standards can be selected per VBI line. The supported VBI data standards are described in Table 3.

The programming of the desired standards is done via I²C-bus subaddresses 41H to 57H (LCR2[7 : 0] to LCR24[7 : 0]); see detailed description in Chapter 8.10. To adjust the slicers processing to the signals source, there are offsets in horizontal and vertical direction available via the I²C-bus in subaddresses 5BH (bits 2 to 0), 59H (HOFF10 to HOFF0) and 5BH (bit 4), 5AH (VOFF8 to VOFF0). The formatting of the decoded VBI data is done within the output interface to the VPO-bus. For a detailed description of the sliced data format see Table 17.

Table 3 Supported VBI standards

| STANDARD TYPE | DATA RATE (Mbits/s) | FRAMING CODE | FC WINDOW | HAM CHECK |
|---------------------------------|---------------------|--------------------|--------------|-----------|
| Teletext EuroWST, CCST | 6.9375 | 27H | WST625 | always |
| European closed caption | 0.500 | 001 | CC625 | |
| VPS | 5 | 9951H | VPS | |
| Wide screen signalling bits | 5 | 1E3C1FH | WSS | |
| US teletext (WST) | 5.7272 | 27H | WST525 | always |
| US closed caption (line 21) | 0.503 | 001 | CC525 | |
| Teletext | 6.9375 | programmable | general text | optional |
| VITC/EBU time codes (Europe) | 1.8125 | programmable | VITC625 | |
| VITC/SMPTE time codes (USA) | 1.7898 | programmable | VITC625 | |
| US NABTS | 5.7272 | programmable | NABTS | optional |
| MOJI (Japanese) | 5.7272 | programmable (A7H) | Japtext | |
| Japanese format switch (L20/22) | 5 | programmable | | |

9-bit video input processor

SAA7113H

8.9 VBI-raw data bypass

For a 27 MHz VBI-raw data bypass the digitized CVBS signal is upsampled after AD-conversion. Suppressing of the back folded CVBS frequency components after upsampling is achieved by an interpolation filter; see Fig.22.

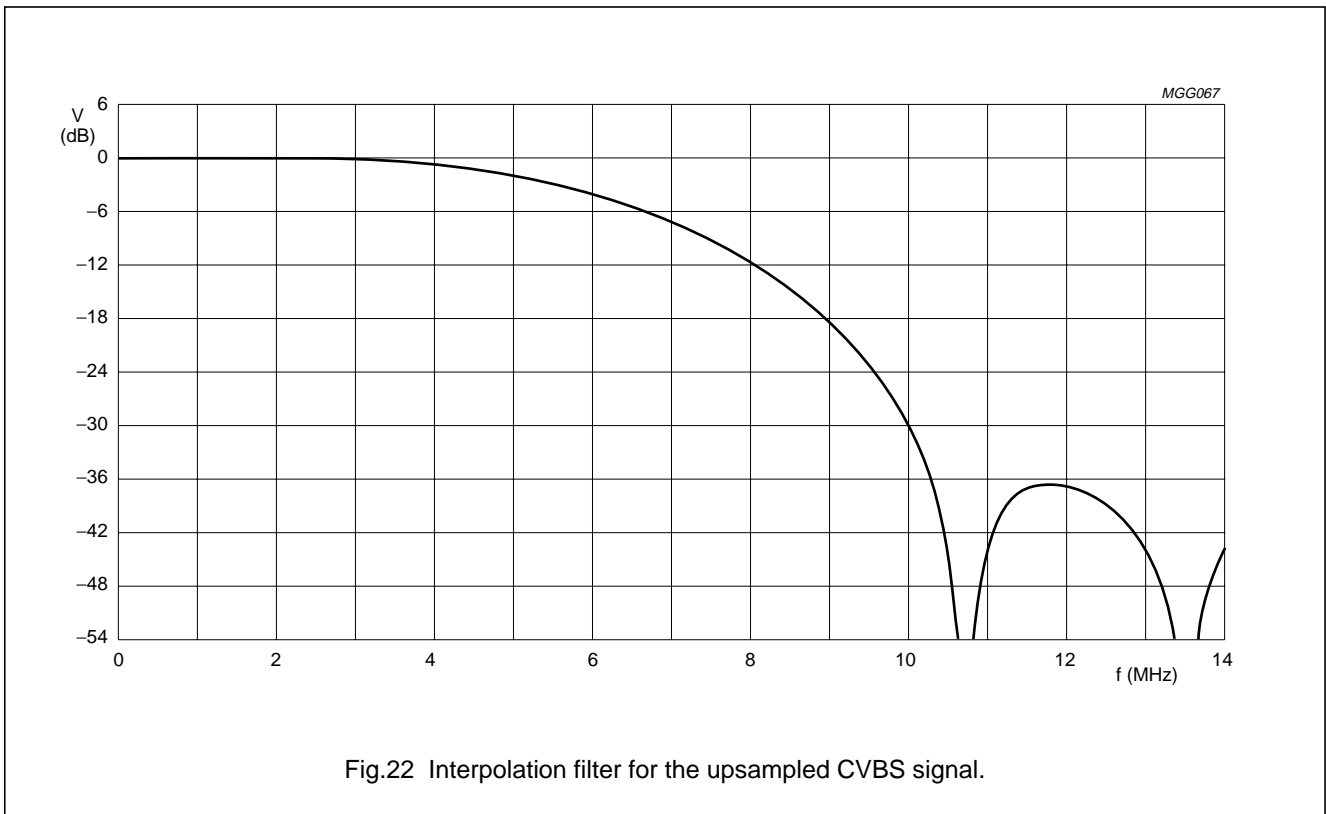


Fig.22 Interpolation filter for the upsampled CVBS signal.

9-bit video input processor

SAA7113H

8.10 Digital output port VPO7 to VPO0

The 8-bit VPO-bus can carry 16 data types in three different formats, selectable by the control registers LCR2 to LCR24 (see also Chapter 15, subaddresses 41H to 57H).

Table 4 VPO-bus data formats and types

| DATA TYPE NUMBER | DATA FORMAT | DATA TYPE | NAME | NUMBER OF VALID BYTES SENT PER LINE |
|------------------|---------------|---|--------------|-------------------------------------|
| 0 | sliced | teletext EuroWST, CCST | WST625 | 88 |
| 1 | sliced | European closed caption | CC625 | 8 |
| 2 | sliced | VPS | VPS | 56 |
| 3 | sliced | Wide screen signalling bits | WSS | 32 |
| 4 | sliced | US teletext (WST) | WST525 | 72 |
| 5 | sliced | US closed caption (line 21) | CC525 | 8 |
| 6 | YUV 4 : 2 : 2 | video component signal, VBI region | test line | 1440 |
| 7 | raw | oversampled CVBS data | intercast | programmable |
| 8 | sliced | teletext | general text | 88 |
| 9 | sliced | VITC/EBU time codes (Europe) | VITC625 | 26 |
| 10 | sliced | VITC/SMPTE time codes (USA) | VITC625 | 26 |
| 11 | reserved | reserved | – | – |
| 12 | sliced | US NABTS | NABTS | 72 |
| 13 | sliced | MOJI (Japanese) | Japtext | 74 |
| 14 | sliced | Japanese format switch (L20/22) | JFS | 56 |
| 15 | YUV 4 : 2 : 2 | video component signal, active video region | active video | 1440 |

Note

1. The number of valid bytes per line can be less for the sliced data format if standard not recognized (wrong standard or poor input signal).

For each LCR value from 2 to 23 the data type can be programmed individually. LCR2 to LCR23 refer to line numbers. The selection in LCR24 values is valid for the rest of the corresponding field. The upper nibble contains the value for field 1 (odd), the lower nibble for field 2 (even). The relationship between LCR values and line numbers can be adjusted via VOFF8 to VOFF0 (located in subaddresses 5BH, bit 4 and 5AH, bits 7 to 0).

The recommended values are 07H for 50 Hz sources and 0AH for 60 Hz sources, to accommodate line number conventions as used for PAL, SECAM and NTSC standards; see Tables 8 to 11.

9-bit video input processor

SAA7113H

Some details about data types:

- **Active video** (data type 15) component YUV 4 : 2 : 2 signal, 720 active pixels per line. Format and nominal levels are given in Fig.23 and Table 13.
- **Test line** (data type 6), is similar to decoded YUV-data as in active video, with two exceptions:
 - vertical filter (chrominance comb filter for NTSC standards, PAL-phase-error correction) within the chrominance processing is disabled
 - peaking and chrominance trap are bypassed within the luminance processing, if I²C-bus bit VBLB is set. This data type is defined for future enhancements; it could be activated for lines containing standard test signals within the vertical blanking period; currently the most sources do not contain test lines.

This data type is available only in lines with VREF = 0, see I²C-bus detail section, Table 45.
Format and nominal levels are given in Fig.23 and Table 13.
- **Raw samples** (data type 7) oversampled CVBS-signal for intercast applications; the data rate is 27 MHz. The horizontal range is programmable via HSB7 to HSB0, HSS7 to HSS0 and HDEL1 to HDEL0;

see I²C-bus section subaddresses 06H, 07H and 10H and Tables 33, 34 and 46.
Format and nominal levels are given in Fig.24 and Table 15.

- **Sliced data** (various standards, data types 0 to 5 and 8 to 14).
The format is given in Table 17.

The data type selections by LCR are overruled by setting VIPB (subaddress 11H bit 1) to logic 1. This setting is mainly intended for device production tests. The VPO-bus carries the upper or lower 8 bits of the two ADCs depending on the ADLSB (subaddress 13H bit 7) setting. The output configuration is done via MODE3 to MODE0 settings (subaddress 02H bits 3 to 0, see Table 27). If the YC-mode is selected, the VPO-bus carries the multiplexed output signals of both ADCs, in CVBS-mode the output of only one ADC. No timing reference codes are generated in this mode.

Note: The LSBs (bit 0) of the ADCs are available on pins RTS0 or RTS1. See Chapter 15, subaddress 12H for details.

The SAV/EAV timing reference codes define start and end of valid data regions.

Table 5 SAV/EAV format

| BIT 7 | BIT 6 (F) | BIT 5 (V) | BIT 4 (H) | BIT 3 (P3) | BIT 2 (P2) | BIT 1 (P1) | BIT 0 (P0) |
|-------|--|---|-------------------------------|---|------------|------------|------------|
| 1 | field bit 1st field: F = 0; 2nd field: F = 1; for vertical timing see Tables 6 and 7 | vertical blanking bit VBI: V = 1; active video: V = 0; for vertical timing see Tables 6 and 7 | H = 0 in SAV; H = 1 in EAV | reserved; evaluation not recommended (protection bits according to ITU 656) | | | |

The generation of the H-bit and consequently the timing of SAV/EAV corresponds to the selected data format. H = 0 during active data region. For all data formats excluding data type 7 (raw data), the length of the active data region is 1440 LLC. For the YUV 4 : 2 : 2 formats (data types 15 and 6) every clock cycle within this range contains valid data, see Table 13.

The sliced data stream (various standards, data types 0 to 5 and 8 to 14; see Table 17) contains also invalid cycles marked as 00H.

The length of the raw data region (data type 7) is programmable via HSB7 to HSB0 and HSS7 to HSS0 (subaddresses 06H and 07H; see Fig.24).

During horizontal blanking period between EAV and SAV the ITU-blanking code sequence '-80-10-80-10-...' is transmitted.

The position of the F-bit is constant according to ITU 656 (see Tables 6 and 7).

The V-bit can be generated in four different ways (see Tables 6 and 7) controlled via OFTS1 and OFTS0 (subaddress 10H, bits 7 and 6), VRLN (subaddress 10H, bit 3) and LCR2 to LCR24 (subaddresses 41H to 57H).

F and V bits change synchronously with the EAV code.

9-bit video input processor

SAA7113H

Table 6 525 lines/60 Hz vertical timing

| LINE NUMBER | F (ITU 656) | V | | | OFTS1 = 1; OFTS0 = 0 |
|-------------|----------------|--------------------------------------|-------------------------|----------|---|
| | | OFTS1 = 0; OFTS0 = 0 (ITU 656) | OFTS1 = 0; OFTS0 = 1 | | |
| | | | VRLN = 0 | VRLN = 1 | |
| 1 to 3 | 1 | 1 | 1 | 1 | according to selected data type via LCR2 to LCR24 (subaddresses 41H to 57H): data types 0 to 14: V = 1; data type 15: V = 0 |
| 4 to 19 | 0 | 1 | 1 | 1 | |
| 20 | 0 | 0 | 1 | 1 | |
| 21 | 0 | 0 | 1 | 0 | |
| 22 to 261 | 0 | 0 | 0 | 0 | |
| 262 | 0 | 0 | 1 | 0 | |
| 263 | 0 | 0 | 1 | 1 | |
| 264 and 265 | 0 | 1 | 1 | 1 | |
| 266 to 282 | 1 | 1 | 1 | 1 | |
| 283 | 1 | 0 | 1 | 1 | |
| 284 | 1 | 0 | 1 | 0 | |
| 285 to 524 | 1 | 0 | 0 | 0 | |
| 525 | 1 | 0 | 1 | 0 | |

Table 7 625 lines/50 Hz vertical timing

| LINE NUMBER | F (ITU 656) | V | | | OFTS1 = 1; OFTS0 = 0 |
|-------------|----------------|--------------------------------------|-------------------------|----------|---|
| | | OFTS1 = 0; OFTS0 = 0 (ITU 656) | OFTS1 = 0; OFTS0 = 1 | | |
| | | | VRLN = 0 | VRLN = 1 | |
| 1 to 22 | 0 | 1 | 1 | 1 | according to selected data type via LCR2 to LCR24 (subaddresses 41H to 57H): data types 0 to 14: V = 1; data type 15: V = 0 |
| 23 | 0 | 0 | 1 | 0 | |
| 24 to 309 | 0 | 0 | 0 | 0 | |
| 310 | 0 | 0 | 1 | 0 | |
| 311 and 312 | 0 | 1 | 1 | 1 | |
| 313 to 335 | 1 | 1 | 1 | 1 | |
| 336 | 1 | 0 | 1 | 0 | |
| 337 to 622 | 1 | 0 | 0 | 0 | |
| 623 | 1 | 0 | 1 | 0 | |
| 624 and 625 | 1 | 1 | 1 | 1 | |

9-bit video input processor

SAA7113H

Table 8 Relationship of LCR to line numbers in 525 lines/60 Hz systems (part 1)

| VERTICAL LINE OFFSET VOFF8 TO VOFF0 = 00AH; HORIZONTAL PIXEL OFFSET HOFF10 TO HOFF0 = 354H, FOFF = 1, FASET = 1 | | | | | | | | | | | | | | | | |
|---|--------------|-----|-----|-----|-----|-----|---------------------|-----|-----|------------------|-----|-----|---------------------|-----|-----|-----|
| Line number (1st field) | 519 | 520 | 521 | 522 | 523 | 524 | 525 | 1 | 2 | 3 | 4 | 5 | 6 | 7 | 8 | 9 |
| | active video | | | | | | equalization pulses | | | serration pulses | | | equalization pulses | | | |
| Line number (2nd field) | 257 | 258 | 259 | 260 | 261 | 262 | 263 | 264 | 265 | 266 | 267 | 268 | 269 | 270 | 271 | 272 |
| | active video | | | | | | equalization pulses | | | serration pulses | | | equalization pulses | | | |
| LCR (VOFF = 00AH; HOFF = 354H; FOFF = 1; FASET = 1) | 24 | | | | | | 2 | 3 | 4 | 5 | 6 | 7 | 8 | 9 | | |

Table 9 Relationship of LCR to line numbers in 525 lines/60 Hz systems (part 2)

| VERTICAL LINE OFFSET VOFF8 TO VOFF0 = 00AH; HORIZONTAL PIXEL OFFSET HOFF10 TO HOFF0 = 354H, FOFF = 1, FASET = 1 | | | | | | | | | | | | | | | |
|---|----------------------|-----|-----|-----|-----|-----|-----|-----|-----|-----|-----|-----|--------------|-----|--|
| Line number (1st field) | 10 | 11 | 12 | 13 | 14 | 15 | 16 | 17 | 18 | 19 | 20 | 21 | 22 | 23 | |
| | nominal VBI-lines F1 | | | | | | | | | | | | active video | | |
| Line number (2nd field) | 273 | 274 | 275 | 276 | 277 | 278 | 279 | 280 | 281 | 282 | 283 | 284 | 285 | 286 | |
| | nominal VBI-lines F2 | | | | | | | | | | | | active video | | |
| LCR (VOFF = 00AH; HOFF = 354H; FOFF = 1; FASET = 1) | 10 | 11 | 12 | 13 | 14 | 15 | 16 | 17 | 18 | 19 | 20 | 21 | 22 | 23 | |

Table 10 Relationship of LCR to line numbers in 625 lines/50 Hz systems (part 1)

| VERTICAL LINE OFFSET VOFF8 TO VOFF0 = 007H; HORIZONTAL PIXEL OFFSET HOFF10 TO HOFF0 = 354H, FOFF = 1, FASET = 0 | | | | | | | | | | | | | |
|---|--------------|-----|-----|---------------------|-----|------------------|-----|-----|---------------------|-----|--|--|--|
| Line number (1st field) | 621 | 622 | 623 | 624 | 625 | 1 | 2 | 3 | 4 | 5 | | | |
| | active video | | | equalization pulses | | serration pulses | | | equalization pulses | | | | |
| Line number (2nd field) | 309 | 310 | 311 | 312 | 313 | 314 | 315 | 316 | 317 | 318 | | | |
| | active video | | | equalization pulses | | serration pulses | | | equalization pulses | | | | |
| LCR (VOFF = 007H; HOFF = 354H; FOFF = 1; FASET = 0) | 24 | | | | | | 2 | 3 | 4 | 5 | | | |

9-bit video input processor

SAA7113H

Table 11 Relationship of LCR to line numbers in 625 lines/50 Hz systems (part 2)

| VERTICAL LINE OFFSET VOFF8 TO VOFF0 = 007H; HORIZONTAL PIXEL OFFSET HOFF10 TO HOFF0 = 354H, FOFF = 1, FASET = 0 | | | | | | | | | | | | | | | | | | | | |
|---|----------------------|-----|-----|-----|-----|-----|-----|-----|-----|-----|-----|-----|-----|-----|-----|-----|-----|-----|--------------|-----|
| Line number (1st field) | 6 | 7 | 8 | 9 | 10 | 11 | 12 | 13 | 14 | 15 | 16 | 17 | 18 | 19 | 20 | 21 | 22 | 23 | 24 | 25 |
| | nominal VBI-lines F1 | | | | | | | | | | | | | | | | | | active video | |
| Line number (2nd field) | 319 | 320 | 321 | 322 | 323 | 324 | 325 | 326 | 327 | 328 | 329 | 330 | 331 | 332 | 333 | 334 | 335 | 336 | 337 | 338 |
| | nominal VBI-lines F2 | | | | | | | | | | | | | | | | | | active video | |
| LCR (VOFF = 007H; HOFF = 354H; FOFF = 1; FASET = 0) | 6 | 7 | 8 | 9 | 10 | 11 | 12 | 13 | 14 | 15 | 16 | 17 | 18 | 19 | 20 | 21 | 22 | 23 | 24 | |

Table 12 Location of related programming registers

| NAME | SUBADDRESS, BITS |
|-----------------|-------------------------------|
| VOFF8 to VOFF0 | 5B, D4 and 5A, D7 to D0 |
| HOFF10 to HOFF0 | 5B, D2 to D0 and 59, D7 to D0 |
| FOFF | 5B, D7 |
| FASET | 40, D7 |

9-bit video input processor

SAA7113H

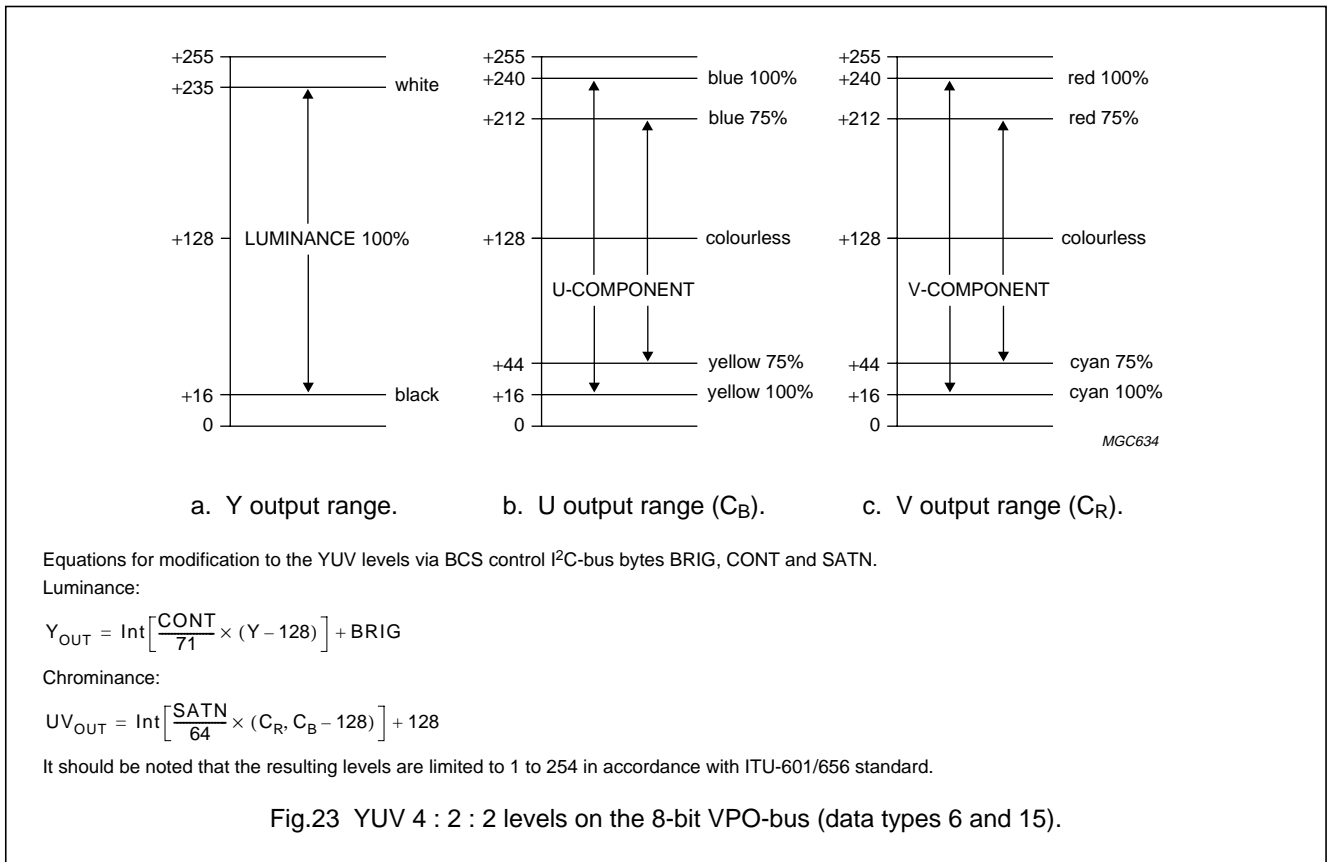


Table 13 YUV data format on the 8-bit VPO-bus (data types 6 and 15)

| BLANKING PERIOD | | | TIMING REFERENCE CODE | | | | 720 PIXELS YUV 4 : 2 : 2 DATA | | | | | | | | | | TIMING REFERENCE CODE | | | | BLANKING PERIOD | | |
|-----------------|----|----|-----------------------|----|----|-----|-------------------------------|----|------------------|----|------------------|----|-----|--------------------|------|----|-----------------------|----|-----|----|-----------------|-----|--|
| ... | 80 | 10 | FF | 00 | 00 | SAV | C _B 0 | Y0 | C _R 0 | Y1 | C _B 2 | Y2 | ... | C _R 718 | Y719 | FF | 00 | 00 | EAV | 80 | 10 | ... | |

Table 14 Explanation to Table 13

| NAME | EXPLANATION |
|------------------|--|
| SAV | start of active video range; see Tables 5 to 7 |
| C _B n | U (B – Y) colour difference component, pixel number n = 0, 2, 4 to 718 |
| Yn | Y (luminance) component, pixel number n = 0, 1, 2, 3 to 719 |
| C _R n | V (R – Y) colour difference component, pixel number n = 0, 2, 4 to 718 |
| EAV | end of active video range; see Tables 5 to 7 |

9-bit video input processor

SAA7113H

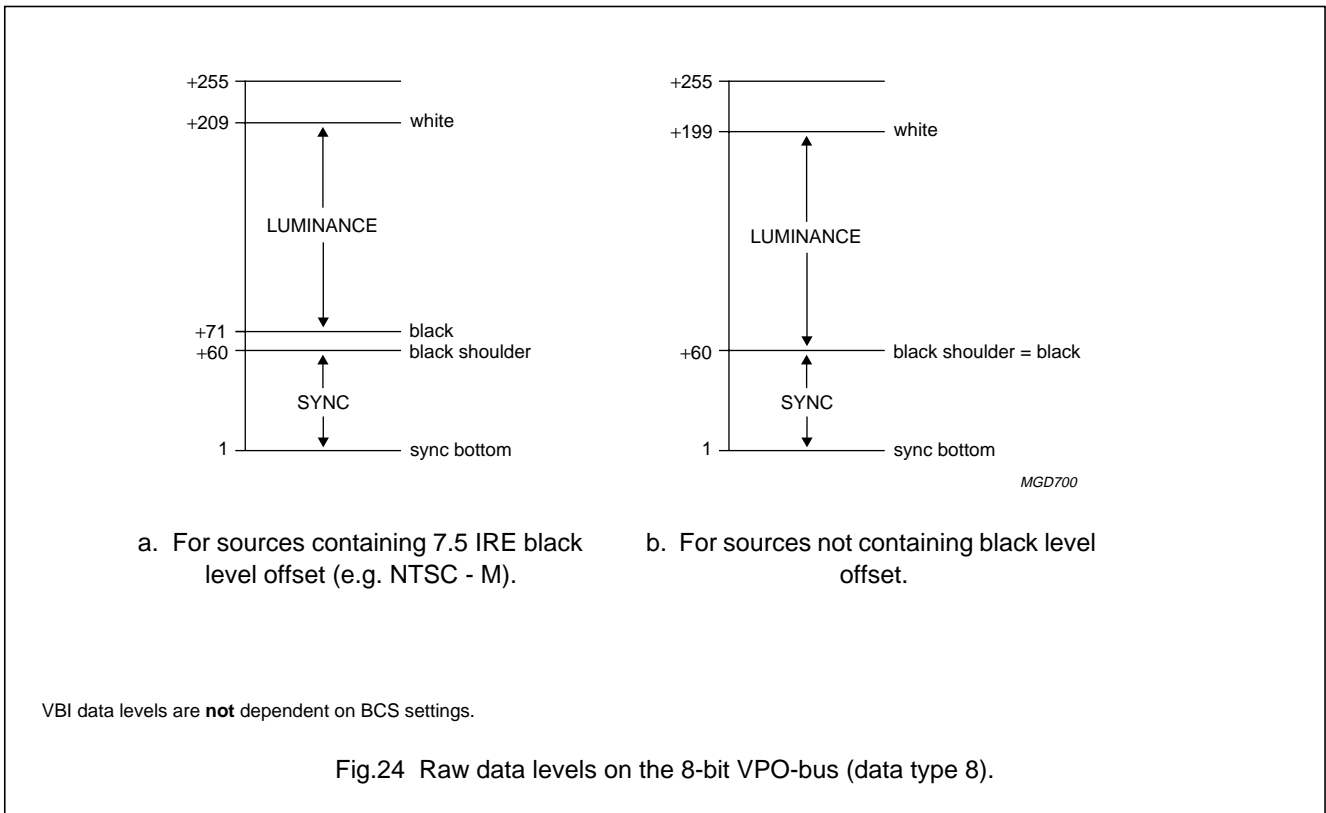


Table 15 Raw data format on the 8-bit VPO-bus (data type 8)

| BLANKING PERIOD | | | TIMING REFERENCE CODE | | | | OVERSAMPLED CVBS SAMPLES | | | | | | | | | | TIMING REFERENCE CODE | | | | BLANKING PERIOD | | |
|-----------------|----|----|-----------------------|----|----|-----|--------------------------|----|----|----|----|----|-----|--------|----|----|-----------------------|----|-----|----|-----------------|-----|--|
| ... | 80 | 10 | FF | 00 | 00 | SAV | Y0 | Y1 | Y2 | Y3 | Y4 | Y5 | ... | Yn - 1 | Yn | FF | 00 | 00 | EAV | 80 | 10 | ... | |

Table 16 Explanation to Table 15

| NAME | EXPLANATION |
|------|---|
| SAV | start of raw sample range; see Tables 5 to 7 |
| Yi | oversampled raw sample stream (CVBS signal), n = 0, 1, 2, 3 to n; n is programmable via HSB and HSS; see Sections 15.2.7 and 15.2.8 |
| EAV | end of raw sample range; see Tables 5 to 7 |

9-bit video input processor

SAA7113H

Table 17 Sliced data format on the 8-bit VPO-bus (data types 0 to 5 and 8 to 14)

| BLANKING PERIOD | | | TIMING REFERENCE CODE | | | | INTERNAL HEADER | | | | SLICED DATA | | | | | TIMING REFERENCE CODE | | | | BLANKING PERIOD | | |
|-----------------|----|----|-----------------------|----|----|-----|-----------------|----|------|------|-------------|------|-----|------|------|-----------------------|----|----|-----|-----------------|----|-----|
| ... | 80 | 10 | FF | 00 | 00 | SAV | SDID | DC | IDI1 | IDI2 | DLN1 | DHN1 | ... | DLNn | DHNn | FF | 00 | 00 | EAV | 80 | 10 | ... |

Table 18 Explanation to Table 17

| NAME | EXPLANATION |
|------|--|
| SAV | start of active data; see Tables 5 to 7 |
| SDID | sliced data identification: NEP ⁽¹⁾ , EP ⁽²⁾ , SDID5 to SDID0, freely programmable via I ² C-bus subaddress 5EH, D5 to D0, e. g. to be used as source identifier |
| DC | Dword count: NEP ⁽¹⁾ , EP ⁽²⁾ , DC5 to DC0; DC is inserted for software compatibility reasons to SAA7112, but does not represent any relevant information for SAA7113H applications. DC describes the number of succeeding 32-bit words: $DC = \frac{1}{4}(C + n)$, where $C = 2$ (the two data identification bytes IDI1 and IDI2) and n = number of decoded bytes according to the chosen text standard. As the sliced data are transmitted nibble wise, the maximum number of bytes transmitted (NBT) starting at IDI1 results to: $NBS = (DC \times 8) - 2$ DC can vary between 1 and 11, depending on the selected data type. Note that the number of bytes actually transmitted can be less than NBT for two reasons: 1. result of DC would result to a non-integer value (DC is always rounded up) 2. standard not recognized (wrong standard or poor input signal) |
| IDI1 | internal data identification 1: OP ⁽³⁾ , FID (field 1 = 0, field 2 = 1), LineNumber8 to LineNumber3 |
| IDI2 | internal data identification 2: OP ⁽³⁾ , LineNumber2 to LineNumber0, DataType3 to DataType0; see Table 4 |
| DLNn | sliced data LOW nibble, format: NEP ⁽¹⁾ , EP ⁽²⁾ , D3 to D0, 1, 1 |
| DLHn | sliced data HIGH nibble, format: NEP ⁽¹⁾ , EP ⁽²⁾ , D7 to D4, 1, 1 |
| EAV | end of active data; see Tables 5 to 7 |

Notes

1. Inverted EP (bit 7); for EP see note 2.
2. Even parity (bit 6) of bits 5 to 0.
3. Odd parity (bit 7) of bits 6 to 0.

9-bit video input processor

SAA7113H

8.11 RTCO output

The real-time control and status output signal contains serial information about the actual system clock (increment of the HPLL), subcarrier frequency, increment and phase (via reset) of the FSC-PLL and PAL sequence bit. The signal can be used for various applications in external circuits, e.g. in a digital encoder to achieve clean encoding. The SAA7113H supports RTC level 3.1 (see external document "RTC Functional Description", available on request).

8.12 RTS0, RTS1 terminals

These two pins are multi functional inputs/output controlled by I²C-bus bits RTSE03 to RTSE00 and RTSE13 to RTSE10, located in subaddress 12H; see Tables 49 and 50.

The RTS0 terminal can be strapped to ground via a 3.3 k Ω resistor to change the I²C-bus slave address from default 4AH/4BH to 48H/49H (the strapping information is read only during the reset sequence).

The RTS1 terminal can be configured as Data Output to 3-state (DOT) input by RTSE13 to RTSE10 = 0000 to control the VPO port (bits 7 to 0) via hardware according to Table 19.

Table 19 Digital output control via RTS1 (enabled by bits RTSE13 to RTSE10 = 0)

| OEYC | DOT (RTS1) | VPO7 TO VPO0 |
|------|------------|--------------|
| 0 | 0 | Z |
| 1 | 0 | active |
| 0 | 1 | Z |
| 1 | 1 | Z |

9 BOUNDARY SCAN TEST

The SAA7113H has built in logic and 5 dedicated pins to support boundary scan testing which allows board testing without special hardware (nails). The SAA7113H follows the "IEEE Std. 1149.1 - Standard Test Access Port and Boundary-Scan Architecture" set by the Joint Test Action Group (JTAG) chaired by Philips.

The 5 special pins are Test Mode Select (TMS), Test Clock (TCK), Test Reset ($\overline{\text{TRST}}$), Test Data Input (TDI) and Test Data Output (TDO).

The BST functions BYPASS, EXTEST, INTEST, SAMPLE, CLAMP and IDCODE are all supported (see Table 20). Details about the JTAG BST-TEST can be found in the specification "IEEE Std. 1149.1". A file containing the detailed Boundary Scan Description Language (BSDL) description of the SAA7113H is available on request.

Table 20 BST instructions supported by the SAA7113H

| INSTRUCTION | DESCRIPTION |
|-------------|--|
| BYPASS | This mandatory instruction provides a minimum length serial path (1 bit) between TDI and TDO when no test operation of the component is required. |
| EXTEST | This mandatory instruction allows testing of off-chip circuitry and board level interconnections. |
| SAMPLE | This mandatory instruction can be used to take a sample of the inputs during normal operation of the component. It can also be used to preload data values into the latched outputs of the boundary scan register. |
| CLAMP | This optional instruction is useful for testing when not all ICs have BST. This instruction addresses the bypass register while the boundary scan register is in external test mode. |
| IDCODE | This optional instruction will provide information on the components manufacturer, part number and version number. |
| INTEST | This optional instruction allows testing of the internal logic (no support for customers available). |
| USER1 | This private instruction allows testing by the manufacturer (no support for customers available). |

9-bit video input processor

SAA7113H

9.1 Initialization of boundary scan circuit

The TAP (Test Access Port) controller of an IC should be in the reset state (TEST_LOGIC_RESET) when the IC is in functional mode. This reset state also forces the instruction register into a functional instruction such as IDCODE or BYPASS.

To solve the power-up reset, the standard specifies that the TAP controller will be forced asynchronously to the TEST_LOGIC_RESET state by setting the TRST pin LOW.

9.2 Device identification codes

A device identification register is specified in "IEEE Std. 1149.1b-1994". It is a 32-bit register which contains fields for the specification of the IC manufacturer, the IC part number and the IC version number. Its biggest advantage is the possibility to check for the correct ICs mounted after production and determination of the version number of ICs during field service.

When the IDCODE instruction is loaded into the BST instruction register, the identification register will be connected between TDI and TDO of the IC. The identification register will load a component specific code during the CAPTURE_DATA_REGISTER state of the TAP controller and this code can subsequently be shifted out. At board level this code can be used to verify component manufacturer, type and version number. The device identification register contains 32 bits, numbered 31 to 0, where bit 31 is the most significant bit (nearest to TDI) and bit 0 is the least significant bit (nearest to TDO); see Fig.25.

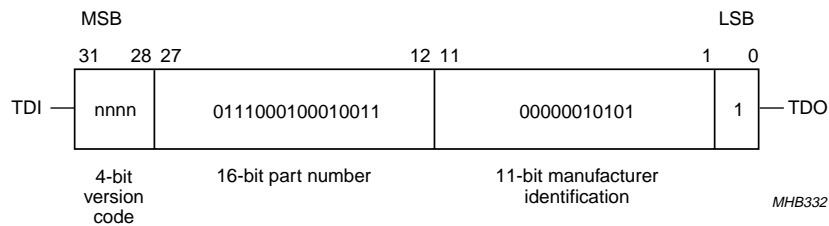


Fig.25 32 bits of identification code.

9-bit video input processor

SAA7113H

10 LIMITING VALUES

In accordance with the Absolute Maximum Rating System (IEC 134); all ground pins connected together and all supply pins connected together.

| SYMBOL | PARAMETER | CONDITIONS | MIN. | MAX. | UNIT |
|-----------------|---|--------------------|-------|------------------------------|------|
| V_{DDD} | digital supply voltage | | -0.5 | +4.6 | V |
| V_{DDA} | analog supply voltage | | -0.5 | +4.6 | V |
| V_{iA} | input voltage at analog inputs | | -0.5 | $V_{DDA} + 0.5$ (4.6 max) | V |
| V_{oA} | output voltage at analog output | | -0.5 | $V_{DDA} + 0.5$ | V |
| V_{iD} | input voltage at digital inputs and outputs | outputs in 3-state | -0.5 | +5.5 | V |
| V_{oD} | output voltage at digital outputs | outputs active | -0.5 | $V_{DDD} + 0.5$ | V |
| ΔV_{SS} | voltage difference between $V_{SSA(all)}$ and $V_{SS(all)}$ | | - | 100 | mV |
| T_{stg} | storage temperature | | -65 | +150 | °C |
| T_{amb} | operating ambient temperature | | 0 | 70 | °C |
| $T_{amb(bias)}$ | operating ambient temperature under bias | | -10 | +80 | °C |
| V_{esd} | electrostatic discharge all pins | note 1 | -2000 | +2000 | V |

Note

- Human body model: equivalent to discharging a 100 pF capacitor through a 1.5 k Ω resistor.

11 THERMAL CHARACTERISTICS

| SYMBOL | PARAMETER | CONDITIONS | VALUE | UNIT |
|---------------|---|-------------|-------|------|
| $R_{th(j-a)}$ | thermal resistance from junction to ambient | in free air | 64 | K/W |

9-bit video input processor

SAA7113H

12 CHARACTERISTICS

$V_{DDDD} = 3.0$ to 3.6 V; $V_{DDDA} = 3.1$ to 3.5 V; $T_{amb} = 25$ °C; unless otherwise specified.

| SYMBOL | PARAMETER | CONDITIONS | MIN. | TYP. | MAX. | UNIT |
|---|--|--|------|---------|------|------------|
| Supplies | | | | | | |
| V_{DDDD} | digital supply voltage | | 3.0 | 3.3 | 3.6 | V |
| I_{DDDD} | digital supply current | | – | 32 | 35 | mA |
| P_D | digital power | | – | 0.10 | – | W |
| V_{DDDA} | analog supply voltage | $V_{DDDA} \leq V_{DDDD} + 200$ mV | 3.1 | 3.3 | 3.5 | V |
| I_{DDDA} | analog supply current | AOSL1 to AOSL0 = 0 | – | 90 | – | mA |
| P_A | analog power | | – | 0.30 | – | W |
| P_{A+D} | analog and digital power | | – | 0.40 | – | W |
| $P_{A+D(pd)}$ | analog and digital power in power-down mode | CE connected to ground | – | 0.07 | – | W |
| Analog part | | | | | | |
| I_{clamp} | clamping current | $V_I = 0.9$ V DC | – | ± 8 | – | μ A |
| $V_{i(p-p)}$ | input voltage (peak-to-peak value) | for normal video levels 1 V (p-p), termination $18/56 \Omega$ and AC coupling required; coupling capacitor = 47 nF | 0.5 | 0.7 | 1.4 | V |
| $ Z_i $ | input impedance | clamping current off | 200 | – | – | k Ω |
| C_i | input capacitance | | – | – | 10 | pF |
| α_{cs} | channel crosstalk | $f_i = 5$ MHz | – | – | –50 | dB |
| 9-bit analog-to-digital converters | | | | | | |
| B | bandwidth | at –3 dB | – | 7 | – | MHz |
| ϕ_{diff} | differential phase (amplifier plus anti-alias filter bypassed) | | – | 2 | – | deg |
| G_{diff} | differential gain (amplifier plus anti-alias filter bypassed) | | – | 2 | – | % |
| $f_{clk(ADC)}$ | ADC clock frequency | | 12.8 | – | 14.3 | MHz |
| DLE | DC differential linearity error | | – | 0.7 | – | LSB |
| ILE | DC integral linearity error | | – | 1 | – | LSB |

9-bit video input processor

SAA7113H

| SYMBOL | PARAMETER | CONDITIONS | MIN. | TYP. | MAX. | UNIT |
|---|---|---|---------------------|------|------------------------|------|
| Digital inputs | | | | | | |
| $V_{IL(SCL,SDA)}$ | LOW-level input voltage pins SDA and SCL | | -0.5 | - | +0.3V _{DDD} | V |
| $V_{IH(SCL,SDA)}$ | HIGH-level input voltage pins SDA and SCL | | 0.7V _{DDD} | - | V _{DDD} + 0.5 | V |
| $V_{IL(xtal)}$ | LOW-level CMOS input voltage pin XTALI | | -0.3 | - | +0.8 | V |
| $V_{IH(xtal)}$ | HIGH-level CMOS input voltage pin XTALI | | 2.0 | - | V _{DDD} + 0.3 | V |
| $V_{IL(n)}$ | LOW-level input voltage all other inputs | | -0.3 | - | +0.8 | V |
| $V_{IH(n)}$ | HIGH-level input voltage all other inputs | | 2.0 | - | 5.5 | V |
| I_{LI} | input leakage current | | - | - | 10 | μA |
| C_i | input capacitance | outputs at 3-state | - | - | 8 | pF |
| $C_{i(n)}$ | input capacitance all other inputs | | - | - | 5 | pF |
| Digital outputs | | | | | | |
| $V_{OL(SCL,SDA)}$ | LOW-level output voltage pins SDA and SCL | SDA/SCL at 3 mA (6 mA) sink current | - | - | 0.4 (0.6) | V |
| V_{OL} | LOW-level output voltage | V _{DDD} = max; I _{OL} = 2 mA | 0 | - | 0.4 | V |
| V_{OH} | HIGH-level output voltage | V _{DDD} = min; I _{OH} = -2 mA | 2.4 | - | V _{DDD} + 0.5 | V |
| $V_{OL(clk)}$ | LOW-level output voltage for LLC clock | | -0.5 | - | +0.6 | V |
| $V_{OH(clk)}$ | HIGH-level output voltage for LLC clock | | 2.4 | - | V _{DDD} + 0.5 | V |
| RTS1 (DOT) input timing | | | | | | |
| $t_{SU;DAT}$ | input data set-up time | | 13 | - | - | ns |
| $t_{HD;DAT}$ | input data hold time | | 3 | - | - | ns |
| Data and control output timing; note 1 | | | | | | |
| C_L | output load capacitance | | 15 | - | 40 | pF |
| $t_{OHD;DAT}$ | output hold time | C _L = 15 pF | 4 | - | - | ns |
| t_{PD} | propagation delay | C _L = 25 pF | - | - | 22 | ns |
| t_{PDZ} | propagation delay to 3-state | | - | - | 22 | ns |

9-bit video input processor

SAA7113H

| SYMBOL | PARAMETER | CONDITIONS | MIN. | TYP. | MAX. | UNIT |
|--|--|----------------------|-----------|----------------|----------|--------------------|
| Clock output timing (LLC); note 2 | | | | | | |
| $C_{L(LLC)}$ | output load capacitance | | 15 | – | 40 | pF |
| T_{cy} | cycle time | LLC | 35 | – | 39 | ns |
| δ_{LLC} | duty factors for t_{LLCH}/t_{LLC} | $C_L = 25$ pF | 40 | – | 60 | % |
| t_r | rise time LLC | | – | – | 5 | ns |
| t_f | fall time LLC | | – | – | 5 | ns |
| Clock input timing (XTALI) | | | | | | |
| δ_{XTALI} | duty factor for t_{XTALIH}/t_{XTALI} | nominal frequency | 40 | – | 60 | % |
| Horizontal PLL | | | | | | |
| f_{Hn} | nominal line frequency | 50 Hz field | – | 15625 | – | Hz |
| | | 60 Hz field | – | 15734 | – | Hz |
| $\Delta f_H/f_{Hn}$ | permissible static deviation | | – | – | 5.7 | % |
| Subcarrier PLL | | | | | | |
| f_{SCn} | nominal subcarrier frequency | PAL BGHIN | – | 4433619 | – | Hz |
| | | NTSC M; NTSC-Japan | – | 3579545 | – | Hz |
| | | PAL M | – | 3575612 | – | Hz |
| | | combination-PAL N | – | 3582056 | – | Hz |
| Δf_{SC} | lock-in range | | ± 400 | – | – | Hz |
| Crystal oscillator | | | | | | |
| f_n | nominal frequency | 3rd harmonic; note 3 | – | 24.576 | – | MHz |
| $\Delta f/f_n$ | permissible nominal frequency deviation | | – | – | ± 50 | 10^{-6} |
| $\Delta T f/f_{n(T)}$ | permissible nominal frequency deviation with temperature | | – | – | ± 20 | 10^{-6} |
| CRYSTAL SPECIFICATION (X1) | | | | | | |
| $T_{amb(X1)}$ | operating ambient temperature | | 0 | – | 70 | $^{\circ}\text{C}$ |
| C_L | load capacitance | | 8 | – | – | pF |
| R_s | series resonance resistor | | – | 40 | 80 | Ω |
| C_1 | motional capacitance | | – | $1.5 \pm 20\%$ | – | fF |
| C_0 | parallel capacitance | | – | $3.5 \pm 20\%$ | – | pF |

Notes

- The levels must be measured with load circuits; 1.2 k Ω at 3 V (TTL load); $C_L = 50$ pF.
- The effects of rise and fall times are included in the calculation of $t_{OHD;DAT}$, t_{PD} and t_{PDZ} . Timings and levels refer to drawings and conditions illustrated in Fig.26.
- Order number: Philips 4322 143 05291.

9-bit video input processor

SAA7113H

Table 21 Processing delay

| FUNCTION | TYPICAL ANALOG DELAY AI22 → ADCIN (AOUT) (ns) | DIGITAL DELAY ADCIN → VPO (LLC CLOCKS); YDEL2 TO YDEL0 = 0 |
|---|--|---|
| Without amplifier or anti-alias filter | 15 | 157 |
| With amplifier, without anti-alias filter | 25 | |
| With amplifier and anti-alias filter | 75 | |

9-bit video input processor

SAA7113H

13 TIMING DIAGRAMS

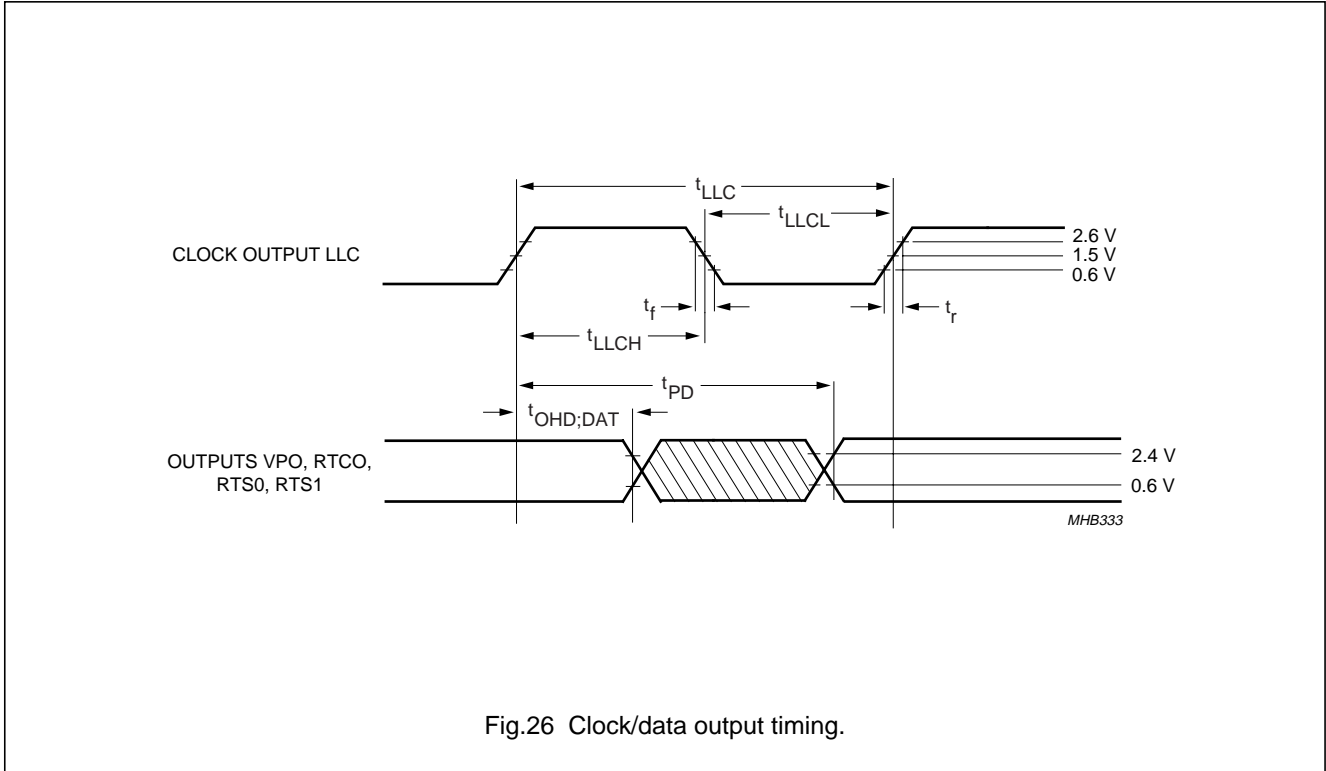


Fig.26 Clock/data output timing.

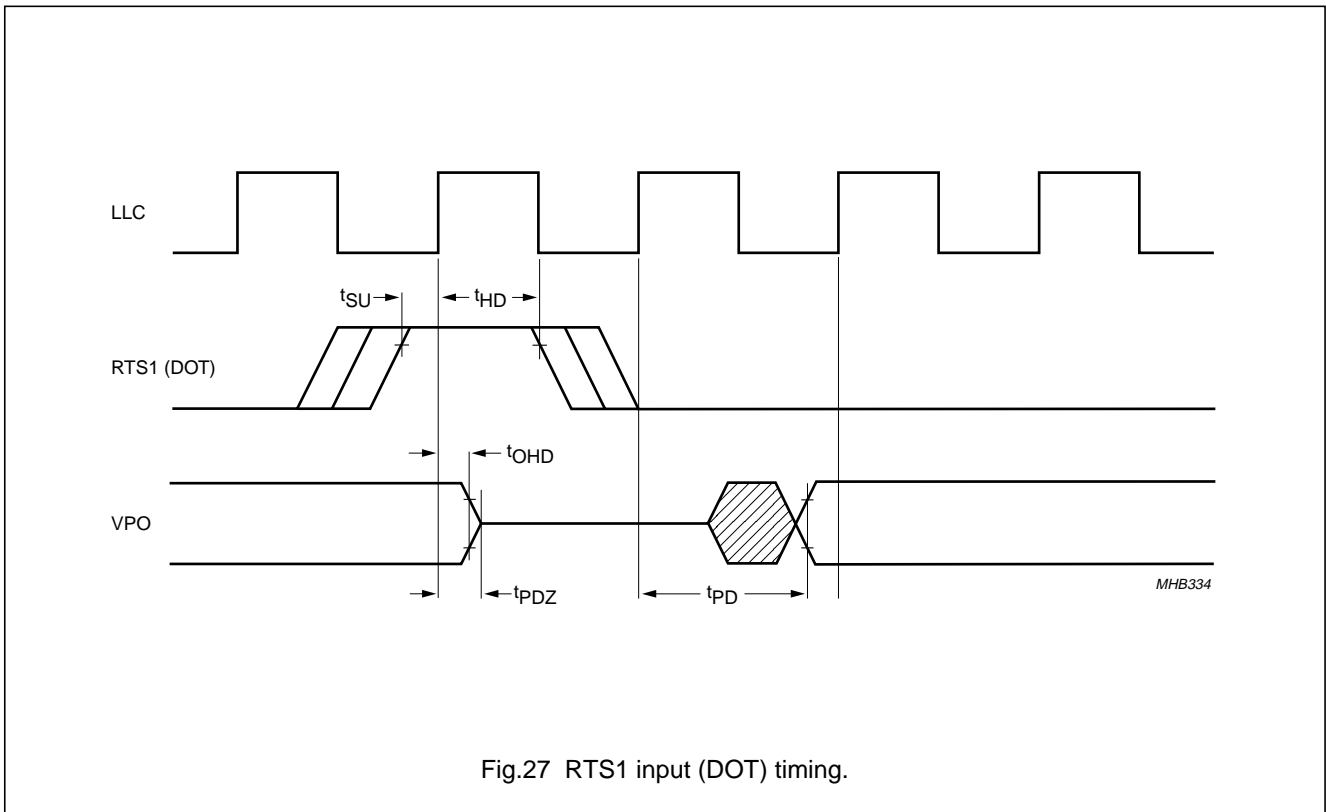
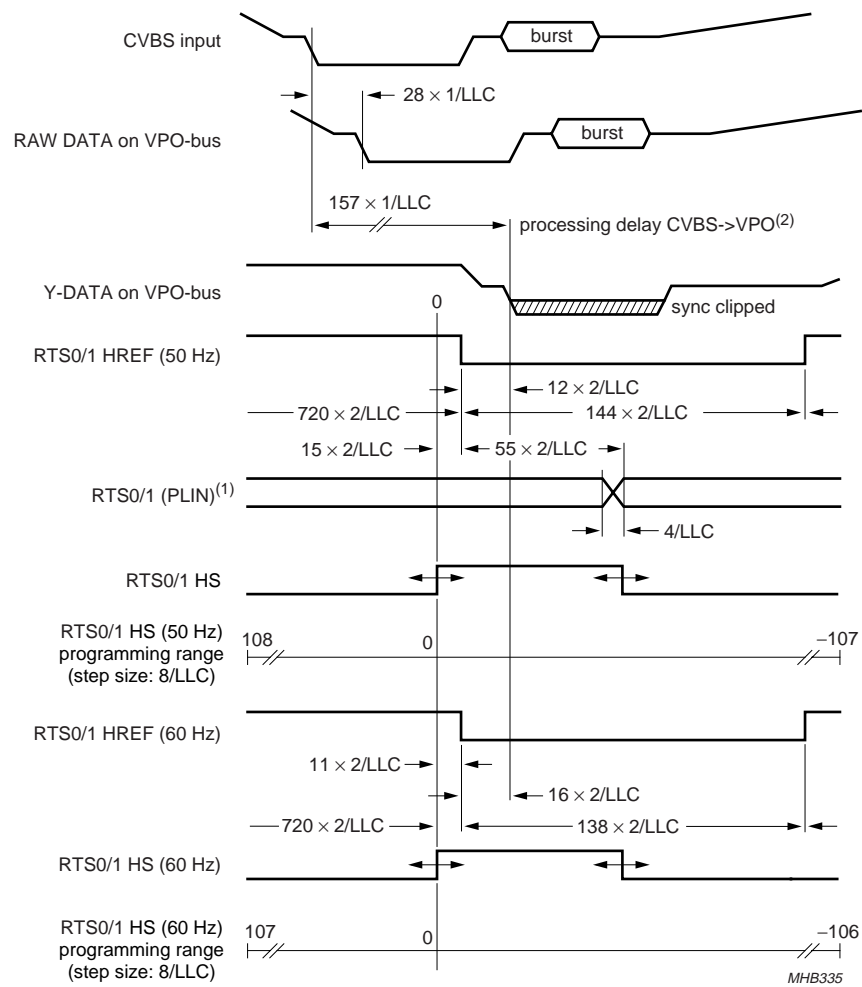


Fig.27 RTS1 input (DOT) timing.

9-bit video input processor

SAA7113H

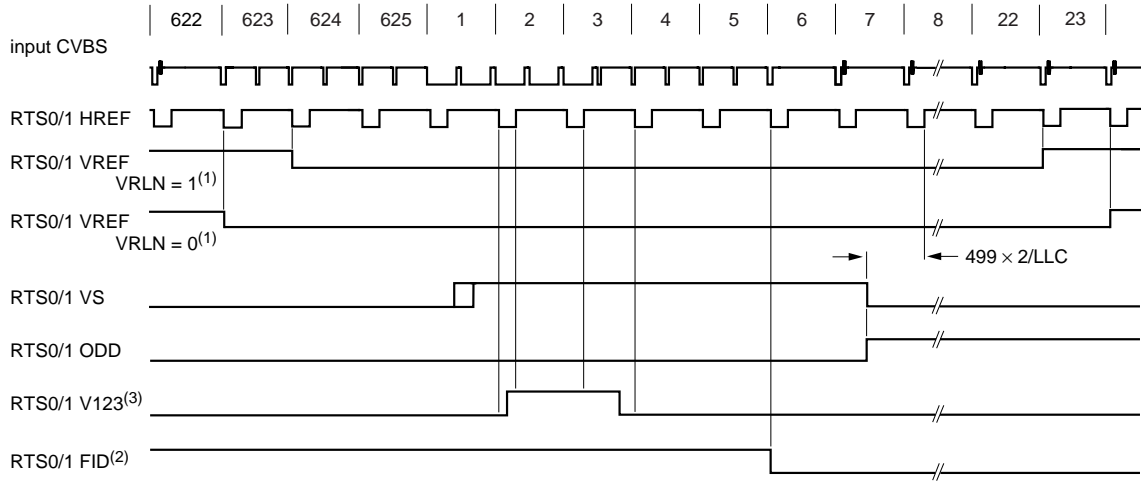


(1) PLIN is switched to outputs RTS0 and/or RTS1 via I²C-bus bits RTSE13 to RTSE10 and/or RTSE03 to RTSE00.
 (2) See Table 21.

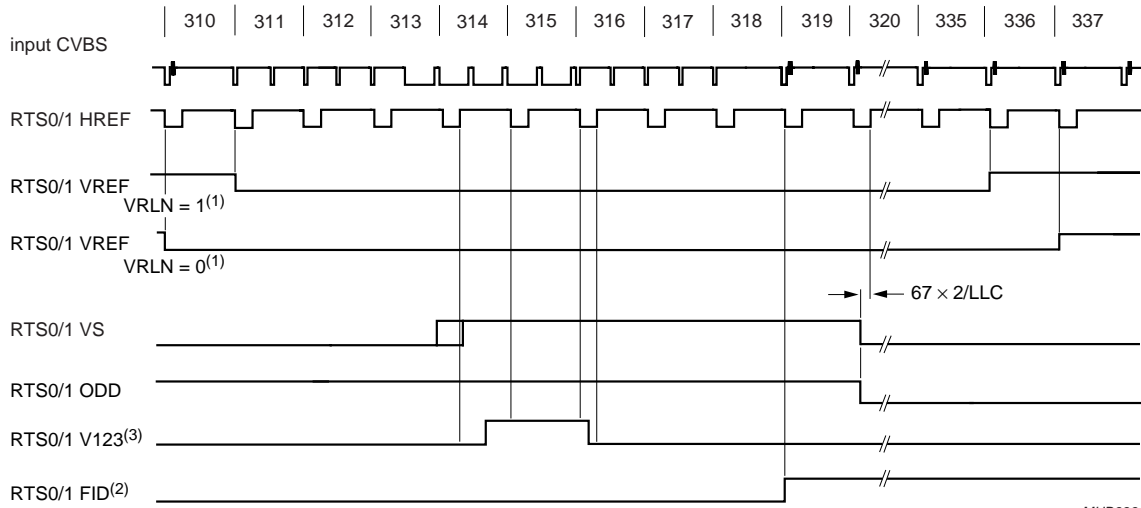
Fig.28 Horizontal timing diagram.

9-bit video input processor

SAA7113H



(a) 1st field



(b) 2nd field

MHB336

HREF: selectable on RTS0 and/or RTS1 via I²C-bus bits RTSE03 to RTSE00 and/or RTSE13 to RTSE10 = 7H.

ODD: selectable on RTS0 and/or RTS1 via I²C-bus bits RTSE03 to RTSE00 and/or RTSE13 to RTSE10 = AH.

VS: selectable on RTS0 and/or RTS1 via I²C-bus bits RTSE03 to RTSE00 and/or RTSE13 to RTSE10 = BH.

V123: selectable on RTS0 and/or RTS1 via I²C-bus bits RTSE03 to RTSE00 and/or RTSE13 to RTSE10 = CH.

VREF: selectable on RTS0 and/or RTS1 via I²C-bus bits RTSE03 to RTSE00 and/or RTSE13 to RTSE10 = EH.

FID: selectable on RTS0 and/or RTS1 via I²C-bus bits RTSE03 to RTSE00 and/or RTSE13 to RTSE10 = FH.

(1) VREF range short or long can be programmed via I²C-bus bit VRLN.

The luminance peaking and the chrominance trap are bypassed during VREF = 0 if I²C-bus bit VBLB is set to logic 1.

The chrominance delay line (chrominance-comb filter for NTSC, phase error correcting for PAL) is disabled during VREF = 0.

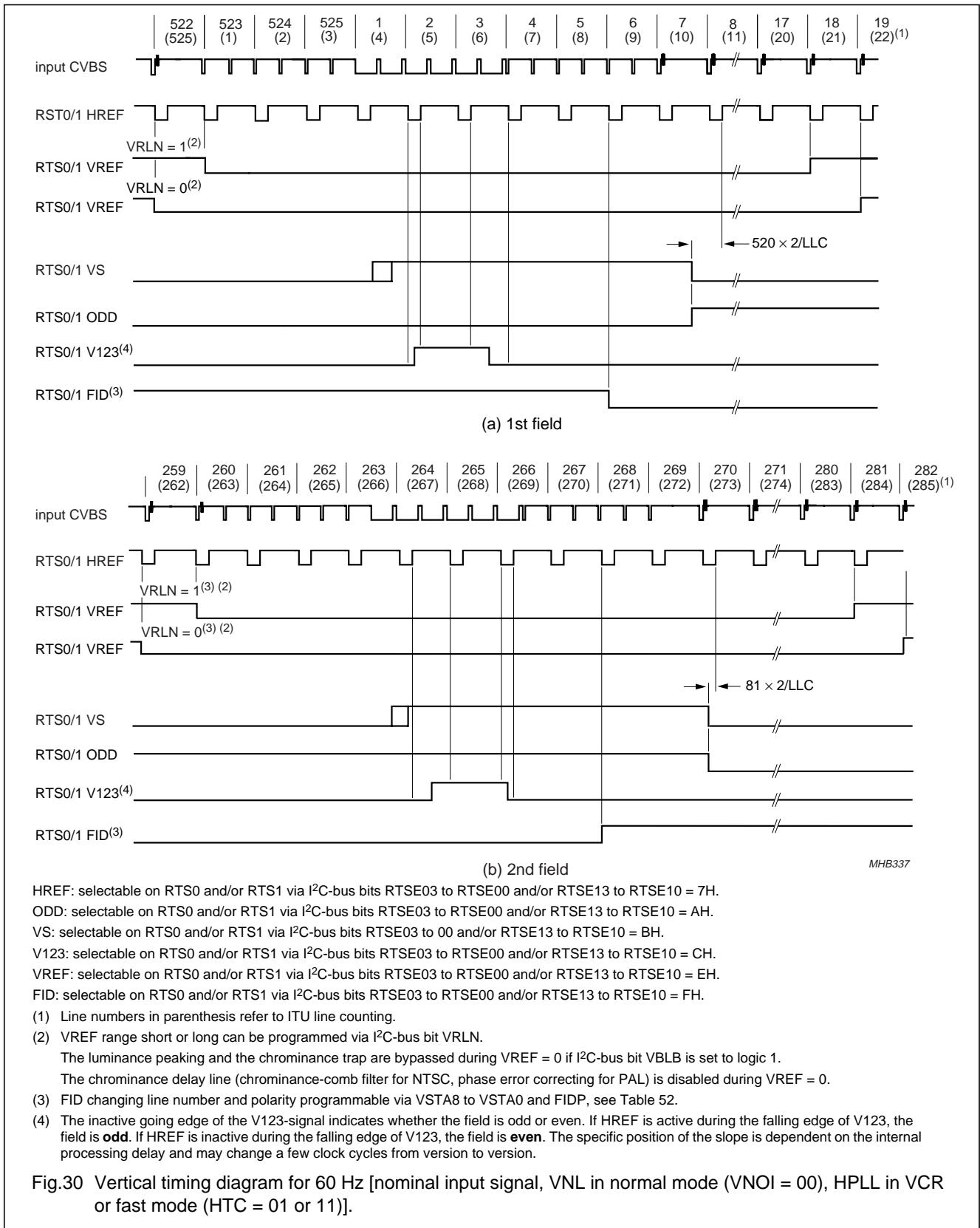
(2) FID changing line number and polarity programmable via VSTA8 to VSTA0 and FIDP, see Table 52.

(3) The inactive going edge of the V123-signal indicates whether the field is odd or even. If HREF is active during the falling edge of V123, the field is **odd**. If HREF is inactive during the falling edge of V123, the field is **even**. The specific position of the slope is dependent on the internal processing delay and may change a few clock cycles from version to version.

Fig.29 Vertical timing diagram for 50 Hz [nominal input signal, VNL in normal mode (VNOI = 00), HPLL in VCR or fast mode (HTC = 01 or 11)].

9-bit video input processor

SAA7113H



9-bit video input processor

SAA7113H

14 APPLICATION INFORMATION

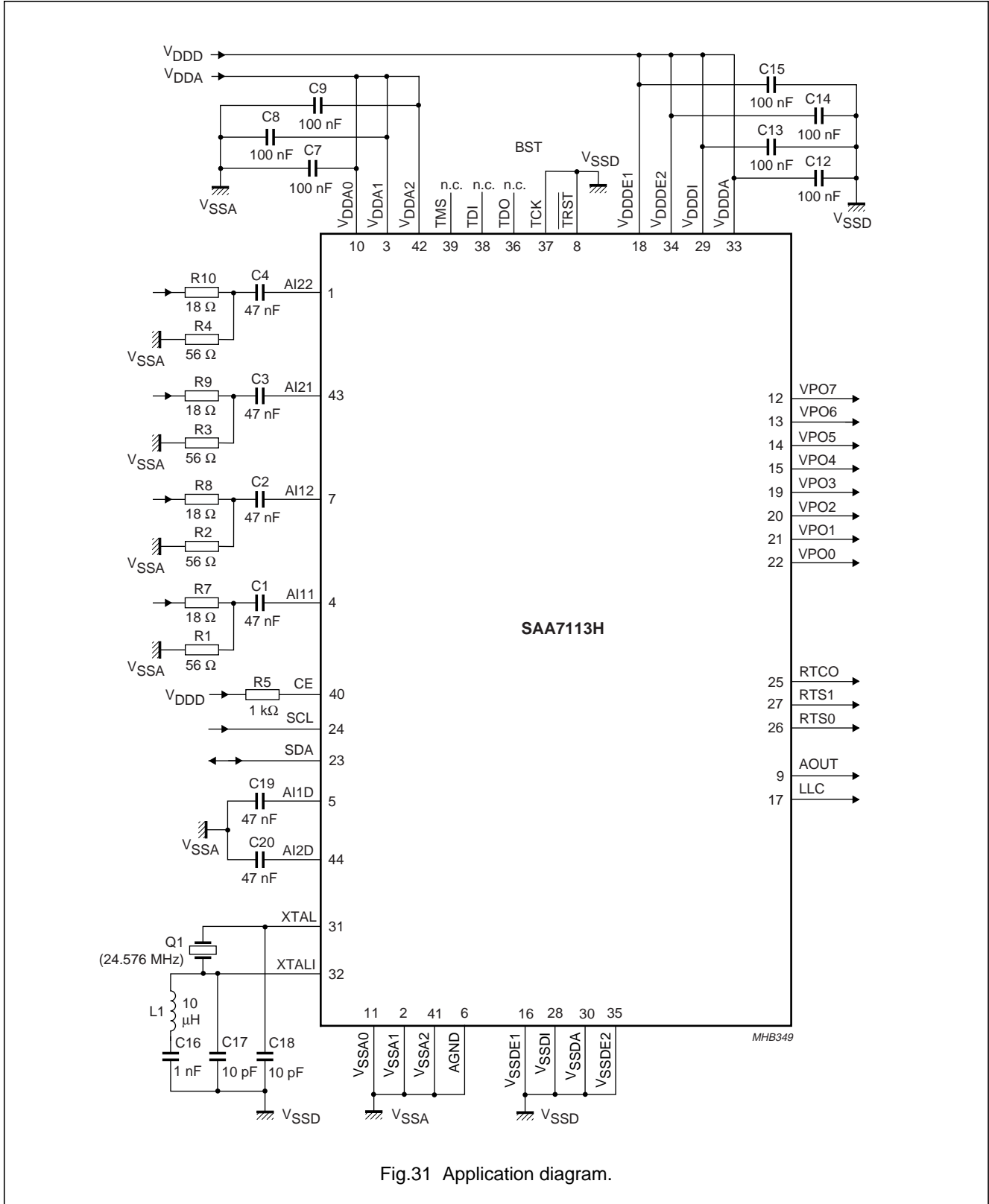
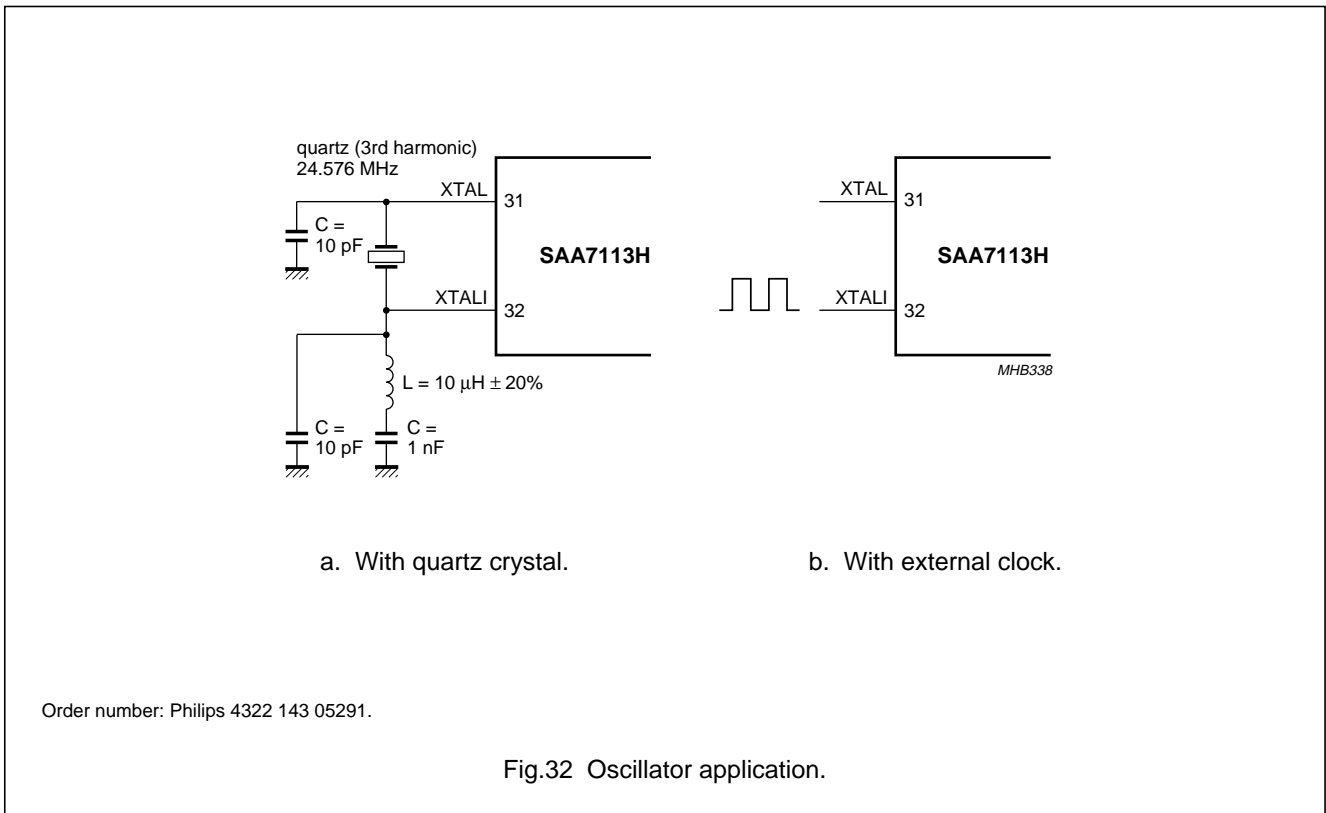


Fig.31 Application diagram.

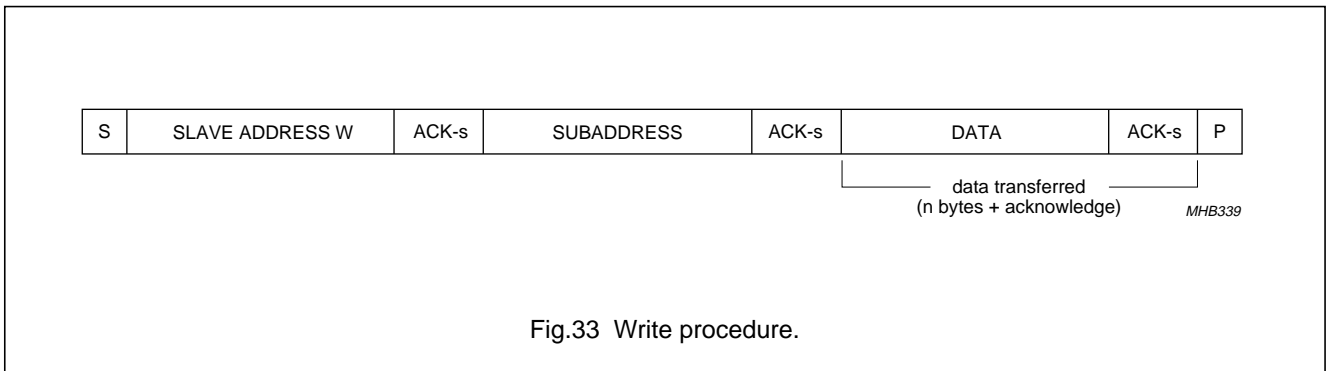
9-bit video input processor

SAA7113H



15 I²C-BUS DESCRIPTION

15.1 I²C-bus format



9-bit video input processor

SAA7113H

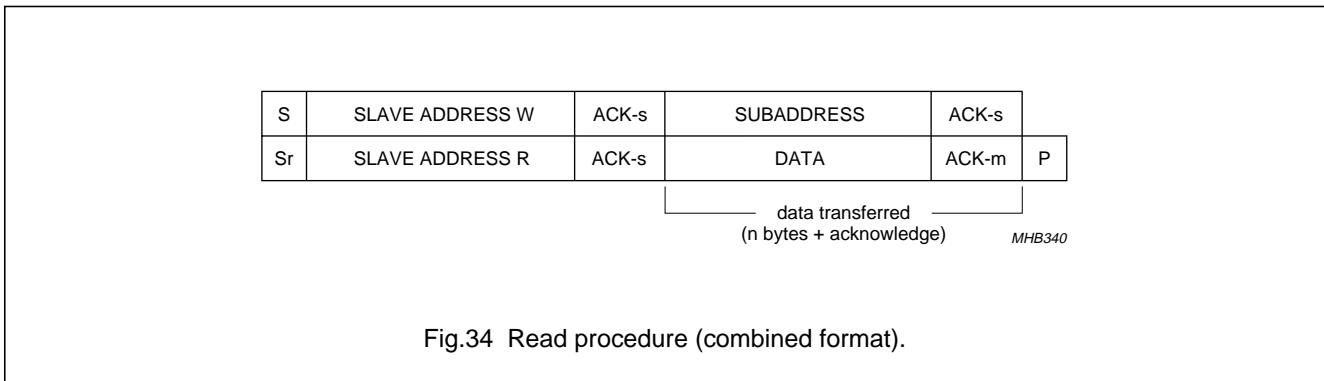


Fig.34 Read procedure (combined format).

Table 22 Description of I²C-bus format; note 1

| CODE | DESCRIPTION | |
|-----------------------|--|----------------|
| S | START condition | |
| Sr | repeated START condition | |
| Slave address W | 0100 1010 (= 4AH, default) or 0100 1000 (= 48H, if pin RTS0 strapped to ground via a 3.3 kΩ resistor) | |
| Slave address R | 0100 1011 (= 4BH, default) or 0100 1001 (= 49H, if pin RTS0 strapped to ground via a 3.3 kΩ resistor) | |
| ACK-s | acknowledge generated by the slave | |
| ACK-m | acknowledge generated by the master | |
| Subaddress | subaddress byte; see Table 24 | |
| Data | data byte; see Table 24; note 2 | |
| P | STOP condition | |
| X = LSB slave address | read/write control bit; X = 0, order to write (the circuit is slave receiver); X = 1, order to read (the circuit is slave transmitter) | |
| Subaddresses | 00H chip version | read only |
| | 01H to 05H front-end part | read and write |
| | 06H to 13H decoder part | read and write |
| | 14H reserved | – |
| | 15H to 17H decoder part | read and write |
| | 18H to 1EH reserved | – |
| | 1FH video decoder status byte | read only |
| | 20H to 3FH reserved | – |
| | 40H to 60H general purpose data slicer | read and write |
| | 60H to 62H general purpose data slicer status | read only |
| 63H to FFH reserved | – | |

Notes

1. The SAA7113H supports the 'fast mode' I²C-bus specification extension (data rate up to 400 kbits/s).
2. If more than one byte DATA is transmitted the subaddress pointer is automatically incremented.

9-bit video input processor

SAA7113H

Table 23 Slave address

| READ | WRITE | DESCRIPTION |
|-------------|--------------|-------------------------|
| 4BH | 4AH | default |
| 49H | 48H | RTS0 strapped to ground |

9-bit video input processor

SAA7113H

Table 24 I²C-bus receiver/transmitter overview

| REGISTER FUNCTION | SUB-ADDR. (HEX) | D7 | D6 | D5 | D4 | D3 | D2 | D1 | D0 |
|------------------------------------|-----------------|--------|--------|--------|--------|--------|--------|--------|--------|
| Chip version (read only) | 00 | ID07 | ID06 | ID05 | ID04 | – | – | – | – |
| Increment delay | 01 | (1) | (1) | (1) | (1) | IDEL3 | IDEL2 | IDEL1 | IDEL0 |
| Analog input control 1 | 02 | FUSE1 | FUSE0 | GUDL1 | GUDL0 | MODE3 | MODE2 | MODE1 | MODE0 |
| Analog input control 2 | 03 | (1) | HLNRS | VBSL | WPOFF | HOLDG | GAFIX | GAI28 | GAI18 |
| Analog input control 3 | 04 | GAI17 | GAI16 | GAI15 | GAI14 | GAI13 | GAI12 | GAI11 | GAI10 |
| Analog input control 4 | 05 | GAI27 | GAI26 | GAI25 | GAI24 | GAI23 | GAI22 | GAI21 | GAI20 |
| Horizontal sync start | 06 | HSB7 | HSB6 | HSB5 | HSB4 | HSB3 | HSB2 | HSB1 | HSB0 |
| Horizontal sync stop | 07 | HSS7 | HSS6 | HSS5 | HSS4 | HSS3 | HSS2 | HSS1 | HSS0 |
| Sync control | 08 | AUFD | FSEL | FOET | HTC1 | HTC0 | HPLL | VNOI1 | VNOI0 |
| Luminance control | 09 | BYPS | PREF | BPSS1 | BPSS0 | VLB | UPTCV | APER1 | APER0 |
| Luminance brightness | 0A | BRIG7 | BRIG6 | BRIG5 | BRIG4 | BRIG3 | BRIG2 | BRIG1 | BRIG0 |
| Luminance contrast | 0B | CONT7 | CONT6 | CONT5 | CONT4 | CONT3 | CONT2 | CONT1 | CONT0 |
| Chroma saturation | 0C | SATN7 | SATN6 | SATN5 | SATN4 | SATN3 | SATN2 | SATN1 | SATN0 |
| Chroma hue control | 0D | HUEC7 | HUEC6 | HUEC5 | HUEC4 | HUEC3 | HUEC2 | HUEC1 | HUEC0 |
| Chroma control | 0E | CDTO | CSTD2 | CSTD1 | CSTD0 | DCCF | FCTC | CHBW1 | CHBW0 |
| Chroma gain control | 0F | ACGC | CGAIN6 | CGAIN5 | CGAIN4 | CGAIN3 | CGAIN2 | CGAIN1 | CGAIN0 |
| Format/delay control | 10 | OFTS1 | OFTS0 | HDEL1 | HDEL0 | VRLN | YDEL2 | YDEL1 | YDEL0 |
| Output control 1 | 11 | GPSW1 | CM99 | GPSW0 | HLSEL | OEYC | OERT | VIPB | COLO |
| Output control 2 | 12 | RTSE13 | RTSE12 | RTSE11 | RTSE10 | RTSE03 | RTSE02 | RTSE01 | RTSE00 |
| Output control 3 | 13 | ADLSB | (1) | (1) | OLDSB | FIDP | (1) | AOSL1 | AOSL0 |
| Reserved | 14 | (1) | (1) | (1) | (1) | (1) | (1) | (1) | (1) |
| V_GATE1_START | 15 | VSTA7 | VSTA6 | VSTA5 | VSTA4 | VSTA3 | VSTA2 | VSTA1 | VSTA0 |
| V_GATE1_STOP | 16 | VSTO7 | VSTO6 | VSTO5 | VSTO4 | VSTO3 | VSTO2 | VSTO1 | VSTO0 |
| V_GATE1_MSB | 17 | (1) | (1) | (1) | (1) | (1) | (1) | VSTO8 | VSTA8 |
| Reserved | 18 to 1E | (1) | (1) | (1) | (1) | (1) | (1) | (1) | (1) |
| Status byte (read only, OLDSB = 0) | 1F | INTL | HLVLN | FIDT | GLIMT | GLIMB | WIPA | COPRO | RDCAP |
| Status byte (read only, OLDSB = 1) | 1F | INTL | HLCK | FIDT | GLIMT | GLIMB | WIPA | SLTCA | CODE |
| Reserved | 20 to 3F | (1) | (1) | (1) | (1) | (1) | (1) | (1) | (1) |

9-bit video input processor

SAA7113H

| REGISTER FUNCTION | SUB-ADDR. (HEX) | D7 | D6 | D5 | D4 | D3 | D2 | D1 | D0 |
|--------------------------------------|-----------------|---------|---------|---------|---------|---------|---------|---------|---------|
| AC1 | 40 | FISET | HAM_N | FCE | HUNT_N | (1) | CLKSEL1 | CLKSEL0 | (1) |
| LCR2 | 41 | LCR02_7 | LCR02_6 | LCR02_5 | LCR02_4 | LCR02_3 | LCR02_2 | LCR02_1 | LCR02_0 |
| LCR3 to LCR23 | 42 to 56 | LCRN_7 | LCRN_6 | LCRN_5 | LCRN_4 | LCRN_3 | LCRN_2 | LCRN_1 | LCRN_0 |
| LCR24 | 57 | LCR24_7 | LCR24_6 | LCR24_5 | LCR24_4 | LCR24_3 | LCR24_2 | LCR24_1 | LCR24_0 |
| FC | 58 | FC7 | FC6 | FC5 | FC4 | FC3 | FC2 | FC1 | FC0 |
| HOFF | 59 | HOFF7 | HOFF6 | HOFF5 | HOFF4 | HOFF3 | HOFF2 | HOFF1 | HOFF0 |
| VOFF | 5A | VOFF7 | VOFF6 | VOFF5 | VOFF4 | VOFF3 | VOFF2 | VOFF1 | VOFF0 |
| HVOFF | 5B | FOFF | (1) | (1) | VOFF8 | (1) | HOFF10 | HOFF9 | HOFF8 |
| For testability | 5C | (1) | (1) | (1) | (1) | (1) | (1) | (1) | (1) |
| Reserved | 5D | (1) | (1) | (1) | (1) | (1) | (1) | (1) | (1) |
| Sliced data identification code SDID | 5E | (1) | (1) | SDID5 | SDID4 | SDID3 | SDID2 | SDID1 | SDID0 |
| Reserved | 5F | (1) | (1) | (1) | (1) | (1) | (1) | (1) | (1) |
| DR (read only) | 60 | – | FC8V | FC7V | VPSV | PPV | CCV | – | – |
| LN1 (read only) | 61 | – | – | F21_N | LN8 | LN7 | LN6 | LN5 | LN4 |
| LN2 (read only) | 62 | LN3 | LN2 | LN1 | LN0 | DT3 | DT2 | DT1 | DT0 |
| Reserved for future extensions | 63 to FF | (1) | (1) | (1) | (1) | (1) | (1) | (1) | (1) |

Note

1. All unused control bits must be programmed with logic 0 to ensure compatibility to future enhancements.

9-bit video input processor

SAA7113H

15.2 I²C-bus detail

The I²C-bus receiver slave address is 48H/49H. Subaddresses 14H, 18H to 1EH, 20H to 3FH and 63H to FFH are reserved.

15.2.1 SUBADDRESS 00H (READ ONLY REGISTER)

Table 25 Chip version SA 00

| FUNCTION | LOGIC LEVELS | | | |
|-------------------|--------------|------|------|------|
| | ID07 | ID06 | ID05 | ID04 |
| Chip Version (CV) | CV3 | CV2 | CV1 | CV0 |

15.2.2 SUBADDRESS 01H

Table 26 Horizontal increment delay

| FUNCTION | IDEL3 | IDEL2 | IDEL1 | IDEL0 |
|-----------------------------|----------|----------|----------|----------|
| No update | 1 | 1 | 1 | 1 |
| Minimum delay | 1 | 1 | 1 | 0 |
| Recommended position | 1 | 0 | 0 | 0 |
| Maximum delay | 0 | 0 | 0 | 0 |

The programming of the horizontal increment delay is used to match internal processing delays to the delay of the ADC. Use recommended position only.

15.2.3 SUBADDRESS 02H

Table 27 Analog control 1 SA 02

| FUNCTION ⁽¹⁾ | CONTROL BITS D3 TO D0 | | | |
|--|-----------------------|--------|--------|--------|
| | MODE 3 | MODE 2 | MODE 1 | MODE 0 |
| Mode 0: CVBS (automatic gain) from AI11 (pin 4) | 0 | 0 | 0 | 0 |
| Mode 1: CVBS (automatic gain) from AI12 (pin 7) | 0 | 0 | 0 | 1 |
| Mode 2: CVBS (automatic gain) from AI21 (pin 43) | 0 | 0 | 1 | 0 |
| Mode 3: CVBS (automatic gain) from AI22 (pin 1) | 0 | 0 | 1 | 1 |
| Mode 4: reserved | 0 | 1 | 0 | 0 |
| Mode 5: reserved | 0 | 1 | 0 | 1 |
| Mode 6: Y (automatic gain) from AI11 (pin 4) + C (gain adjustable via GAI28 to GAI20) from AI21 (pin 43); note 2 | 0 | 1 | 1 | 0 |
| Mode 7: Y (automatic gain) from AI12 (pin 7) + C (gain adjustable via GAI28 to GAI20) from AI22 (pin 1); note 2 | 0 | 1 | 1 | 1 |
| Mode 8: Y (automatic gain) from AI11 (pin 4) + C (gain adapted to Y gain) from AI21 (pin 43); note 2 | 1 | 0 | 0 | 0 |
| Mode 9: Y (automatic gain) from AI12 (pin 7) + C (gain adapted to Y gain) from AI22 (pin 1); note 2 | 1 | 0 | 0 | 1 |
| Modes 10 to 15: reserved | 1 | 1 | 1 | 1 |

Notes

1. Mode select (see Figs 35 to 42).
2. To take full advantage of the YC-modes 6 to 9 the I²C-bus bit BYPS (subaddress 09H, bit 7) should be set to logic 1 (full luminance bandwidth).

9-bit video input processor

SAA7113H

Table 28 Analog control 1 SA 02, D5 and D4 (see Fig.7)

| UPDATE HYSTERESIS FOR 9-BIT GAIN | CONTROL BITS D5 AND D4 | |
|----------------------------------|------------------------|--------|
| | GUDL 1 | GUDL 0 |
| Off | 0 | 0 |
| ±1 LSB | 0 | 1 |
| ±2 LSB | 1 | 0 |
| ±3 LSB | 1 | 1 |

Table 29 Analog control 1 SA 02, D7 and D6 (see Fig.6)

| ANALOG FUNCTION SELECT FUSE | CONTROL BITS D7 AND D6 | |
|---|------------------------|--------|
| | FUSE 1 | FUSE 0 |
| Amplifier plus anti-alias filter bypassed | 0 | 0 |
| | 0 | 1 |
| Amplifier active | 1 | 0 |
| Amplifier plus anti-alias filter active | 1 | 1 |

9-bit video input processor

SAA7113H

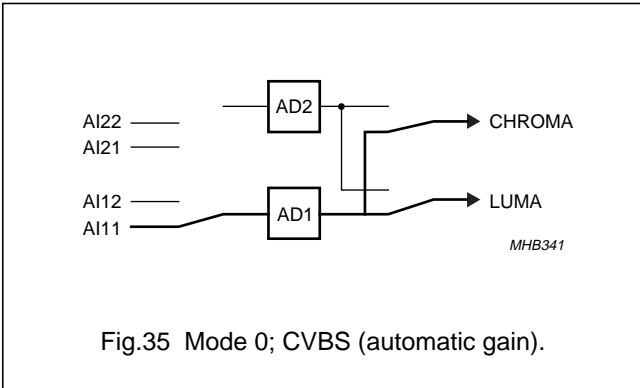


Fig.35 Mode 0; CVBS (automatic gain).

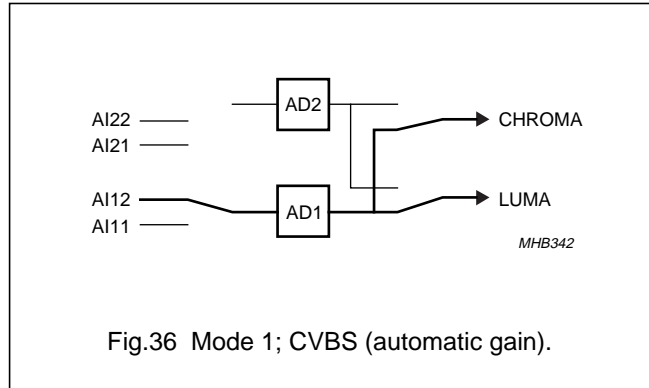


Fig.36 Mode 1; CVBS (automatic gain).

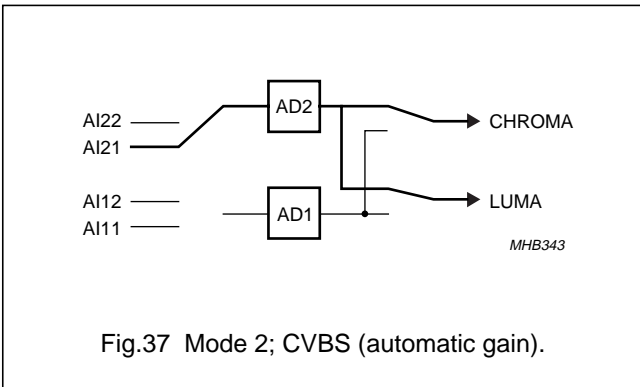


Fig.37 Mode 2; CVBS (automatic gain).

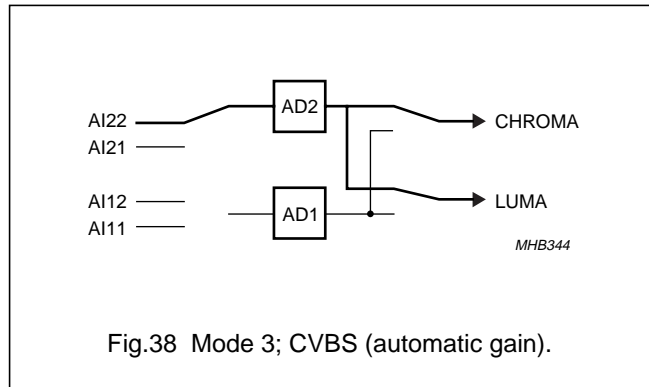


Fig.38 Mode 3; CVBS (automatic gain).

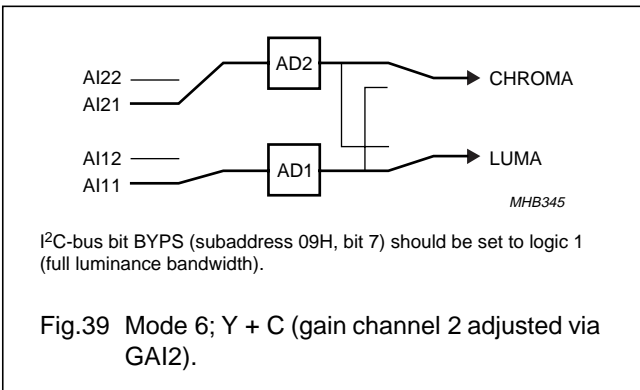


Fig.39 Mode 6; Y + C (gain channel 2 adjusted via GAI2).

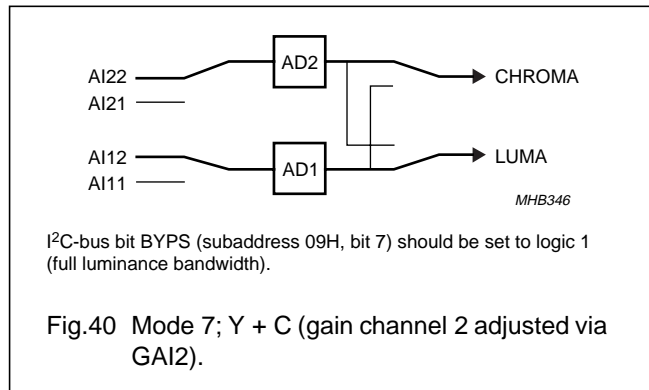


Fig.40 Mode 7; Y + C (gain channel 2 adjusted via GAI2).

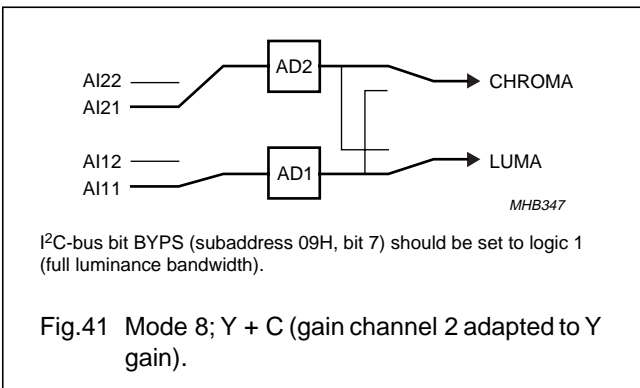


Fig.41 Mode 8; Y + C (gain channel 2 adapted to Y gain).

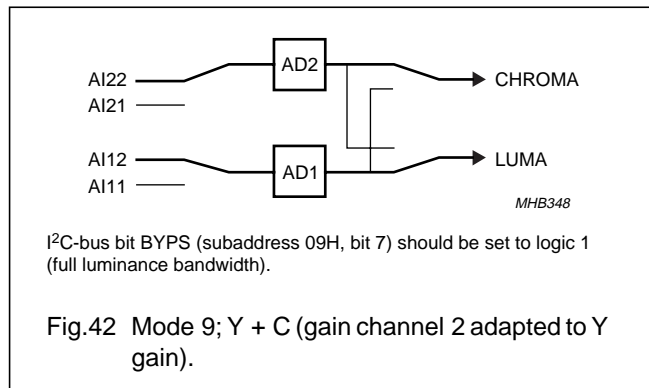


Fig.42 Mode 9; Y + C (gain channel 2 adapted to Y gain).

9-bit video input processor

SAA7113H

15.2.4 SUBADDRESS 03H

Table 30 Analog control 2 (AICO2) SA 03

| FUNCTION | LOGIC LEVEL | DATA BIT |
|--|--------------|----------|
| Static gain control channel 1 (GAI18) (see SA 04) | | |
| Sign bit of gain control | see Table 31 | D0 |
| Static gain control channel 2 (GAI28) (see SA 05) | | |
| Sign bit of gain control | see Table 32 | D1 |
| Gain control fix (GAFIX) | | |
| Automatic gain controlled by MODE3 to MODE0 | 0 | D2 |
| Gain is user programmable via GAI1 + GAI2 | 1 | D2 |
| Automatic gain control integration (HOLDG) | | |
| AGC active | 0 | D3 |
| AGC integration hold (freeze) | 1 | D3 |
| White peak off (WPOFF) | | |
| White peak control active | 0 | D4 |
| White peak off | 1 | D4 |
| AGC hold during vertical blanking period (VBSL) | | |
| Short vertical blanking (AGC disabled during equalization and serration pulses) | 0 | D5 |
| Long vertical blanking (AGC disabled from start of pre-equalization pulses until start of active video (line 22 for 60 Hz, line 24 for 50 Hz)) | 1 | D5 |
| HL not reference select (HLNRS) | | |
| Normal clamping if decoder is in unlocked state | 0 | D6 |
| Reference select if decoder is in unlocked state | 1 | D6 |

15.2.5 SUBADDRESS 04H

Table 31 Gain control analog (AICO3); static gain control channel 1 GAI1 SA 04, D7 to D0

| DECIMAL VALUE | GAIN (dB) | SIGN BIT | CONTROL BITS D7 TO D0 | | | | | | | |
|---------------|-----------|----------|-----------------------|-------|-------|-------|-------|-------|-------|-------|
| | | GAI18 | GAI17 | GAI16 | GAI15 | GAI14 | GAI13 | GAI12 | GAI11 | GAI10 |
| 0... | ≈-3 | 0 | 0 | 0 | 0 | 0 | 0 | 0 | 0 | 0 |
| ...117... | ≈0 | 0 | 0 | 1 | 1 | 1 | 0 | 1 | 0 | 1 |
| ...511 | ≈6 | 1 | 1 | 1 | 1 | 1 | 1 | 1 | 1 | 1 |

9-bit video input processor

SAA7113H

15.2.6 SUBADDRESS 05H

Table 32 Gain control analog (AICO4); static gain control channel 2 GAI2 SA 05, D7 to D0

| DECIMAL VALUE | GAIN (dB) | SIGN BIT (SA 03, D1) | CONTROL BITS D7 TO D0 | | | | | | | |
|---------------|-----------|----------------------|-----------------------|-------|-------|-------|-------|-------|-------|-------|
| | | | GAI28 | GAI27 | GAI26 | GAI25 | GAI24 | GAI23 | GAI22 | GAI21 |
| 0... | ≈-3 | 0 | 0 | 0 | 0 | 0 | 0 | 0 | 0 | 0 |
| ...117... | ≈0 | 0 | 0 | 1 | 1 | 1 | 0 | 1 | 0 | 1 |
| ...511 | ≈6 | 1 | 1 | 1 | 1 | 1 | 1 | 1 | 1 | 1 |

15.2.7 SUBADDRESS 06H

Table 33 Horizontal sync begin SA 06, D7 to D0

| DELAY TIME (STEP SIZE = 8/LLC) | CONTROL BITS D7 TO D0 | | | | | | | |
|--|---|----------|----------|----------|----------|----------|----------|----------|
| | HSB7 | HSB6 | HSB5 | HSB4 | HSB3 | HSB2 | HSB1 | HSB0 |
| -128...-109 (50 Hz) | forbidden (outside available central counter range) | | | | | | | |
| -128...-108 (60 Hz) | | | | | | | | |
| -108 (50 Hz)... | 1 | 0 | 0 | 1 | 0 | 1 | 0 | 0 |
| -107 (60 Hz)... | 1 | 0 | 0 | 1 | 0 | 1 | 0 | 1 |
| ...108 (50 Hz) | 0 | 1 | 1 | 0 | 1 | 1 | 0 | 0 |
| ...107 (60 Hz) | 0 | 1 | 1 | 0 | 1 | 0 | 1 | 1 |
| 109...127 (50 Hz) | forbidden (outside available central counter range) | | | | | | | |
| 108...127 (60 Hz) | | | | | | | | |
| Recommended value for raw data type; see Fig.24 | 1 | 1 | 1 | 0 | 1 | 0 | 0 | 1 |

15.2.8 SUBADDRESS 07H

Table 34 Horizontal sync stop SA 07, D7 to D0

| DELAY TIME (STEP SIZE = 8/LLC) | CONTROL BITS D7 TO D0 | | | | | | | |
|--|---|----------|----------|----------|----------|----------|----------|----------|
| | HSS7 | HSS6 | HSS5 | HSS4 | HSS3 | HSS2 | HSS1 | HSS0 |
| -128...-109 (50 Hz) | forbidden (outside available central counter range) | | | | | | | |
| -128...-108 (60 Hz) | | | | | | | | |
| -108 (50 Hz)... | 1 | 0 | 0 | 1 | 0 | 1 | 0 | 0 |
| -107 (60 Hz)... | 1 | 0 | 0 | 1 | 0 | 1 | 0 | 1 |
| ...108 (50 Hz) | 0 | 1 | 1 | 0 | 1 | 1 | 0 | 0 |
| ...107 (60 Hz) | 0 | 1 | 1 | 0 | 1 | 0 | 1 | 1 |
| 109...127 (50 Hz) | forbidden (outside available central counter range) | | | | | | | |
| 108...127 (60 Hz) | | | | | | | | |
| Recommended value for raw data type; see Fig.24 | 0 | 0 | 0 | 0 | 1 | 1 | 0 | 1 |

9-bit video input processor

SAA7113H

15.2.9 SUBADDRESS 08H

Table 35 Sync control SA 08, D7 to D5, D3 to D0

| FUNCTION | CONTROL BIT | LOGIC LEVEL | DATA BIT |
|---|---------------|-------------|-----------|
| Vertical noise reduction (VNOI) | | | |
| Normal mode (recommended setting) | VNOI1 | 0 | D1 |
| | VNOI0 | 0 | D0 |
| Fast mode [applicable for stable sources only; automatic field detection (AUFD) must be disabled] | VNOI1 | 0 | D1 |
| | VNOI0 | 1 | D0 |
| Free running mode | VNOI1 | 1 | D1 |
| | VNOI0 | 0 | D0 |
| Vertical noise reduction bypassed | VNOI1 | 1 | D1 |
| | VNOI0 | 1 | D0 |
| Horizontal PLL (HPLL) | | | |
| PLL closed | HPLL | 0 | D2 |
| PLL open; horizontal frequency fixed | HPLL | 1 | D2 |
| Horizontal time constant selection (HTC1 and HTC0) | | | |
| TV mode (recommended for poor quality TV signals only; do not use for new applications) | HTC1 and HTC0 | 00 | D4 and D3 |
| VTR mode (recommended if a deflection control circuit is directly connected to SAA7113H) | HTC1 and HTC0 | 01 | D4 and D3 |
| Reserved | HTC1 and HTC0 | 10 | D4 and D3 |
| Fast locking mode (recommended setting) | HTC1 and HTC0 | 11 | D4 and D3 |
| Forced ODD/EVEN toggle FOET | | | |
| ODD/EVEN signal toggles only with interlaced source | FOET | 0 | D5 |
| ODD/EVEN signal toggles fieldwise even if source is non-interlaced | FOET | 1 | D5 |
| Field selection (FSEL) | | | |
| 50 Hz, 625 lines | FSEL | 0 | D6 |
| 60 Hz, 525 lines | FSEL | 1 | D6 |
| Automatic field detection (AUFD) | | | |
| Field state directly controlled via FSEL | AUFD | 0 | D7 |
| Automatic field detection | AUFD | 1 | D7 |

9-bit video input processor

SAA7113H

15.2.10 SUBADDRESS 09H

Table 36 Luminance control SA 09, D7 to D0

| FUNCTION | APER/BPSS BIT | LOGIC LEVEL | DATA BIT |
|---|---------------|-------------|----------|
| Aperture factor (APER); see Figs 12 to 17 | | | |
| Aperture factor = 0 | APER1 | 0 | D1 |
| | APER0 | 0 | D0 |
| Aperture factor = 0.25 | APER1 | 0 | D1 |
| | APER0 | 1 | D0 |
| Aperture factor = 0.5 | APER1 | 1 | D1 |
| | APER0 | 0 | D0 |
| Aperture factor = 1.0 | APER1 | 1 | D1 |
| | APER0 | 1 | D0 |
| Update time interval for analog AGC value (UPTCV) | | | |
| Horizontal update (once per line) | UPTCV | 0 | D2 |
| Vertical update (once per field) | UPTCV | 1 | D2 |
| Vertical blanking luminance bypass (VBLB) | | | |
| Active luminance processing | VBLB | 0 | D3 |
| Chrominance trap and peaking stage are disabled during VBI lines determined by VREF = 0; see Table 45 | VBLB | 1 | D3 |
| Aperture band-pass (centre frequency) (BPSS) | | | |
| Centre frequency = 4.1 MHz | BPSS1 | 0 | D5 |
| | BPSS0 | 0 | D4 |
| Centre frequency = 3.8 MHz; note 1 | BPSS1 | 0 | D5 |
| | BPSS0 | 1 | D4 |
| Centre frequency = 2.6 MHz; note 1 | BPSS1 | 1 | D5 |
| | BPSS0 | 0 | D4 |
| Centre frequency = 2.9 MHz; note 1 | BPSS1 | 1 | D5 |
| | BPSS0 | 1 | D4 |
| Prefilter active (PREF); see Figs 12 to 17 | | | |
| Bypassed | PREF | 0 | D6 |
| Active | PREF | 1 | D6 |
| Chrominance trap bypass (BYPS) | | | |
| Chrominance trap active; default for CVBS mode | BYPS | 0 | D7 |
| Chrominance trap bypassed; default for S-video mode | BYPS | 1 | D7 |

Note

1. Not to be used with bypassed chrominance trap.

9-bit video input processor

SAA7113H

15.2.11 SUBADDRESS 0AH

Table 37 Luminance brightness control BRIG7 to BRIG0 SA 0A

| OFFSET | CONTROL BITS D7 TO D0 | | | | | | | |
|------------------|-----------------------|-------|-------|-------|-------|-------|-------|-------|
| | BRIG7 | BRIG6 | BRIG5 | BRIG4 | BRIG3 | BRIG2 | BRIG1 | BRIG0 |
| 255 (bright) | 1 | 1 | 1 | 1 | 1 | 1 | 1 | 1 |
| 128 (CCIR level) | 1 | 0 | 0 | 0 | 0 | 0 | 0 | 0 |
| 0 (dark) | 0 | 0 | 0 | 0 | 0 | 0 | 0 | 0 |

15.2.12 SUBADDRESS 0BH

Table 38 Luminance contrast control CONT7 to CONT0 SA 0B

| GAIN | CONTROL BITS D7 TO D0 | | | | | | | |
|------------------------|-----------------------|-------|-------|-------|-------|-------|-------|-------|
| | CONT7 | CONT6 | CONT5 | CONT4 | CONT3 | CONT2 | CONT1 | CONT0 |
| 1.999 (maximum) | 0 | 1 | 1 | 1 | 1 | 1 | 1 | 1 |
| 1.109 (CCIR level) | 0 | 1 | 0 | 0 | 0 | 1 | 1 | 1 |
| 1.0 | 0 | 1 | 0 | 0 | 0 | 0 | 0 | 0 |
| 0 (luminance off) | 0 | 0 | 0 | 0 | 0 | 0 | 0 | 0 |
| -1 (inverse luminance) | 1 | 1 | 0 | 0 | 0 | 0 | 0 | 0 |
| -2 (inverse luminance) | 1 | 0 | 0 | 0 | 0 | 0 | 0 | 0 |

15.2.13 SUBADDRESS 0CH

Table 39 Chrominance saturation control SATN7 to SATN0 SA 0C

| GAIN | CONTROL BITS D7 TO D0 | | | | | | | |
|--------------------------|-----------------------|-------|-------|-------|-------|-------|-------|-------|
| | SATN7 | SATN6 | SATN5 | SATN4 | SATN3 | SATN2 | SATN1 | SATN0 |
| 1.999 (maximum) | 0 | 1 | 1 | 1 | 1 | 1 | 1 | 1 |
| 1.0 (CCIR level) | 0 | 1 | 0 | 0 | 0 | 0 | 0 | 0 |
| 0 (colour off) | 0 | 0 | 0 | 0 | 0 | 0 | 0 | 0 |
| -1 (inverse chrominance) | 1 | 1 | 0 | 0 | 0 | 0 | 0 | 0 |
| -2 (inverse chrominance) | 1 | 0 | 0 | 0 | 0 | 0 | 0 | 0 |

15.2.14 SUBADDRESS 0DH

Table 40 Chrominance hue control HUEC7 to HUEC0 SA 0D

| HUE PHASE (DEG) | CONTROL BITS D7 TO D0 | | | | | | | |
|-----------------|-----------------------|-------|-------|-------|-------|-------|-------|-------|
| | HUEC7 | HUEC6 | HUEC5 | HUEC4 | HUEC3 | HUEC2 | HUEC1 | HUEC0 |
| +178.6... | 0 | 1 | 1 | 1 | 1 | 1 | 1 | 1 |
| ...0... | 0 | 0 | 0 | 0 | 0 | 0 | 0 | 0 |
| ...-180 | 1 | 0 | 0 | 0 | 0 | 0 | 0 | 0 |

9-bit video input processor

SAA7113H

15.2.15 SUBADDRESS 0EH

Table 41 Chrominance control SA 0E

| FUNCTION | | CHBW/CSTD BIT | LOGIC LEVEL | DATA BIT |
|---|--|------------------|----------------|----------|
| 50 Hz | 60 Hz | | | |
| Chrominance bandwidth (CHBW0 and CHBW1) | | | | |
| Small bandwidth (≈ 620 kHz) | | CHBW1 | 0 | D1 |
| | | CHBW0 | 0 | D0 |
| Nominal bandwidth (≈ 800 kHz) | | CHBW1 | 0 | D1 |
| | | CHBW0 | 1 | D0 |
| Medium bandwidth (≈ 920 kHz) | | CHBW1 | 1 | D1 |
| | | CHBW0 | 0 | D0 |
| Wide bandwidth ($\approx 1\,000$ kHz) | | CHBW1 | 1 | D1 |
| | | CHBW0 | 1 | D0 |
| Fast colour time constant (FCTC) | | | | |
| Nominal time constant | | FCTC | 0 | D2 |
| Fast time constant | | FCTC | 1 | D2 |
| Disable chrominance comb filter (DCCF) | | | | |
| Chrominance comb filter on (during lines determined by VREF = 1; see Table 45) | | DCCF | 0 | D3 |
| Chrominance comb filter permanently off | | DCCF | 1 | D3 |
| Colour standard selection (CSTD0 to CSTD2); logic levels 100, 110 and 111 are reserved, do not use | | | | |
| PAL BGHIN | NTSC M (or NTSC-Japan with special level adjustment: brightness subaddress 0AH = 95H; contrast subaddress 0BH = 48H) | CSTD2 | 0 | D6 |
| | | CSTD1 | 0 | D5 |
| | | CSTD0 | 0 | D4 |
| NTSC 4.43 (50 Hz) | PAL 4.43 (60 Hz) | CSTD2 | 0 | D6 |
| | | CSTD1 | 0 | D5 |
| | | CSTD0 | 1 | D4 |
| Combination-PAL N | NTSC 4.43 (60 Hz) | CSTD2 | 0 | D6 |
| | | CSTD1 | 1 | D5 |
| | | CSTD0 | 0 | D4 |
| NTSC N | PAL M | CSTD2 | 0 | D6 |
| | | CSTD1 | 1 | D5 |
| | | CSTD0 | 1 | D4 |
| SECAM | reserved | CSTD2 | 1 | D6 |
| | | CSTD1 | 0 | D5 |
| | | CSTD0 | 1 | D4 |

9-bit video input processor

SAA7113H

| FUNCTION | | CHBW/CSTD BIT | LOGIC LEVEL | DATA BIT |
|---|-------|------------------|----------------|----------|
| 50 Hz | 60 Hz | | | |
| Clear DTO (CDTO) | | | | |
| Disabled | | CDTO | 0 | D7 |
| Every time CDTO is set, the internal subcarrier DTO phase is reset to 0° and the RTCO output generates a logic 0 at time slot 68 (see external document "RTC Functional Description", available on request). So an identical subcarrier phase can be generated by an external device (e.g. an encoder). | | CDTO | 1 | D7 |

15.2.16 SUBADDRESS 0FH

Table 42 Chrominance gain control SA 0F (D6 to D0)

| CHROMINANCE GAIN VALUE (IF ACGC IS SET TO LOGIC 1) | CONTROL BITS D6 TO D0 | | | | | | |
|---|-----------------------|--------|--------|--------|--------|--------|--------|
| | CGAIN6 | CGAIN5 | CGAIN4 | CGAIN3 | CGAIN2 | CGAIN1 | CGAIN0 |
| Minimum gain (0.5) | 0 | 0 | 0 | 0 | 0 | 0 | 0 |
| Nominal gain (1.125) | 0 | 1 | 0 | 0 | 1 | 0 | 0 |
| Maximum gain (7.5) | 1 | 1 | 1 | 1 | 1 | 1 | 1 |

Table 43 Chrominance gain control SA 0F (D7)

| AUTOMATIC CHROMINANCE GAIN CONTROL ACGC | D7 |
|---|------|
| | ACGC |
| On | 0 |
| Programmable gain via CGAIN6 to CGAIN0 | 1 |

15.2.17 SUBADDRESS 10H

Table 44 Format/delay control SA 10 (D2 to D0)

| LUMINANCE DELAY COMPENSATION (STEPS IN 2/LLC) | CONTROL BITS D2 TO D0 | | |
|--|-----------------------|-------|-------|
| | YDEL2 | YDEL1 | YDEL0 |
| -4... | 1 | 0 | 0 |
| ...0... | 0 | 0 | 0 |
| ...3 | 0 | 1 | 1 |

9-bit video input processor

SAA7113H

Table 45 VREF pulse position and length VRLN SA 10 (D3)

| VRLN | VREF AT 60 Hz 525 LINES | | | | VREF AT 50 Hz 625 LINES | | | |
|------------------------|-------------------------|-----------|-----------|-----------|-------------------------|------|-------|------|
| | 0 | | 1 | | 0 | | 1 | |
| Length | 240 | | 242 | | 286 | | 288 | |
| Line number | first | last | first | last | first | last | first | last |
| Field 1 ⁽¹⁾ | 19 (22) | 258 (261) | 18 (21) | 259 (262) | 24 | 309 | 23 | 310 |
| Field 2 ⁽¹⁾ | 282 (285) | 521 (524) | 281 (284) | 522 (525) | 337 | 622 | 336 | 623 |

Note

1. The numbers given in parenthesis refer to ITU line counting.

Table 46 Fine position of HS HDEL0 and HDEL1 SA 10 (D5 and D4)

| FINE POSITION OF HS (STEPS IN 2/LLC) | CONTROL BITS D5 AND D4 | |
|--------------------------------------|------------------------|-------|
| | HDEL1 | HDEL0 |
| 0 | 0 | 0 |
| 1 | 0 | 1 |
| 2 | 1 | 0 |
| 3 | 1 | 1 |

Table 47 Output format selection OFTS0 and OFTS1 SA 10 (D7 and D6); see Tables 6 and 7

| V-FLAG GENERATION IN SAV/EAV-CODES | CONTROL BITS D7 AND D6 | |
|---|------------------------|-------|
| | OFTS1 | OFTS0 |
| Standard ITU 656-format | 0 | 0 |
| V-flag in SAV/EAV is generated by VREF | 0 | 1 |
| V-flag in SAV/EAV is generated by data-type | 1 | 0 |
| Reserved | 1 | 1 |

9-bit video input processor

SAA7113H

15.2.18 SUBADDRESS 11H

Table 48 Output control 1 SA 11

| FUNCTION | BIT | LOGIC LEVEL | DATA BIT |
|---|-------|-------------|----------|
| Colour on (COLO) | | | |
| Automatic colour killer | COLO | 0 | D0 |
| Colour forced on | COLO | 1 | D0 |
| YUV decoder bypassed (VIPB) | | | |
| Processed data to VPO output | VIPB | 0 | D1 |
| ADC data to VPO output; dependent on mode settings | VIPB | 1 | D1 |
| Output enable real-time (OERT) | | | |
| RTS0, RTS1, RTCO high-impedance inputs | OERT | 0 | D2 |
| RTS0, RTCO active, RTS1 active, if RTSE13 to RTSE10 = 0000 | OERT | 1 | D2 |
| Output enable YUV data (OEYC) | | | |
| VPO-bus high-impedance | OEYC | 0 | D3 |
| Output VPO-bus active or controlled by RTS1; see Table 19 | OEYC | 1 | D3 |
| Selection of horizontal lock indicator for RTS0, RTS1 outputs | | | |
| Standard horizontal lock indicator (low-passed) | HLSEL | 0 | D4 |
| Fast lock indicator (use is recommended only for high performance input signals) | HLSEL | 1 | D4 |
| General purpose switch [available on pin RTS0, if control byte RTSE03 to RTSE00 (subaddress 12H) is set to 0010] | | | |
| LOW | GPSW0 | 0 | D5 |
| HIGH | GPSW0 | 1 | D5 |
| CM99 compatibility to SAA7199 (CM99) | | | |
| Default value | CM99 | 0 | D6 |
| To be set only if SAA7199 (digital encoder) is used for re-encoding in conjunction with RTCO | CM99 | 1 | D6 |
| General purpose switch [available on pin RTS1, if control byte RTS103 to RTS100 (subaddress 12H) is set to 0010] | | | |
| LOW | GPSW1 | 0 | D7 |
| HIGH | GPSW1 | 1 | D7 |

9-bit video input processor

SAA7113H

15.2.19 SUBADDRESS 12H

Table 49 RTS0 output control SA 12

| RTS0 OUTPUT CONTROL | D3 TO D0 | | | |
|---|----------|--------|--------|--------|
| | RTSE03 | RTSE02 | RTSE01 | RTSE00 |
| Reserved | 0 | 0 | 0 | 0 |
| VIPB (subaddress 11H bit 1) = 0: reserved | 0 | 0 | 0 | 1 |
| VIPB (subaddress 11H bit 1) = 1: LSBs of the 9-bit ADCs | | | | |
| GPSW0 level (subaddress 11H, bit 5) | 0 | 0 | 1 | 0 |
| HL (horizontal lock indicator); selectable via HLSEL (subaddress 11H, bit 4) HSEL = 0: standard horizontal lock indicator HSEL = 1: fast horizontal lock indicator (use is not recommended for sources with unstable timebase e.g. VCRs) | 0 | 0 | 1 | 1 |
| VL (vertical and horizontal lock) | 0 | 1 | 0 | 0 |
| DL (vertical and horizontal lock and colour detected) | 0 | 1 | 0 | 1 |
| PLIN (PAL/SECAM sequence; LOW: PAL/DR line is present) | 0 | 1 | 1 | 0 |
| HREF_HS, horizontal reference signal: indicates valid data on the VPO-bus. The positive slope marks the beginning of a new active line. The pulse width is dependent on the data type selected by the control registers LCR2 to LCR24 (subaddress 41H to 57H; see Tables 4 and 61) data type 0 to 6 8 to 15: HIGH period 1440 LLC-cycles (720 samples; see Fig.28) data type 7 (upsampled raw data): HIGH period programmable in LLC8 steps via HSB7 to HSB0, HSS7 to HSS0 (subaddress 06H and 07H), fine position adjustment via HDEL1 to HDEL0 (subaddress 10H, bits 5 and 4) | 0 | 1 | 1 | 1 |
| HS, programmable width in LLC8 steps via HSB7 to HSB0 and HSS7 to HSS0 (subaddress 06H and 07H), fine position adjustment in LLC2 steps via HDEL1 to HDEL0 (subaddress 10H, bits 5 and 4) | 1 | 0 | 0 | 0 |
| HQ (HREF gated with VREF) | 1 | 0 | 0 | 1 |
| ODD, field identifier; HIGH = odd field; see vertical timing diagrams Figs 29 and 30 | 1 | 0 | 1 | 0 |
| VS (vertical sync; see vertical timing diagrams Figs 29 and 30) | 1 | 0 | 1 | 1 |
| V123 (vertical pulse; see vertical timing diagrams Figs 29 and 30) | 1 | 1 | 0 | 0 |
| VGATE (programmable via VSTA8 to VSTA0 and VSTO8 to VSTO0, subaddresses 15H, 16H and 17H) | 1 | 1 | 0 | 1 |
| VREF (programmable in two positions via VRLN, subaddress 10H, bit 3) | 1 | 1 | 1 | 0 |
| FID (position and polarity programmable via VSTA8 to VSTA0, subaddresses 15H and 17H and FIDP, subaddress 13H bit 3) | 1 | 1 | 1 | 1 |

9-bit video input processor

SAA7113H

Table 50 RTS1 output control SA 12

| RTS1 OUTPUT CONTROL | D7 TO D4 | | | |
|--|----------|--------|--------|--------|
| | RTSE13 | RTSE12 | RTSE11 | RTSE10 |
| 3-state, pin RTS1 is used as DOT input; see Table 19 | 0 | 0 | 0 | 0 |
| VIPB (subaddress 11H bit 1) = 0: reserved | 0 | 0 | 0 | 1 |
| VIPB (subaddress 11H bit 1) = 1: LSBs of the 9-bit ADCs | | | | |
| GPSW1 | 0 | 0 | 1 | 0 |
| HL (horizontal lock indicator); selectable via HLSEL (subaddress 11H, bit 4) HLSEL = 0: standard horizontal lock indicator HLSEL = 1: fast horizontal lock indicator (use is not recommended for sources with unstable timebase e. g. VCRs) | 0 | 0 | 1 | 1 |
| VL (vertical and horizontal lock) | 0 | 1 | 0 | 0 |
| DL (vertical and horizontal lock and colour detected) | 0 | 1 | 0 | 1 |
| PLIN (PAL/SECAM sequence; LOW: PAL/DR line is present) | 0 | 1 | 1 | 0 |
| HREF_HS, horizontal reference signal: indicates valid data on the VPO-bus. The positive slope marks the beginning of a new active line. The pulse width is dependent on the data type selected by the control registers LCR2 to LCR24 (subaddress 41H to 57H; see Tables 4 and 61) data type 0 to 6, 8 to 15: HIGH period 1440 LLC-cycles (720 samples; see Fig.28) data type 7 (upsampled raw data): HIGH period programmable in LLC8 steps via HSB7 to HSB0, HSS7 to HSS0 (subaddress 06H and 07H), fine position adjustment via HDEL1 to HDEL0 (subaddress 10H, bits 5 and 4) | 0 | 1 | 1 | 1 |
| HS, programmable width in LLC8 steps via HSB7 to HSB0 and HSS7 to HSS0 (subaddress 06H and 07H), fine position adjustment in LLC2 steps via HDEL1 to HDEL0 (subaddress 10H, bits 5 and 4) | 1 | 0 | 0 | 0 |
| HQ (HREF gated with VREF) | 1 | 0 | 0 | 1 |
| ODD, field identifier; HIGH = odd field; see vertical timing diagrams Figs 29 and 30 | 1 | 0 | 1 | 0 |
| VS (vertical sync); see vertical timing diagrams Figs 29 and 30 | 1 | 0 | 1 | 1 |
| V123 (vertical pulse); see vertical timing diagrams Figs 29 and 30 | 1 | 1 | 0 | 0 |
| VGATE (programmable via VSTA8 to VSTA0 and VSTO8 to VSTO0, subaddresses 15H, 16H and 17H) | 1 | 1 | 0 | 1 |
| VREF (programmable in two positions via VRLN, subaddress 10H, bit 3) | 1 | 1 | 1 | 0 |
| FID (position and polarity programmable via VSTA 8 to VSTA0, subaddresses 15H and 17H and FIDP, subaddress 13 bit 3) | 1 | 1 | 1 | 1 |

9-bit video input processor

SAA7113H

15.2.20 SUBADDRESS 13H

Table 51 Output control SA 13, D7, D4, D3, D1 and D0

| FUNCTION | BIT | LOGIC LEVEL | DATA BIT |
|--|-------|-------------|----------|
| Analog test select (AOSL) | | | |
| AOUT connected to internal test point 1 | AOSL1 | 0 | D1 |
| | AOSL0 | 0 | D0 |
| AOUT connected to input AD1 | AOSL1 | 0 | D1 |
| | AOSL0 | 1 | D0 |
| AOUT connected to input AD2 | AOSL1 | 1 | D1 |
| | AOSL0 | 0 | D0 |
| AOUT connected to internal test point 2 | AOSL1 | 1 | D1 |
| | AOSL0 | 1 | D0 |
| Field ID polarity if selected on RTS1 or RTS0 outputs if RTSE1, RTSE0 (subaddress 12H) are set to 1111 | | | |
| Default | FIDP | 0 | D3 |
| Inverted | FIDP | 1 | D3 |
| Selection bit for status byte functionality OLDSB | | | |
| Default status information; see Table 55 | OLDSB | 0 | D4 |
| Old status information, for compatibility reasons; see Table 55 | OLDSB | 1 | D4 |
| Analog-to-digital converter output bits on VPO7 to VPO0 in bypass mode (VIPB = 1, used for test purposes) ADLSB; note 1 | | | |
| AD8 to AD1 (MSBs) on VPO7 to VPO0 | ADLSB | 0 | D7 |
| AD7 to AD0 (LSBs) on VPO7 to VPO0 | ADLSB | 1 | D7 |

Note

1. Analog-to-digital converter selection via MODE3 to MODE0 (subaddress 02H; see Figs 35 to 38).

9-bit video input processor

SAA7113H

15.2.21 SUBADDRESS 15H

Table 52 Start of VGATE pulse (01-transition) **and** polarity change of FID pulse

| FIELD | | FRAME LINE COUNTING | DECIMAL VALUE | MSB (SA 17, D0) | CONTROL BITS D7 TO D0 | | | | | | | |
|-------|-----|---------------------|---------------|--------------------|-----------------------|-------|-------|-------|-------|-------|-------|-------|
| | | | | VSTA8 | VSTA7 | VSTA6 | VSTA5 | VSTA4 | VSTA3 | VSTA2 | VSTA1 | VSTA0 |
| 50 Hz | 1st | 1 | 312 | 1 | 0 | 0 | 1 | 1 | 1 | 0 | 0 | 0 |
| | 2nd | 314 | | | | | | | | | | |
| | 1st | 2 | 0... | 0 | 0 | 0 | 0 | 0 | 0 | 0 | 0 | 0 |
| | 2nd | 315 | | | | | | | | | | |
| | 1st | 312 | ...310 | 1 | 0 | 0 | 1 | 1 | 0 | 1 | 1 | 1 |
| | 2nd | 625 | | | | | | | | | | |
| 60 Hz | 1st | 4 | 262 | 1 | 0 | 0 | 0 | 0 | 0 | 1 | 1 | 0 |
| | 2nd | 267 | | | | | | | | | | |
| | 1st | 5 | 0... | 0 | 0 | 0 | 0 | 0 | 0 | 0 | 0 | 0 |
| | 2nd | 268 | | | | | | | | | | |
| | 1st | 265 | ...260 | 1 | 0 | 0 | 0 | 0 | 0 | 1 | 0 | 1 |
| | 2nd | 3 | | | | | | | | | | |

9-bit video input processor

SAA7113H

15.2.22 SUBADDRESS 16H

Table 53 Stop of VGATE pulse (10-transition)

| FIELD | | FRAME LINE COUNTING | DECIMAL VALUE | MSB (SA 17, D0) | CONTROL BITS D7 TO D0 | | | | | | | |
|-------|-----|---------------------|---------------|--------------------|-----------------------|-------|-------|-------|-------|-------|-------|-------|
| | | | | VSTO8 | VSTO7 | VSTO6 | VSTO5 | VSTO4 | VSTO3 | VSTO2 | VSTO1 | VSTO0 |
| 50 Hz | 1st | 1 | 312 | 1 | 0 | 0 | 1 | 1 | 1 | 0 | 0 | 0 |
| | 2nd | 314 | | | | | | | | | | |
| | 1st | 2 | 0... | 0 | 0 | 0 | 0 | 0 | 0 | 0 | 0 | 0 |
| | 2nd | 315 | | | | | | | | | | |
| | 1st | 312 | ...310 | 1 | 0 | 0 | 1 | 1 | 0 | 1 | 1 | 1 |
| | 2nd | 625 | | | | | | | | | | |
| 60 Hz | 1st | 4 | 262 | 1 | 0 | 0 | 0 | 0 | 0 | 1 | 1 | 0 |
| | 2nd | 267 | | | | | | | | | | |
| | 1st | 5 | 0... | 0 | 0 | 0 | 0 | 0 | 0 | 0 | 0 | 0 |
| | 2nd | 268 | | | | | | | | | | |
| | 1st | 265 | ...260 | 1 | 0 | 0 | 0 | 0 | 0 | 1 | 0 | 1 |
| | 2nd | 3 | | | | | | | | | | |

9-bit video input processor

SAA7113H

15.2.23 SUBADDRESS 17H

Table 54 VGATE MSBs

| FUNCTION | LOGIC LEVEL | CONTROL BIT |
|-------------------------|--------------|-------------|
| VSTA8, see SA 15 | | |
| MSB VGATE start | see Table 52 | D0 |
| VSTO8, see SA 16 | | |
| MSB VGATE stop | see Table 53 | D1 |

15.2.24 SUBADDRESS 1FH (READ ONLY REGISTER)

Table 55 Status byte video decoder SA 1F

| I ² C-BUS CONTROL BIT | FUNCTION | DATA BIT |
|----------------------------------|---|----------|
| RDCAP | ready for capture (all internal loops locked); active HIGH (OLDSB = 0) | D0 |
| CODE | colour signal in accordance with selected standard has been detected; active HIGH (OLDSB = 1) | |
| COPRO | copy protected source detected according to macrovision version up to 7.01 (OLDSB = 0) | D1 |
| SLTCA | slow time constant active in WIPA mode; active HIGH (OLDSB = 1) | |
| WIPA | white peak loop is activated; active HIGH | D2 |
| GLIMB | gain value for active luminance channel is limited [min (bottom)]; active HIGH | D3 |
| GLIMT | gain value for active luminance channel is limited [max (top)]; active HIGH | D4 |
| FIDT | identification bit for detected field frequency; LOW = 50 Hz, HIGH = 60 Hz | D5 |
| HLVLN | status bit for horizontal/vertical loop: LOW = locked, HIGH = unlocked (OLDSB = 0) | D6 |
| HLCK | status bit for locked horizontal frequency; LOW = locked, HIGH = unlocked (OLDSB = 1) | |
| INTL | status bit for interlace detection; LOW = non-interlaced, HIGH = interlaced | D7 |

15.2.25 SUBADDRESS 40H

Table 56 Data slicer clock selection

| SLICER SET (40H) | CONTROL BITS D2 AND D1 | |
|---------------------------|------------------------|---------|
| AMPLITUDE SEARCHING | CLKSEL1 | CLKSEL0 |
| Reserved | 00 | |
| 13.5 MHz (default) | 01 | |
| Reserved | 10 | |
| Reserved | 11 | |

Table 57 Amplitude searching

| SLICER SET (40H) | CONTROL BIT D4 |
|---|----------------|
| AMPLITUDE SEARCHING | HUNT_N |
| Amplitude searching active (default) | 0 |
| Amplitude searching stopped | 1 |

9-bit video input processor

SAA7113H

Table 58 Framing code error

| SLICER SET (40H) | CONTROL BIT D5 |
|--------------------------------|----------------|
| FRAMING CODE ERROR | FCE |
| One framing code error allowed | 0 |
| No framing code errors allowed | 1 |

Table 59 Hamming check

| SLICER SET (40H) | CONTROL BIT D6 |
|--|----------------|
| HAMMING CHECK | HAM_N |
| Hamming check for 2 bytes after framing code, dependent on data type (default) | 0 |
| No hamming check | 1 |

Table 60 Field size select

| SLICER SET (40H) | CONTROL BIT D7 |
|-------------------|----------------|
| FIELD SIZE SELECT | FISET |
| 50 Hz field rate | 0 |
| 60 Hz field rate | 1 |

9-bit video input processor

SAA7113H

15.2.26 SUBADDRESS 41H TO 57H

Table 61 LCR register 2 to 24 (41H to 57H); see Table 4

| LCR REGISTER 2 TO 24 (41H TO 57H) | | FRAMING CODE | D7 TO D4 | D3 TO D0 |
|-----------------------------------|--|--------------------|---------------------------|---------------------------|
| | | | DT3 TO DT0 ⁽¹⁾ | DT3 TO DT0 ⁽¹⁾ |
| WST625 | teletext EuroWST, CCST | 27H | 0000 | 0000 |
| CC625 | European closed caption | 001 | 0001 | 0001 |
| VPS | video programming service | 9951H | 0010 | 0010 |
| WSS | wide screen signalling bits | 1E3C1FH | 0011 | 0011 |
| WST525 | US teletext (WST) | 27H | 0100 | 0100 |
| CC525 | US closed caption (line 21) | 001 | 0101 | 0101 |
| Test line | video component signal, VBI region | – | 0110 | 0110 |
| Intercast | oversampled CVBS data | – | 0111 | 0111 |
| General text | teletext | programmable | 1000 | 1000 |
| VITC625 | VITC/EBU time codes (Europe) | programmable | 1001 | 1001 |
| | VITC/SMPTE time codes (USA) | programmable | 1010 | 1010 |
| Reserved | reserved | – | 1011 | 1011 |
| NABTS | US NABTS | – | 1100 | 1100 |
| Japtext | MOJI (Japanese) | programmable (A7H) | 1101 | 1101 |
| JFS | Japanese format switch (L20/22) | programmable | 1110 | 1110 |
| Active video | video component signal, active video region (default) | – | 1111 | 1111 |

Note

1. The assignment of the upper and lower nibbles to the corresponding field depends on the setting of FOFF (subaddress 5B, D7); see Table 62.

Table 62 Setting of FOFF

| FOFF | D7 TO D4 | D3 TO D0 |
|------|----------|----------|
| 0 | field 1 | field 2 |
| 1 | field 2 | field 1 |

9-bit video input processor

SAA7113H

15.2.27 SUBADDRESS 58H

Table 63 Framing code for programmable data types

| SLICER SET (58H) | CONTROL BITS D7 TO D0 |
|---------------------------|-----------------------|
| PROGRAMMABLE FRAMING CODE | FC7 TO FC0 |
| (Default) | 40H |

15.2.28 SUBADDRESS 59H

Table 64 Horizontal offset

| SLICER SET (59H, 5BH) | CONTROL BITS ADDRESS 5BH, DATA BITS D2 TO D0 | CONTROL BITS ADDRESS 59H, DATA BITS D7 TO D0 |
|-----------------------|---|---|
| HORIZONTAL OFFSET | HOFF10 TO HOFF8 | HOFF7 TO HOFF0 |
| Recommended value | 3H | 54H |

15.2.29 SUBADDRESS 5AH

Table 65 Vertical offset

| SLICER SET (5AH, 5BH) | CONTROL BIT 5BH, D4 | CONTROL BITS ADDRESS 5AH, DATA BITS D7 TO D0 |
|---------------------------------|---------------------|---|
| VERTICAL OFFSET | VOFF8 | VOFF7 TO VOFF0 |
| Minimum value 0 | 0 | 0H |
| Maximum value 312 | 1 | 38H |
| Value for 50 Hz 625 lines input | 0 | 07H |
| Value for 60 Hz 525 lines input | 0 | 0AH |

15.2.30 SUBADDRESS 5BH

Table 66 Field offset, MSBs for vertical and horizontal offsets

| SLICER SET (5BH) | CONTROL BIT D7 |
|---|----------------|
| FIELD OFFSET | FOFF |
| No modification of internal field indicator | 0 |
| Invert field indicator (even/odd; default) | 1 |

15.2.31 SUBADDRESS 5EH

Table 67 SDID codes

| SLICER SET (5EH) | D5 | D4 | D3 | D2 | D1 | D0 |
|-------------------------------|-------|-------|-------|-------|-------|-------|
| SDID codes | SDID5 | SDID4 | SDID3 | SDID2 | SDID1 | SDID0 |
| SDID5 to SDID0 = 0H (default) | 0 | 0 | 0 | 0 | 0 | 0 |

9-bit video input processor

SAA7113H

15.2.32 SUBADDRESS 60H (READ-ONLY REGISTER)

Table 68 Slicer status bit (60H) read only

| SLICER STATUS BIT (60H) READ ONLY | CONTROL BIT D2 |
|-------------------------------------|----------------|
| CLOSED CAPTION VALID | CCV |
| No closed caption in the last frame | 0 |
| Closed caption detected | 1 |

Table 69 Slicer status bit (60H) read only

| SLICER STATUS BIT (60H) READ ONLY | CONTROL BIT D3 |
|-----------------------------------|----------------|
| PALplus VALID | PPV |
| No PALplus in the last frame | 0 |
| PALplus detected | 1 |

Table 70 Slicer status bit (60H) read only

| SLICER STATUS BIT (60H) READ ONLY | CONTROL BIT D4 |
|-----------------------------------|----------------|
| VPS VALID | VPSV |
| No VPS in the last frame | 0 |
| VPS detected | 1 |

Table 71 Slicer status bit (60H) read only

| SLICER STATUS BIT (60H) READ ONLY | CONTROL BITS D6 AND D5 | |
|--|------------------------|------------------|
| | FC8V | FC7V |
| FRAMING CODE VALID | | |
| No framing code in the last frame | 0 | 0 |
| Framing code with 1 error detected in the last frame | 0 | 1 |
| Framing code without errors detected in the last frame | 1 | X ⁽¹⁾ |

Note

1. X = don't care.

15.2.33 SUBADDRESS 61H (READ-ONLY REGISTER)

Table 72 Slicer status bits (61H and 62H) read only

| SLICER STATUS BITS (61H AND 62H) READ ONLY | ADDRESS 61H, CONTROL BITS D4 TO D0 | ADDRESS 62H, CONTROL BITS D7 TO D4 |
|--|------------------------------------|------------------------------------|
| Line number | LN8 to LN4 | LN3 to LN0 |

15.2.34 SUBADDRESS 62H (READ-ONLY REGISTER)

Table 73 Slicer status bits (62H) read only

| SLICER STATUS BITS (62H) READ ONLY | CONTROL BITS D3 TO D0 |
|------------------------------------|-----------------------|
| Data type according to Table 4 | DT3 to DT0 |

9-bit video input processor

SAA7113H

16 I²C-BUS START SET-UP

The given values force the following behaviour of the SAA7113H:

- The analog input AI11 expects a signal in CVBS format; analog anti-alias filter and AGC active
- Automatic field detection enabled, PAL BDGHI or NTSC M standard expected
- Standard ITU 656 output format enabled, VBI-data slicer disabled; see Table 74 note 2
- Contrast, brightness and saturation control in accordance with ITU standards
- Chrominance processing with nominal bandwidth (800 kHz).

Table 74 I²C-bus start set-up values

| SUB (HEX) | FUNCTION | NAME ⁽¹⁾ | VALUES (BIN) | | | | | | | | (HEX) |
|--------------|--------------------------|--|--------------|---|---|---|---|---|---|---|-------|
| | | | 7 | 6 | 5 | 4 | 3 | 2 | 1 | 0 | START |
| 00 | chip version | ID07 to ID00 | read only | | | | | | | | |
| 01 | increment delay | X, X, X, X, IDEL | 0 | 0 | 0 | 0 | 1 | 0 | 0 | 0 | 08 |
| 02 | analog input control 1 | FUSE1 and FUSE0, GUDL1 to GUDL0, MODE3 to MODE0 | 1 | 1 | 0 | 0 | 0 | 0 | 0 | 0 | C0 |
| 03 | analog input control 2 | X, HLNRS, VBSL, WPOFF, HOLDG, GAFIX, GAI28 and GAI18 | 0 | 0 | 1 | 1 | 0 | 0 | 1 | 1 | 33 |
| 04 | analog input control 3 | GAI17 to GAI10 | 0 | 0 | 0 | 0 | 0 | 0 | 0 | 0 | 00 |
| 05 | analog input control 4 | GAI27 to GAI20 | 0 | 0 | 0 | 0 | 0 | 0 | 0 | 0 | 00 |
| 06 | horizontal sync start | HSB7 to HSB0 | 1 | 1 | 1 | 0 | 1 | 0 | 0 | 1 | E9 |
| 07 | horizontal sync stop | HSS7 to HSS0 | 0 | 0 | 0 | 0 | 1 | 1 | 0 | 1 | 0D |
| 08 | sync control | AUFD, FSEL, FOET, HTC1, HTC0, HPLL, VNOI1 and VNOI0 | 1 | 0 | 0 | 1 | 1 | 0 | 0 | 0 | 98 |
| 09 | luminance control | BYPS, PREF, BPSS1 and BPSS0, VBLB, UPTCV, APER1 and APER0 | 0 | 0 | 0 | 0 | 0 | 0 | 0 | 1 | 01 |
| 0A | luminance brightness | BRIG7 to BRIG0 | 1 | 0 | 0 | 0 | 0 | 0 | 0 | 0 | 80 |
| 0B | luminance contrast | CONT7 to CONT0 | 0 | 1 | 0 | 0 | 0 | 1 | 1 | 1 | 47 |
| 0C | chrominance saturation | SATN7 to SATN0 | 0 | 1 | 0 | 0 | 0 | 0 | 0 | 0 | 40 |
| 0D | chrominance hue control | HUEC7 to HUEC0 | 0 | 0 | 0 | 0 | 0 | 0 | 0 | 0 | 00 |
| 0E | chrominance control | CDTO, CSTD2 to CSTD0, DCCF, FCTC, CHBW1 and CHBW0 | 0 | 0 | 0 | 0 | 0 | 0 | 0 | 1 | 01 |
| 0F | chrominance gain control | ACGC, CGAIN6 to CGAIN0 | 0 | 0 | 1 | 0 | 1 | 0 | 1 | 0 | 2A |
| 10 | format/delay control | OFTS1 and OFTS0, HDEL1 and HDEL0, VRLN, YDEL2 to YDEL0 | 0 | 0 | 0 | 0 | 0 | 0 | 0 | 0 | 00 |
| 11 | output control 1 | GPSW1, CM99, GPSW0, HLSEL, OEYC, OERT, VIPB and COLO | 0 | 0 | 0 | 0 | 1 | 1 | 0 | 0 | 0C |
| 12 | output control 2 | RTSE13 to RTSE10, RTSE03 to RTSE00 | 0 | 0 | 0 | 0 | 0 | 0 | 0 | 1 | 01 |
| 13 | output control 3 | ADLSB, X, X, OLDSB, FIDP, X, AOSL1 and AOSL0 | 0 | 0 | 0 | 0 | 0 | 0 | 0 | 0 | 00 |
| 14 | reserved | | 0 | 0 | 0 | 0 | 0 | 0 | 0 | 0 | 00 |

9-bit video input processor

SAA7113H

| SUB (HEX) | FUNCTION | NAME ⁽¹⁾ | VALUES (BIN) | | | | | | | | (HEX) |
|--------------|--|--|--------------------|---|---|---|---|---|---|-------------------|-------|
| | | | 7 | 6 | 5 | 4 | 3 | 2 | 1 | 0 | START |
| 15 | VGATE start | VSTA7 to VSTA0 | 0 | 0 | 0 | 0 | 0 | 0 | 0 | 0 | 00 |
| 16 | VGATE stop | VSTO7 to VSTO0 | 0 | 0 | 0 | 0 | 0 | 0 | 0 | 00 | |
| 17 | MSBs for VGATE control | X, X, X, X, X, X, VSTO8 and VSTA8 | 0 | 0 | 0 | 0 | 0 | 0 | 0 | 00 | |
| 18 to 1E | reserved | | 0 | 0 | 0 | 0 | 0 | 0 | 0 | 00 | |
| 1F | decoder status byte | INTL, HVLN, FIDT, GLIMIT, GLIMB, WIPA, COPRP and RDCAP | read-only register | | | | | | | | |
| 20 to 3F | reserved | | 0 | 0 | 0 | 0 | 0 | 0 | 0 | 00 | |
| 40 | slicer control 1 | FISET, HAM_N, FCE and HUNT_N | 0 | 0 | 0 | 0 | 0 | 0 | 1 | 02 ⁽²⁾ | |
| 41 to 57 | line control register 2 to 24 | LCRn7 to LCRn0 | 1 | 1 | 1 | 1 | 1 | 1 | 1 | FF ⁽²⁾ | |
| 58 | programmable framing code | FC7 to FC0 | 0 | 0 | 0 | 0 | 0 | 0 | 0 | 00 | |
| 59 | horizontal offset for slicer | HOFF7 to HOFF0 | 0 | 1 | 0 | 1 | 0 | 1 | 0 | 54 ⁽²⁾ | |
| 5A | vertical offset for slicer | VOFF7 to VOFF0 | 0 | 0 | 0 | 0 | 0 | 1 | 1 | 07 ⁽²⁾ | |
| 5B | field offset and MSBs for horizontal and vertical offset | FOFF, X, X, VOFF8, X, HOFF10 to HOFF8 | 1 | 0 | 0 | 0 | 0 | 0 | 1 | 83 ⁽²⁾ | |
| 5C and 5D | reserved | | 0 | 0 | 0 | 0 | 0 | 0 | 0 | 00 | |
| 5E | sliced data identification code | X, X, SDID5 to SDID0 | 0 | 0 | 0 | 0 | 0 | 0 | 0 | 00 | |
| 5F | reserved | | 0 | 0 | 0 | 0 | 0 | 0 | 0 | 00 | |
| 60 | slicer status byte 1 | X, FC8V, FC7V, VPSV, PPV, CCV, X, X | read-only register | | | | | | | | |
| 61 | slicer status byte 2 | X, X, F21_N, LN8 to LN4 | read-only register | | | | | | | | |
| 62 | | LN3 to LN0, DT3 to DT0 | read-only register | | | | | | | | |

Notes

1. All X values must be set to LOW. For SECAM decoding set register 0EH to 50H.
2. For proper data slicer programming refer to Tables 8 to 11 and 4.

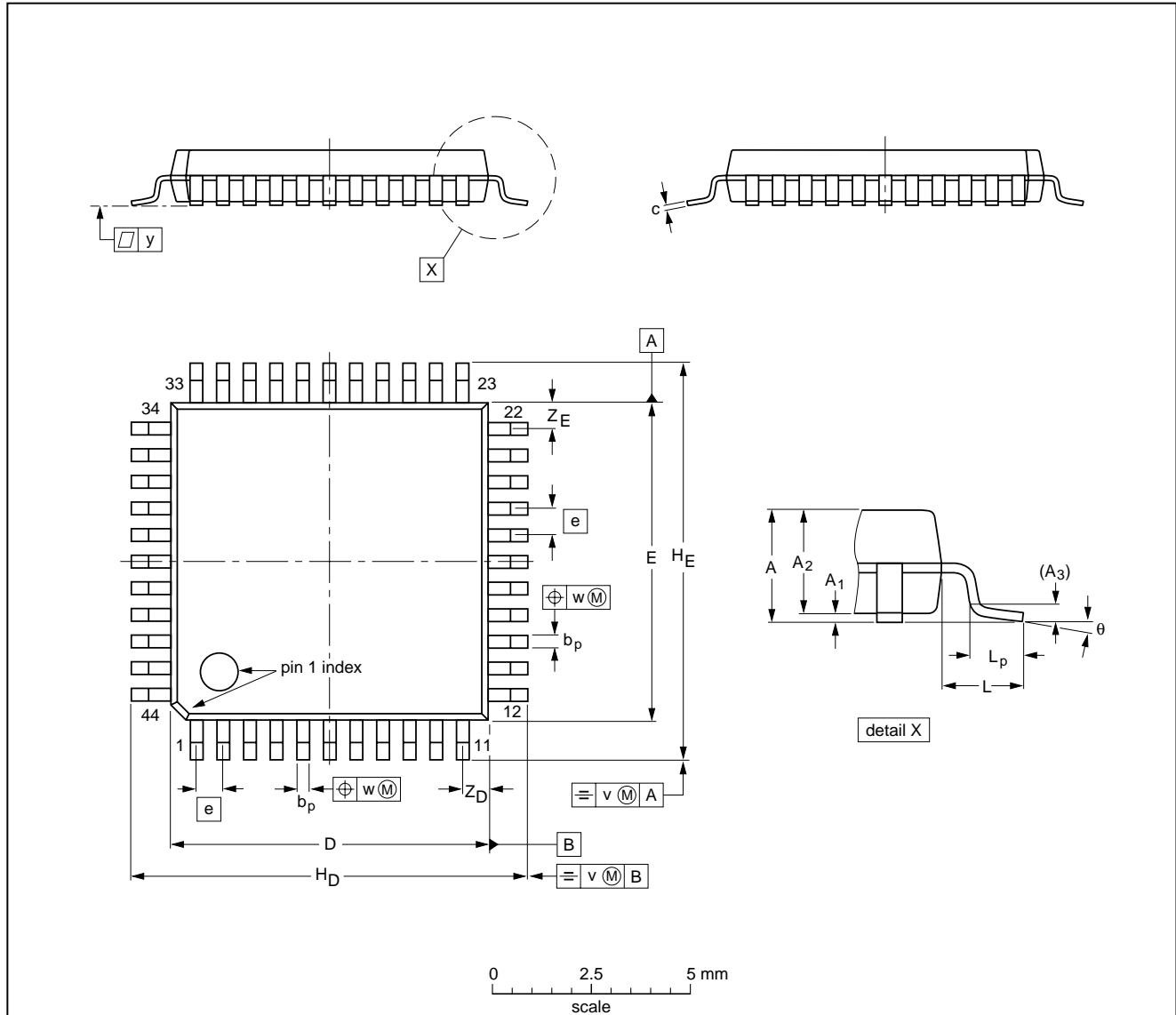
9-bit video input processor

SAA7113H

17 PACKAGE OUTLINE

QFP44: plastic quad flat package; 44 leads (lead length 1.3 mm); body 10 x 10 x 1.75 mm

SOT307-2



DIMENSIONS (mm are the original dimensions)

| UNIT | A max. | A ₁ | A ₂ | A ₃ | b _p | c | D ⁽¹⁾ | E ⁽¹⁾ | e | H _D | H _E | L | L _p | v | w | y | Z _D ⁽¹⁾ | Z _E ⁽¹⁾ | θ |
|------|--------|----------------|----------------|----------------|----------------|--------------|------------------|------------------|-----|----------------|----------------|-----|----------------|------|------|-----|-------------------------------|-------------------------------|-----------|
| mm | 2.10 | 0.25 0.05 | 1.85 1.65 | 0.25 | 0.40 0.20 | 0.25 0.14 | 10.1 9.9 | 10.1 9.9 | 0.8 | 12.9 12.3 | 12.9 12.3 | 1.3 | 0.95 0.55 | 0.15 | 0.15 | 0.1 | 1.2 0.8 | 1.2 0.8 | 10° 0° |

Note

1. Plastic or metal protrusions of 0.25 mm maximum per side are not included.

| OUTLINE VERSION | REFERENCES | | | | EUROPEAN PROJECTION | ISSUE DATE |
|-----------------|------------|-------|------|--|---------------------|----------------------|
| | IEC | JEDEC | EIAJ | | | |
| SOT307-2 | | | | | | 95-02-04 97-08-01 |

9-bit video input processor

SAA7113H

18 SOLDERING**18.1 Introduction to soldering surface mount packages**

This text gives a very brief insight to a complex technology. A more in-depth account of soldering ICs can be found in our *“Data Handbook IC26; Integrated Circuit Packages”* (document order number 9398 652 90011).

There is no soldering method that is ideal for all surface mount IC packages. Wave soldering is not always suitable for surface mount ICs, or for printed-circuit boards with high population densities. In these situations reflow soldering is often used.

18.2 Reflow soldering

Reflow soldering requires solder paste (a suspension of fine solder particles, flux and binding agent) to be applied to the printed-circuit board by screen printing, stencilling or pressure-syringe dispensing before package placement.

Several methods exist for reflowing; for example, infrared/convection heating in a conveyor type oven. Throughput times (preheating, soldering and cooling) vary between 100 and 200 seconds depending on heating method.

Typical reflow peak temperatures range from 215 to 250 °C. The top-surface temperature of the packages should preferably be kept below 230 °C.

18.3 Wave soldering

Conventional single wave soldering is not recommended for surface mount devices (SMDs) or printed-circuit boards with a high component density, as solder bridging and non-wetting can present major problems.

To overcome these problems the double-wave soldering method was specifically developed.

If wave soldering is used the following conditions must be observed for optimal results:

- Use a double-wave soldering method comprising a turbulent wave with high upward pressure followed by a smooth laminar wave.
- For packages with leads on two sides and a pitch (e):
 - larger than or equal to 1.27 mm, the footprint longitudinal axis is **preferred** to be parallel to the transport direction of the printed-circuit board;
 - smaller than 1.27 mm, the footprint longitudinal axis **must** be parallel to the transport direction of the printed-circuit board.

The footprint must incorporate solder thieves at the downstream end.

- For packages with leads on four sides, the footprint must be placed at a 45° angle to the transport direction of the printed-circuit board. The footprint must incorporate solder thieves downstream and at the side corners.

During placement and before soldering, the package must be fixed with a droplet of adhesive. The adhesive can be applied by screen printing, pin transfer or syringe dispensing. The package can be soldered after the adhesive is cured.

Typical dwell time is 4 seconds at 250 °C.

A mildly-activated flux will eliminate the need for removal of corrosive residues in most applications.

18.4 Manual soldering

Fix the component by first soldering two diagonally-opposite end leads. Use a low voltage (24 V or less) soldering iron applied to the flat part of the lead. Contact time must be limited to 10 seconds at up to 300 °C.

When using a dedicated tool, all other leads can be soldered in one operation within 2 to 5 seconds between 270 and 320 °C.

9-bit video input processor

SAA7113H

18.5 Suitability of surface mount IC packages for wave and reflow soldering methods

| PACKAGE | SOLDERING METHOD | |
|-------------------------------|-----------------------------------|-----------------------|
| | WAVE | REFLOW ⁽¹⁾ |
| BGA, SQFP | not suitable | suitable |
| HLQFP, HSQFP, HSOP, SMS | not suitable ⁽²⁾ | suitable |
| PLCC ⁽³⁾ , SO, SOJ | suitable | suitable |
| LQFP, QFP, TQFP | not recommended ⁽³⁾⁽⁴⁾ | suitable |
| SSOP, TSSOP, VSO | not recommended ⁽⁵⁾ | suitable |

Notes

1. All surface mount (SMD) packages are moisture sensitive. Depending upon the moisture content, the maximum temperature (with respect to time) and body size of the package, there is a risk that internal or external package cracks may occur due to vaporization of the moisture in them (the so called popcorn effect). For details, refer to the Drypack information in the "Data Handbook IC26; Integrated Circuit Packages; Section: Packing Methods".
2. These packages are not suitable for wave soldering as a solder joint between the printed-circuit board and heatsink (at bottom version) can not be achieved, and as solder may stick to the heatsink (on top version).
3. If wave soldering is considered, then the package must be placed at a 45° angle to the solder wave direction. The package footprint must incorporate solder thieves downstream and at the side corners.
4. Wave soldering is only suitable for LQFP, TQFP and QFP packages with a pitch (e) equal to or larger than 0.8 mm; it is definitely not suitable for packages with a pitch (e) equal to or smaller than 0.65 mm.
5. Wave soldering is only suitable for SSOP and TSSOP packages with a pitch (e) equal to or larger than 0.65 mm; it is definitely not suitable for packages with a pitch (e) equal to or smaller than 0.5 mm.

9-bit video input processor

SAA7113H

19 DEFINITIONS

| | |
|---|---|
| Data sheet status | |
| Objective specification | This data sheet contains target or goal specifications for product development. |
| Preliminary specification | This data sheet contains preliminary data; supplementary data may be published later. |
| Product specification | This data sheet contains final product specifications. |
| Limiting values | |
| Limiting values given are in accordance with the Absolute Maximum Rating System (IEC 134). Stress above one or more of the limiting values may cause permanent damage to the device. These are stress ratings only and operation of the device at these or at any other conditions above those given in the Characteristics sections of the specification is not implied. Exposure to limiting values for extended periods may affect device reliability. | |
| Application information | |
| Where application information is given, it is advisory and does not form part of the specification. | |

20 LIFE SUPPORT APPLICATIONS

These products are not designed for use in life support appliances, devices, or systems where malfunction of these products can reasonably be expected to result in personal injury. Philips customers using or selling these products for use in such applications do so at their own risk and agree to fully indemnify Philips for any damages resulting from such improper use or sale.

21 PURCHASE OF PHILIPS I²C COMPONENTS

Purchase of Philips I²C components conveys a license under the Philips' I²C patent to use the components in the I²C system provided the system conforms to the I²C specification defined by Philips. This specification can be ordered using the code 9398 393 40011.

9-bit video input processor

SAA7113H

NOTES

Philips Semiconductors – a worldwide company

Argentina: see South America

Australia: 34 Waterloo Road, NORTH RYDE, NSW 2113,
Tel. +61 2 9805 4455, Fax. +61 2 9805 4466

Austria: Computerstr. 6, A-1101 WIEN, P.O. Box 213,
Tel. +43 1 60 101 1248, Fax. +43 1 60 101 1210

Belarus: Hotel Minsk Business Center, Bld. 3, r. 1211, Volodarski Str. 6,
220050 MINSK, Tel. +375 172 20 0733, Fax. +375 172 20 0773

Belgium: see The Netherlands

Brazil: see South America

Bulgaria: Philips Bulgaria Ltd., Energoproject, 15th floor,
51 James Bourchier Blvd., 1407 SOFIA,
Tel. +359 2 68 9211, Fax. +359 2 68 9102

Canada: PHILIPS SEMICONDUCTORS/COMPONENTS,
Tel. +1 800 234 7381, Fax. +1 800 943 0087

China/Hong Kong: 501 Hong Kong Industrial Technology Centre,
72 Tat Chee Avenue, Kowloon Tong, HONG KONG,
Tel. +852 2319 7888, Fax. +852 2319 7700

Colombia: see South America

Czech Republic: see Austria

Denmark: Sydhavnsgade 23, 1780 COPENHAGEN V,
Tel. +45 33 29 3333, Fax. +45 33 29 3905

Finland: Sinikalliontie 3, FIN-02630 ESPOO,
Tel. +358 9 615 800, Fax. +358 9 6158 0920

France: 51 Rue Carnot, BP317, 92156 SURESNES Cedex,
Tel. +33 1 4099 6161, Fax. +33 1 4099 6427

Germany: Hammerbrookstraße 69, D-20097 HAMBURG,
Tel. +49 40 2353 60, Fax. +49 40 2353 6300

Hungary: see Austria

India: Philips INDIA Ltd, Band Box Building, 2nd floor,
254-D, Dr. Annie Besant Road, Worli, MUMBAI 400 025,
Tel. +91 22 493 8541, Fax. +91 22 493 0966

Indonesia: PT Philips Development Corporation, Semiconductors Division,
Gedung Philips, Jl. Buncit Raya Kav.99-100, JAKARTA 12510,
Tel. +62 21 794 0040 ext. 2501, Fax. +62 21 794 0080

Ireland: Newstead, Clonskeagh, DUBLIN 14,
Tel. +353 1 7640 000, Fax. +353 1 7640 200

Israel: RAPAC Electronics, 7 Kehilat Saloniki St, PO Box 18053,
TEL AVIV 61180, Tel. +972 3 645 0444, Fax. +972 3 649 1007

Italy: PHILIPS SEMICONDUCTORS, Piazza IV Novembre 3,
20124 MILANO, Tel. +39 02 67 52 2531, Fax. +39 02 67 52 2557

Japan: Philips Bldg 13-37, Kohnan 2-chome, Minato-ku,
TOKYO 108-8507, Tel. +81 3 3740 5130, Fax. +81 3 3740 5057

Korea: Philips House, 260-199 Itaewon-dong, Yongsan-ku, SEOUL,
Tel. +82 2 709 1412, Fax. +82 2 709 1415

Malaysia: No. 76 Jalan Universiti, 46200 PETALING JAYA, SELANGOR,
Tel. +60 3 750 5214, Fax. +60 3 757 4880

Mexico: 5900 Gateway East, Suite 200, EL PASO, TEXAS 79905,
Tel. +9-5 800 234 7381, Fax +9-5 800 943 0087

Middle East: see Italy

Netherlands: Postbus 90050, 5600 PB EINDHOVEN, Bldg. VB,
Tel. +31 40 27 82785, Fax. +31 40 27 88399

New Zealand: 2 Wagener Place, C.P.O. Box 1041, AUCKLAND,
Tel. +64 9 849 4160, Fax. +64 9 849 7811

Norway: Box 1, Manglerud 0612, OSLO,
Tel. +47 22 74 8000, Fax. +47 22 74 8341

Pakistan: see Singapore

Philippines: Philips Semiconductors Philippines Inc.,
106 Valero St. Salcedo Village, P.O. Box 2108 MCC, MAKATI,
Metro MANILA, Tel. +63 2 816 6380, Fax. +63 2 817 3474

Poland: Ul. Lukiska 10, PL 04-123 WARSZAWA,
Tel. +48 22 612 2831, Fax. +48 22 612 2327

Portugal: see Spain

Romania: see Italy

Russia: Philips Russia, Ul. Usatcheva 35A, 119048 MOSCOW,
Tel. +7 095 755 6918, Fax. +7 095 755 6919

Singapore: Lorong 1, Toa Payoh, SINGAPORE 319762,
Tel. +65 350 2538, Fax. +65 251 6500

Slovakia: see Austria

Slovenia: see Italy

South Africa: S.A. PHILIPS Pty Ltd., 195-215 Main Road Martindale,
2092 JOHANNESBURG, P.O. Box 58088 Newville 2114,
Tel. +27 11 471 5401, Fax. +27 11 471 5398

South America: Al. Vicente Pinzon, 173, 6th floor,
04547-130 SÃO PAULO, SP, Brazil,
Tel. +55 11 821 2333, Fax. +55 11 821 2382

Spain: Balmes 22, 08007 BARCELONA,
Tel. +34 93 301 6312, Fax. +34 93 301 4107

Sweden: Kottbygatan 7, Akalla, S-16485 STOCKHOLM,
Tel. +46 8 5985 2000, Fax. +46 8 5985 2745

Switzerland: Allmendstrasse 140, CH-8027 ZÜRICH,
Tel. +41 1 488 2741 Fax. +41 1 488 3263

Taiwan: Philips Semiconductors, 6F, No. 96, Chien Kuo N. Rd., Sec. 1,
TAIPEI, Taiwan Tel. +886 2 2134 2886, Fax. +886 2 2134 2874

Thailand: PHILIPS ELECTRONICS (THAILAND) Ltd.,
209/2 Sanpavuth-Bangna Road Prakanong, BANGKOK 10260,
Tel. +66 2 745 4090, Fax. +66 2 398 0793

Turkey: Yukari Dudullu, Org. San. Blg., 2.Cad. Nr. 28 81260 Umraniye,
ISTANBUL, Tel. +90 216 522 1500, Fax. +90 216 522 1813

Ukraine: PHILIPS UKRAINE, 4 Patrice Lumumba str., Building B, Floor 7,
252042 KIEV, Tel. +380 44 264 2776, Fax. +380 44 268 0461

United Kingdom: Philips Semiconductors Ltd., 276 Bath Road, Hayes,
MIDDLESEX UB3 5BX, Tel. +44 208 730 5000, Fax. +44 208 754 8421

United States: 811 East Arques Avenue, SUNNYVALE, CA 94088-3409,
Tel. +1 800 234 7381, Fax. +1 800 943 0087

Uruguay: see South America

Vietnam: see Singapore

Yugoslavia: PHILIPS, Trg N. Pasica 5/v, 11000 BEOGRAD,
Tel. +381 11 62 5344, Fax. +381 11 63 5777

For all other countries apply to: Philips Semiconductors,
International Marketing & Sales Communications, Building BE-p, P.O. Box 218,
5600 MD EINDHOVEN, The Netherlands, Fax. +31 40 27 24825

Internet: <http://www.semiconductors.philips.com>

© Philips Electronics N.V. 1999

SCA 66

All rights are reserved. Reproduction in whole or in part is prohibited without the prior written consent of the copyright owner.

The information presented in this document does not form part of any quotation or contract, is believed to be accurate and reliable and may be changed without notice. No liability will be accepted by the publisher for any consequence of its use. Publication thereof does not convey nor imply any license under patent- or other industrial or intellectual property rights.

Printed in The Netherlands

545006/01/pp80

Date of release: 1999 Jul 01

Document order number: 9397 750 04567

Let's make things better.

**Philips
Semiconductors**



PHILIPS

This datasheet has been download from:

www.datasheetcatalog.com

Datasheets for electronics components.