

Dieter's Nixie Tube Data Archive

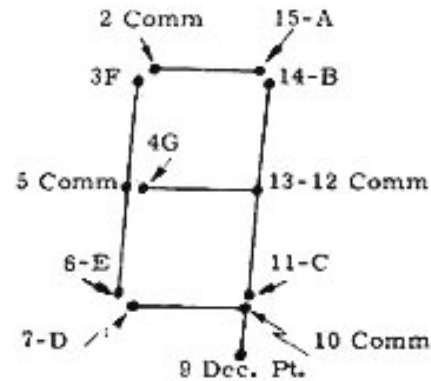
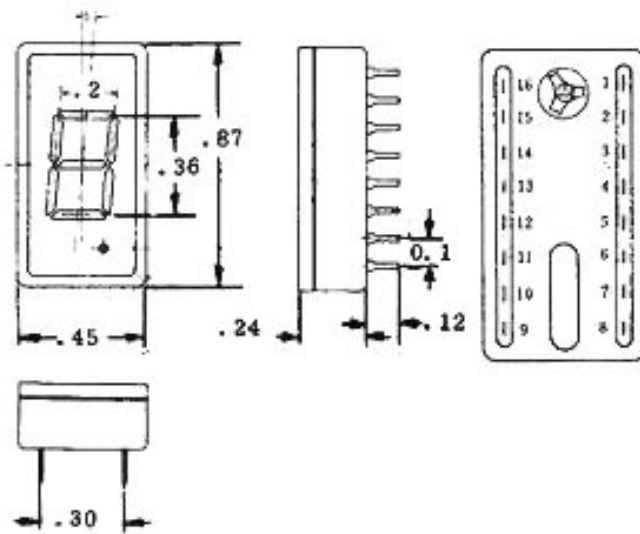
This file is a part of Dieter's Nixie- and display tubes data archive

If you have more datasheets, articles, books, pictures or other information about Nixie tubes or other display devices please let me know.

Thank you!

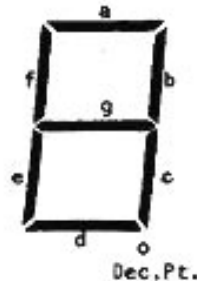
Document in this file	datasheet: 3015F and 3015G Numitron tubes
Display devices in this document	3015F, 3015G

3015F MINITRON DISPLAY APPLICATION DATA

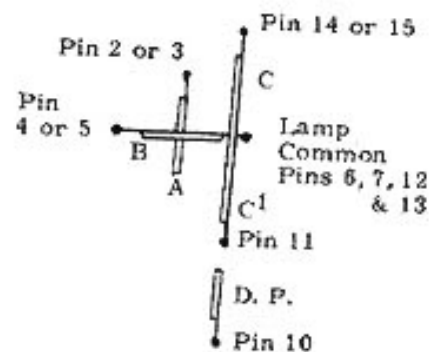
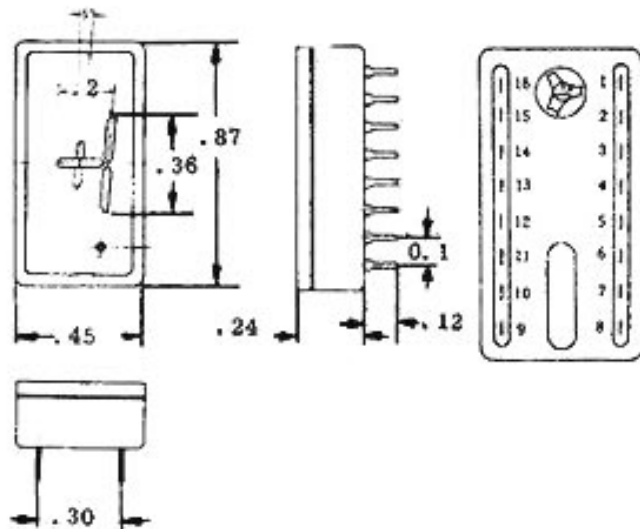


Note: Buss all commons to + lamp supply. Ground return is through decoder/driver.

- Recommended operating voltage . . . 4.5 to 6.5V
- Current per segment 8mA @ 5VDC
- Life expectancy 50,000 hours @ 5VDC
- Viewing angle (included angle) . . . 100°
- Temperature range -50°C to +70°C
- Lens Borosilicate glass
- Filaments Tungsten
- Contacts Kovar



PLUS-MINUS INDICATOR MINITRON MODEL 3015-G



NOTES:

- (1) Nos. 6, 7, 9, 12 and 13 are common pins of plus or minus sign. Buss together on the outside.
- (2) Nos. 1, 8 and 16 - no connection.
- (3) Voltage requirement - 5 VDC
- (4) Current requirement - 8mA per segment
- (5) Fits standard 16 pin DIP socket. Size identical to 3015F.
- (6) Pricing identical to 3015F. Types may be mixed for quantity price reductions.

FILAMENT CHARACTERISTICS

3015F AND 3015G

